



## Television

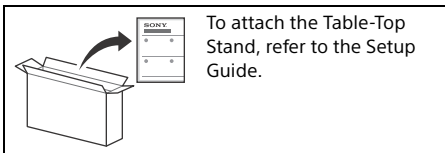


For useful information about Sony products  
 Pour obtenir les informations utiles concernant les produits Sony  
 Información de utilidad para productos Sony  
 Voor nuttige informatie over Sony producten  
 Für hilfreiche Informationen zu Sony Produkten  
 Para informação útil sobre os produtos Sony  
 Per informazioni utili sui prodotti Sony  
 For nyttig information om Sony-produkter  
 For mere information om Sony-produkter  
 Hyödyllistä tietoa Sony tuotteista  
 For nyttig informasjon om Sony produkter  
 Szczegółowe informacje o produktach Sony  
 Užitečné informácie o výrobciach Sony  
 Pre viac informácií o produktoch Sony  
 Sony termékéről hasznos információkat találhat az alábbi weboldalon  
 Pentru informații utile despre produsele Sony  
 За полезна информация относно продуктите на Sony  
 Για χρήσιμες πληροφορίες σχετικά με τα προϊόντα SONY  
 Sony ürünleri için faydalı bilgiler

[www.sony.eu/support](http://www.sony.eu/support)

Reference Guide	GB
Guide de référence	FR
Guía de referencia	ES
Referentiegids	NL
Referenzanleitung	DE
Guia de referência	PT
Guida di riferimento	IT
Referensmaterial	SE
Referencevejledning	DK
Viiteopas	FI
Referanseveiledning	NO
Przewodnik	PL
Referenční příručka	CZ
Referenčná príručka	SK
Felhasználói útmutató	HU
Ghid de referință	RO
Информация за продукта	BG
Οδηγός αναφοράς	GR
Başvuru Kılavuzu	TR

## BRAVIA



To attach the Table-Top Stand, refer to the Setup Guide.

## Table of Contents

IMPORTANT NOTICE .....	2
Safety Information .....	3
Remote Control and TV .....	5
Connection Diagram .....	6
Installing the TV to the Wall .....	8
Using the optional Wall-Mount Bracket . . . .	8
Detaching the Table-Top Stand from the TV . . . . .	9
Troubleshooting .....	10
Troubles and Solutions .....	10
Specifications .....	10

### Internet Connection and Data Privacy

This product connects to the internet during initial setup as soon as a network is connected in order to confirm internet connection, and later to configure the Home screen. Your IP address is used in these and all other internet connections. If you do not want your IP address be used at all, do not set-up the wireless internet function and do not connect an internet cable. Please refer to the privacy information presented in the set-up screens for further details of internet connections.

## Introduction

Thank you for choosing this Sony product. Before operating the TV, please read this manual thoroughly and retain it for future reference.

### Note

- Before operating the TV, please read the "Safety Information" (page 3).
- Read the supplied Safety Information for additional safety information.
- Images and illustrations used in the Setup Guide and this manual are for reference only and may differ from the actual product.
- The "xx" that appears in the model name corresponds to a numeric digit, related to design, colour or TV system.

## Help

Find more troubleshooting and other useful information directly from your TV. Press **HELP** on the remote control to display a list of topics, or to search by keyword.

### Help Guide (Manual)

For more detailed information, select [Help Guide] from the Help menu on your TV. You can also check the Help Guide from your PC or smartphone (information provided on the back cover of this manual).

## Location of the identification label

Labels for the TV Model No., Production Date (year/month) and Power Supply rating are located on the rear of the TV or package.

## IMPORTANT NOTICE

### Notice for Radio Equipment

Hereby, Sony Visual Products Inc. declares that the radio equipment types **CE** **!**  
 KD-85XG8596, KD-75XG8796,  
 KD-75XG8599, KD-75XG8596, KD-75XG8588, KD-75XG8505,  
 KD-65XG8796, KD-65XG8599, KD-65XG8596, KD-65XG8588,  
 KD-65XG8577, KD-65XG8505, KD-55XG8796, KD-55XG8599,  
 KD-55XG8596, KD-55XG8588, KD-55XG8577, KD-55XG8505 are in compliance with Directive 2014/53/EU. The full text of the EU declaration of conformity is available at the following internet address: <http://www.compliance.sony.de/>

Notice for customers: the following information is only applicable to equipment sold in countries applying EU directives.

For this radio equipment, the following restrictions on putting into service or of requirements for authorization of use apply in AT, BE, HR, CY, CZ, DK, EE, FI, FR, DE, EL, HU, IE, IT, LV, LT, LU, MT, NL, PL, PT, SK, SI, ES, SE, UK, IS, LI, NO, CH, BG, RO, TR, AL, BA, MK, MD, RS, ME, Kosovo :

5150 - 5350 MHz band is restricted to indoor operations only.

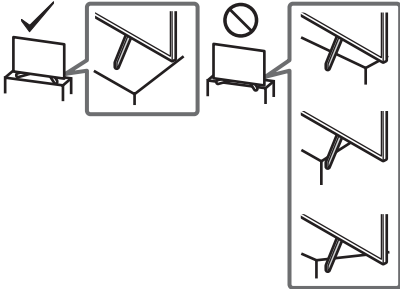
## Safety Information

### Installation/Set-up

Install and use the TV set in accordance with the instructions below in order to avoid any risk of fire, electric shock or damage and/or injuries.

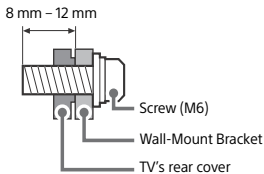
#### Installation

- The TV set should be installed near an easily accessible mains socket.
- Place the TV set on a stable, level surface to prevent it from falling over and causing personal injury or property damage.
- Install the TV where it cannot be pulled, pushed, or knocked over.
- Install the TV so that the TV's Table-Top Stand does not protrude out from the TV stand (not supplied). If the Table-Top Stand protrudes out from the TV stand, it may cause TV set to topple over, fall down, and cause personal injury or damage to the TV.

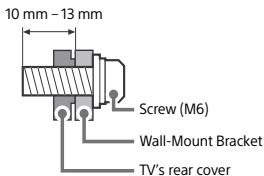


- Only qualified service personnel should carry out wall-mount installations.
- For safety reasons, it is strongly recommended that you use Sony accessories, including:
  - Wall-Mount Bracket SU-WL450
- Be sure to use the screws supplied with the Wall-Mount Bracket when attaching the Wall-Mount Bracket to the TV set. The supplied screws are designed as indicated by illustration when measured from the attaching surface of the Wall-Mount Bracket. The diameter and length of the screws differ depending on the Wall-Mount Bracket model. Use of screws other than those supplied may result in internal damage to the TV set or cause it to fall, etc.

#### KD-85XG85xx



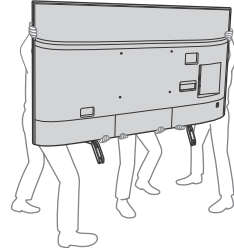
#### KD-75/65/55XG87xx, KD-75/65/55XG85xx



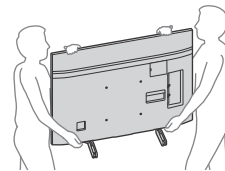
### Transporting

- Before transporting the TV set, disconnect all cables.
- Two or more people (three or more people for KD-85XG85xx) are needed to transport a large TV set.
- When transporting the TV set by hand, hold it as shown below. Do not put stress on the LCD panel and the frame around the screen.
- When lifting or moving the TV set, hold it firmly from the bottom.

#### KD-85XG85xx



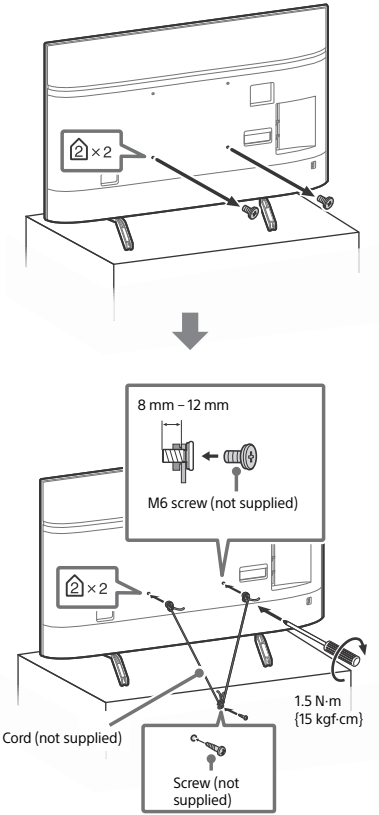
#### KD-75/65/55XG87xx, KD-75/65/55XG85xx



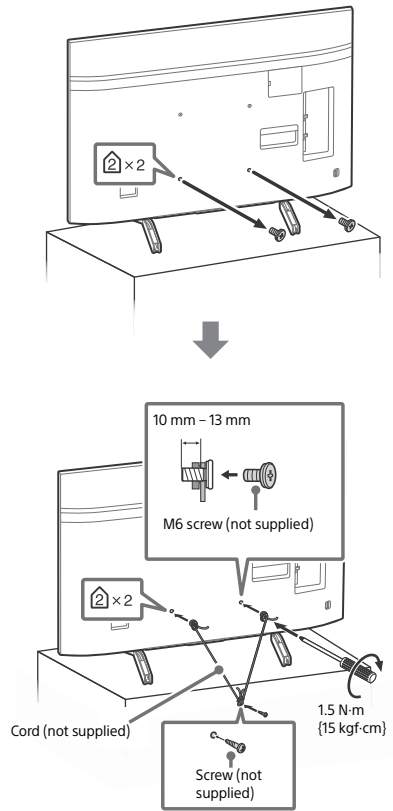
- When transporting the TV set, do not subject it to jolts or excessive vibration.
- When transporting the TV set for repairs or when moving, pack it using the original carton and packing material.

# Topple prevention

KD-85XG85xx

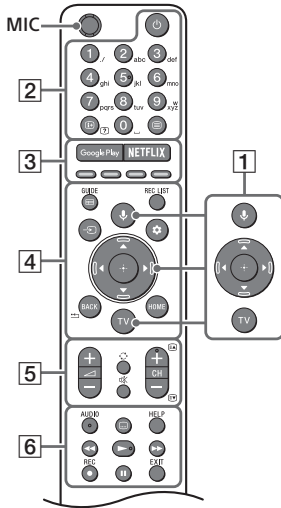


KD-75/65/55XG87xx, KD-75/65/55XG85xx



# Remote Control and TV

The remote control shape, location, availability and function of remote control buttons may vary depending on your region/country/TV model.



**1** **🗣️ (Microphone):** Use voice search. (e.g., Search various content by voice.)\*<sup>1</sup>

**▲/▼/◀/▶/⊕ (Navigation D-Pad):** On screen menu navigation and selection.

**TV:** Switch to a TV channel or input and display the TV menu.

**2** **⏻ (TV standby)**

**Number buttons**

**ℹ️/? (Info/Text reveal):** Display information.

**☰ (Text):** Display text information.

**3** **Google Play**  
**NETFLIX (Only on limited region/country/TV model)**  
**Colour buttons**

**4** **GUIDE/☰:** Display the digital programme guide, or EPG of cable/satellite box\*<sup>2</sup>.

**REC LIST:** Display the Rec list of USB HDD, or DVR\*<sup>2</sup>.

**↔️ (Input select):** Display and select the input source, etc.

**⚙️ (Quick settings):** Display Quick Settings.

**BACK/◀◀**

**HOME**

**5** **↔️ +/- (Volume)**

**⏩ (Jump)**

**🔇 (Mute)**

**Hint**

- The accessibility shortcut service can be turned on or off by pressing and holding **🔇**.

**CH +/-/⏪/⏩**

In TV mode: Select the channel.

In Text mode: Select the next (**⏪**) or previous (**⏩**) page.

**6** **AUDIO:** Select the sound of multilingual source or dual sound (depend on programme source).

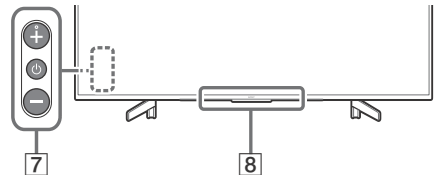
**⋮ (Subtitle setting)**

**HELP:** Display the Help menu.

**◀◀/▶▶/⏸/⏹**

**● REC:** Record the currently viewed programme on the USB HDD, or DVR\*<sup>2</sup>.

**EXIT**



**7** **⏻ (Power)**

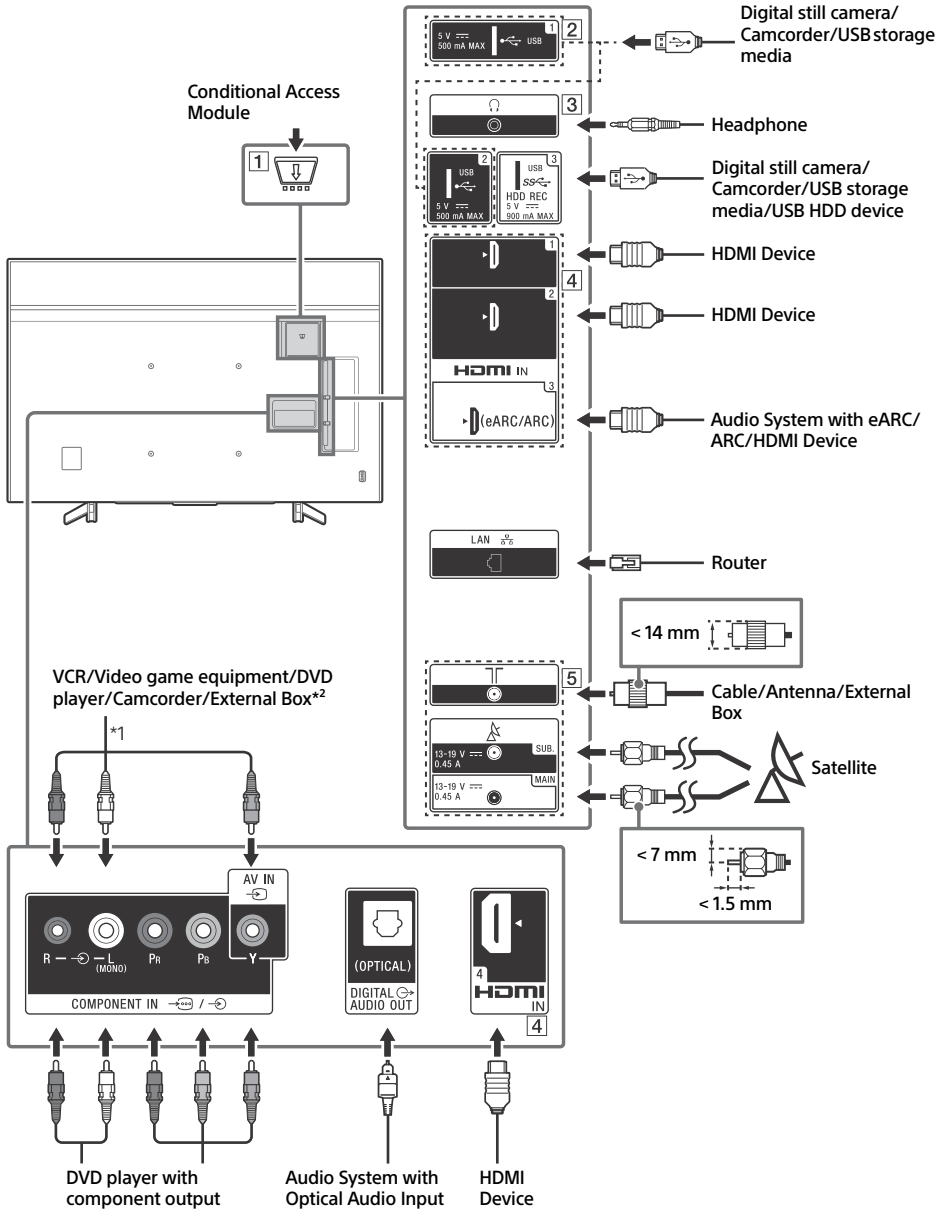
**8** **Remote Control sensor / Light sensor / Illumination LED**

\*<sup>1</sup> The voice search requires an Internet connection.

\*<sup>2</sup> [Cable/Satellite box setup] setting is required (only on limited region/country/TV model). For more information, refer to the Help Guide.

# Connection Diagram

For more information on connections, refer to the Help Guide by pressing **HELP** on the remote control.



### 1 CAM (Conditional Access Module)

- Provides access to pay TV services. For details, refer to the instruction manual supplied with your CAM.
- Do not insert the smart card directly into the TV CAM slot. It must be fitted into the Conditional Access Module provided by your authorised dealer.
- CAM is not supported in some countries/areas. Check with your authorised dealer.
- A CAM message may appear when you switch to a digital programme after using the Internet video.

### 2 USB 1/2, USB 3 (HDD REC)\*<sup>3</sup>

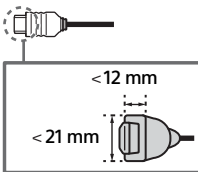
- Connecting a large USB device may interfere with other connected devices beside it.
- When connecting a large USB device, connect to the USB 1 port.
- Connect a USB HDD device to the USB 3 port (blue).

### 3 (Headphone)

- Supports 3-pole stereo mini jack only.
- You cannot output sound from both the headphone and the TV speakers at the same time.

### 4 HDMI IN 1/2/3/4

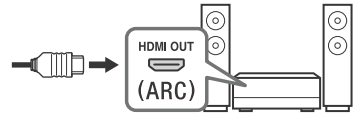
- HDMI interface can transfer the digital video and audio on a single cable.



- To enjoy high quality 4K 50p/60p contents, connect a Premium High Speed HDMI cable and set the [HDMI signal format] to [Enhanced format]. Do this setting individually for each connected HDMI IN terminal. For details of supported formats, refer to the "Specifications" in this manual (page 10-12).

### • HDMI IN 3 eARC/ARC (Enhanced Audio Return Channel/Audio Return Channel)

- Connect your audio system to the HDMI IN 3 to route TV audio to your audio system. An audio system that supports HDMI eARC/ARC can send video to the TV, and receive audio from the TV via the same HDMI cable. If your audio system does not support HDMI eARC/ARC, an additional connection with DIGITAL AUDIO OUT (OPTICAL) is necessary.
- Use the HDMI cable with Ethernet to connect audio system with eARC.



### 5 (RF input), (Satellite input)

- Connections for terrestrial/cable and satellite. Connection steps: SUB. → MAIN → Antenna
- For SUB. jack, connect only when you are using twin tuner mode except for Single Cable Distribution EN50494.

\*1 When connecting mono equipment, connect to the L (MONO) audio jack (socket).

\*2 For an external device which has only SCART AV OUT, use a SCART-RCA adaptor.

\*3 Only on limited region/country/TV model.

# Installing the TV to the Wall

## Using the optional Wall-Mount Bracket

This TV's instruction manual only provides the steps to prepare the TV for Wall-Mount installation before it is installed on the wall.

### To Customers:

For product protection and safety reasons, Sony strongly recommends that installation of your TV be performed by Sony dealers or licensed contractors. Do not attempt to install it yourself.

### To Sony Dealers and Contractors:

Provide full attention to safety during the installation, periodic maintenance and examination of this product.

Sufficient expertise is required for installing this product, especially to determine the strength of the wall for withstanding the TV's weight. Be sure to entrust the attachment of this product to the wall to Sony dealers or licensed contractors and pay adequate attention to safety during the installation. Sony is not liable for any damage or injury caused by mishandling or improper installation.

Use the Wall-Mount Bracket SU-WL450 (not supplied) to install the TV to the wall.

When installing the Wall-Mount Bracket, also refer to the Operating Instructions and Installation Guide supplied with the Wall-Mount Bracket.

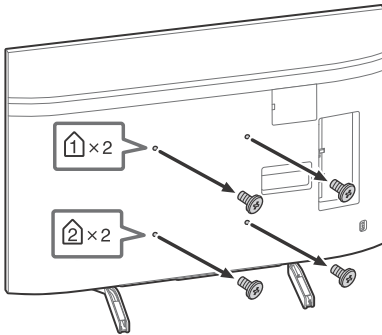
### Note

- Be sure to store the removed screws in a safe place, keeping them away from children.



For instructions on Wall-Mount Bracket installation, see the Installation Information (Wall-Mount Bracket) on the product page for your TV model.  
[www.sony.eu/support/](http://www.sony.eu/support/)

## Remove the screws from the rear of the TV.

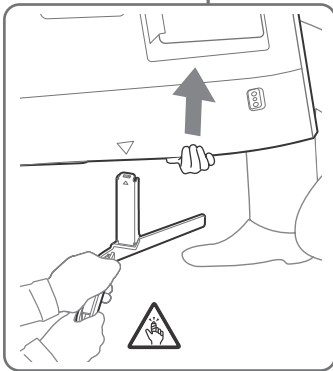
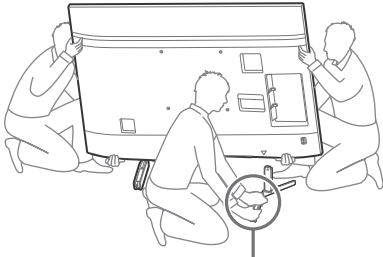




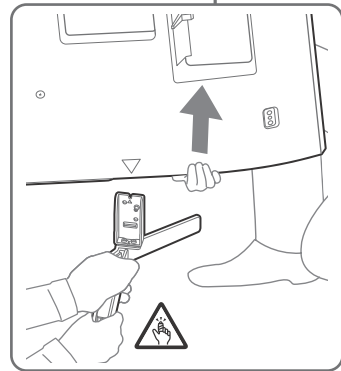
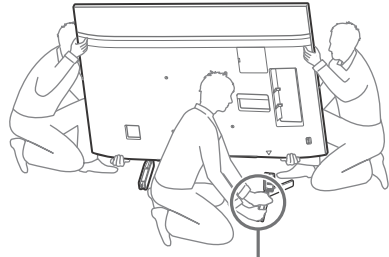
## Detaching the Table-Top Stand from the TV

- 1 Remove one side of the Table-Top Stand at a time. Firmly hold the Table-Top Stand securely with both hands while the other people lift up the TV.

KD-85XG85xx



KD-75/65/55XG87xx, KD-75/65/55XG85xx



- 2 Repeat the previous step and remove the other side of the Table-Top Stand.

### Note

- Three or more people are required to detach the Table-Top Stand.
- Be careful not to use excessive force while detaching the Table-Top Stand from the TV as it may cause the TV set to fall resulting in personal injury or physical damage to the TV.
- Take care when handling the Table-Top Stand to prevent damage to the TV.
- Be careful when lifting the TV as the Table-Top Stand is detached, the Table-Top Stand may topple over and cause personal injury.
- Take care when removing the Table-Top Stand from the TV to prevent it from falling over and damaging the surface that the TV is sitting on.

## Troubleshooting

General troubleshooting for issues like: black screen, no sound, frozen picture, TV does not respond, or network is lost, do the following steps.

- 1 Restart your TV by pressing the power button on the remote control until a message appears. The TV will restart. If the TV does not recover, try unplugging the mains lead. Then press the power button on the TV and wait for two minutes, and plug in the mains lead.
- 2 Refer to the Help menu by pressing **HELP** on the remote control.
- 3 Connect your TV to the Internet and perform a software update. Sony recommends you to keep your TV software updated. Software updates provide new features and performance improvements.
- 4 Visit Sony support website (information provided on the front cover of this manual).

**When you plug in the TV, the TV may not be able to turn on for a while even if you press the power button on the remote control or the TV.**

It takes time to initialize the system. Wait for about one minute, then operate it again.

## Troubles and Solutions

**When the illumination LED is flashing in red.**

- Count how many times it flashes (interval time is three seconds).  
Reboot the TV by disconnecting the mains lead until the illumination LED stopped flashing in red, then turn on the TV.  
If the problem persists, disconnect the mains lead, and contact your dealer or Sony service centre with the number of times the illumination LED flashes.

**Terrestrial/cable service cannot be received.**

- Check the antenna (aerial)/cable connection and booster settings.
- Select terrestrial/cable service by pressing **TV** on the remote control, and then select [Digital] if the broadcasting service is not displayed.
- Terrestrial signal might be suppressed if there is a strong signal supplied nearby. Set [LNA (CH ---)] to [Off] in digital tuning settings.
- After moving to a new house or trying to receive new services, attempt a service search by selecting [Digital tuning].

**Satellite service cannot be received.**

- Check the satellite cable connection.
- When [No signal. LNB overload detected...] message is displayed, unplug the mains lead. Then, ensure the satellite cable is not damaged and the satellite signal line is not short-circuited in the satellite connector.

**The remote control does not function.**

- Replace the batteries.

**The parental lock for broadcast password has been forgotten.**

- Enter 9999 for the PIN code and select [Change PIN code].

**The TV surrounds become warm.**

- When the TV is used for an extended period, the TV surrounds become warm. You may feel hot when touching there by the hand.

## Specifications

### System

- Panel system  
LCD (Liquid Crystal Display) Panel, LED Backlight
- TV system  
Depending on your country/area selection/TV model  
Analogue: B/G, D/K, I  
Digital: DVB-T/DVB-C  
DVB-T2<sup>1</sup>  
Satellite<sup>\*1</sup>: DVB-S/DVB-S2
- Colour system  
PAL/SECAM/NTSC3.58 (Video only)/NTSC4.43 (Video only)
- Channel coverage  
Depending on your country/area selection/TV model  
Analogue: UHF/VHF/Cable  
Digital: UHF/VHF/Cable  
Satellite<sup>\*1</sup>: IF Frequency 950-2,150 MHz
- Sound output  
10 W + 10 W
- Wireless technology  
Protocol IEEE802.11ac/a/b/g/n  
(IEEE802.11ac may not be available depending on countries/regions.)  
Bluetooth version 4.2
- Frequency band(s)

Wireless LAN (IEEE802.11ac/a/b/g/n)	
Frequency range	Output Power
2400-2483.5 MHz	< 20.0 dBm
5150-5250 MHz	< 23.0 dBm
5250-5350 MHz	< 20.0 dBm
5470-5725 MHz	< 20.0 dBm
5725-5850 MHz	< 13.9 dBm

Bluetooth	
Frequency range	Output Power
2400-2483.5 MHz	< 10.0 dBm

Bluetooth	
Frequency range	Output Power
2400-2483.5 MHz	< 10.0 dBm

**Software version**

This radio equipment is intended to be used with the approved version(s) of software that are indicated in the EU Declaration of Conformity.

Press **HELP** on the remote control to know the software version.

Remote control:

Select [Remote control] → [Software version] from [Settings].

For more information, refer to the Help Guide.

The software loaded on this radio equipment is verified to comply with the essential requirements of the Directive 2014/53/EU.

**Input/Output jacks**

**Antenna (aerial)/cable**

75 ohm external terminal for VHF/UHF

**Satellite antenna<sup>1</sup>**

Female F Type Connector, 75 ohm.

DiSEqC 1.0, LNB 13 V/18 V & 22 kHz tone, Single Cable

Distribution EN50494.

**COMPONENT IN**

YPbPr (Component Video): 1080p (50, 60 Hz), 1080i (50, 60 Hz),

720p (50, 60 Hz), 576p, 576i, 480p, 480i

Audio input (phono jacks)

**AV IN**

Video input (common phono pin with Y input)

HDMI IN 1/2/3/4 (support 4K resolution, HDCP

2.3-compatible)

Video:

4096 × 2160p (50, 60 Hz)<sup>2+3</sup>, 4096 × 2160p (24 Hz)<sup>2</sup>, 3840 ×

2160p (50, 60 Hz)<sup>3</sup>, 3840 × 2160p (24, 25, 30 Hz), 1080p (30,

50, 60 Hz), 1080/24p, 1080i (50, 60 Hz), 720p (30, 50, 60 Hz),

720/24p, 576p, 480p, PC Formats<sup>4</sup>

Audio:

In eARC (Enhanced Audio Return Channel) mode<sup>5</sup>

Refer to the Help Guide for details.

Except eARC mode

5.1 channel linear PCM: 32/44.1/48/88.2/96/176.4/192 kHz

16/20/24 bits, Dolby Digital, Dolby Digital Plus, DTS

eARC/ARC (Enhanced Audio Return Channel/Audio Return Channel) (HDMI IN 3 only)

In eARC mode<sup>5</sup>

Refer to the Help Guide for details.

In ARC mode

Two channel linear PCM: 48 kHz 16 bits, Dolby Digital, Dolby

Digital Plus, DTS

**DIGITAL AUDIO OUT (OPTICAL)**

Digital optical jack (Two channel linear PCM: 48 kHz 16 bits,

Dolby Digital, DTS)

(Stereo mini jack)

Headphone

1, 2, 3 (HDD REC)<sup>6</sup>

USB device port ( 3 USB HDD device for REC feature)

USB port 1 and 2 support High Speed USB (USB 2.0)

USB port 3 supports Super Speed USB (USB 3.1 Gen 1)

**CAM (Conditional Access Module) slot**

**LAN**

10BASE-T/100BASE-TX connector (Depending on the operating

environment of the network, connection speed may differ. The

communication rate and quality are not guaranteed.)

**Others**

Optional accessories

Wall-Mount Bracket: SU-WL450

Operating temperature

0 °C – 40 °C

Operating humidity

10 % – 80 % RH (non-condensing)

**Power, Product Fiche and others**

Power requirements

220 V – 240 V AC, 50 Hz

Energy Efficiency Class

KD-85XG85xx: A

KD-75XG87xx / KD-75XG85xx: A+

KD-65XG87xx / KD-65XG85xx: A

KD-55XG87xx / KD-55XG85xx: A

Screen size (measured diagonally) (Approx.)

KD-85XG85xx: 214.8 cm / 85 inches

KD-75XG87xx / KD-75XG85xx: 189.3 cm / 75 inches

KD-65XG87xx / KD-65XG85xx: 163.9 cm / 65 inches

KD-55XG87xx / KD-55XG85xx: 138.8 cm / 55 inches

Power consumption

In [Standard] mode

KD-85XG85xx: 216 W

KD-75XG87xx / KD-75XG85xx: 158 W

KD-65XG87xx / KD-65XG85xx: 127 W

KD-55XG87xx / KD-55XG85xx: 111 W

In [Vivid] mode

KD-85XG8596: 362 W

KD-75XG8796: 275 W

KD-75XG8599: 275 W

KD-75XG8596: 275 W

KD-75XG8588: 275 W

KD-75XG8505: 275 W

KD-65XG8796: 221 W

KD-65XG8599: 221 W

KD-65XG8596: 221 W

KD-65XG8588: 221 W

KD-65XG8577: 221 W

KD-65XG8505: 221 W

KD-55XG8796: 186 W

KD-55XG8599: 186 W

KD-55XG8596: 186 W

KD-55XG8588: 186 W

KD-55XG8577: 186 W

KD-55XG8505: 186 W

Annual energy consumption<sup>7</sup>

KD-85XG85xx: 300 kWh per year

KD-75XG87xx / KD-75XG85xx: 219 kWh per year

KD-65XG87xx / KD-65XG85xx: 176 kWh per year

KD-55XG87xx / KD-55XG85xx: 154 kWh per year

Standby power consumption<sup>8+9</sup>

0.50 W (25 W in software/EPG update mode)

Display resolution

3,840 dots (horizontal) × 2,160 lines (vertical)

Output Rating

USB 1/2

5 V , 500 mA MAX

USB 3

5 V , 900 mA MAX

**Dimensions (Approx.) (w × h × d)**

with Table-Top Stand

KD-85XG85xx: 190.9 × 117.5 × 43.3 cm

KD-75XG87xx / KD-75XG85xx: 167.3 × 103.1 × 35.8 cm

KD-65XG87xx / KD-65XG85xx: 145.0 × 89.9 × 31.6 cm

KD-55XG87xx / KD-55XG85xx: 123.1 × 77.6 × 31.6 cm

without Table-Top Stand

KD-85XG85xx: 190.9 × 109.7 × 8.0 cm

KD-75XG87xx / KD-75XG85xx: 167.3 × 96.3 × 5.4 cm

KD-65XG87xx / KD-65XG85xx: 145.0 × 83.6 × 5.2 cm

KD-55XG87xx / KD-55XG85xx: 123.1 × 71.3 × 5.2 cm

**Mass (Approx.)**

with Table-Top Stand

KD-85XG85xx: 49 kg

KD-75XG87xx / KD-75XG85xx: 39.3 kg

KD-65XG87xx / KD-65XG85xx: 26.3 kg

KD-55XG87xx / KD-55XG85xx: 19.7 kg

without Table-Top Stand

KD-85XG85xx: 46.5 kg

KD-75XG87xx / KD-75XG85xx: 37.8 kg

KD-65XG87xx / KD-65XG85xx: 25.3 kg

KD-55XG87xx / KD-55XG85xx: 18.7 kg



- \*1 Not all the TV sets have DVB-T2 or DVB-S/S2 technology or satellite antenna terminal.
- \*2 When 4096 × 2160p is input and [Wide mode] is set to [Normal], the resolution is displayed as 3840 × 2160p. To display 4096 × 2160p, set [Wide mode] setting to [Full 1] or [Full 2].
- \*3 To support 18 Gbps, set [HDMI signal format] to [Enhanced format].
- \*4 Refer to the Help Guide for details.
- \*5 eARC mode is active when [eARC mode] is set to [Auto], [Speakers] is set to [Audio system] and eARC compatible audio system is connected.
- \*6 Only on limited region/country/TV model.
- \*7 Energy consumption in kWh per year, based on the power consumption of the television operating 4 hours per day for 365 days. The actual energy consumption will depend on how the television is used.
- \*8 Specified standby power is reached after the TV finishes necessary internal processes.
- \*9 Standby power consumption will increase when your TV is connected to the network.

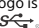
## Note

- Do not remove the dummy card or cover (availability depends on TV model) from TV CAM (Conditional Access Module) slot other than to insert a smart card fitted in CAM.
- Optional accessories availability depends on countries/region/TV model/stock.
- Design and specifications are subject to change without notice.

## Notes on Digital TV function

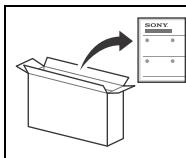
- Digital TV (DVB terrestrial, satellite and cable), interactive services and network functions may not be available in all countries or areas. Some functions might not be enabled or might not operate correctly with some providers and network environments. Some TV service providers may charge a fee for their services.
- This TV supports digital broadcasting using MPEG-2, H.264/MPEG-4 AVC and H.265/HEVC codecs, but compatibility with all operator/service signals, which may change over time, cannot be guaranteed.

## Trademark information

- The terms HDMI and HDMI High-Definition Multimedia Interface, and the HDMI Logo are trademarks or registered trademarks of HDMI Licensing Administrator, Inc. in the United States and other countries.
- Dolby, Dolby Vision, Dolby Audio, and the double-D symbol are trademarks of Dolby Laboratories. Manufactured under license from Dolby Laboratories. Confidential unpublished works. Copyright © 1992-2015 Dolby Laboratories. All rights reserved.
- "BRAVIA", BRAVIA and BRAVIA Sync are trademarks or registered marks of Sony Corporation.
- Gracenote, the Gracenote logo and logotype, "Powered by Gracenote" logo are either registered trademarks or trademarks of Gracenote, Inc. in the United States and/or other countries.
- Vewd® Core. Copyright 1995-2019 Vewd Software AS. All rights reserved.
- Google, Google Play, Chromecast, YouTube, Android TV and other related marks and logos are trademarks of Google LLC.
- Wi-Fi®, Wi-Fi Alliance® and Wi-Fi Direct® are registered trademarks of Wi-Fi Alliance.
- The Wi-Fi CERTIFIED™ Logo is a certification mark of Wi-Fi Alliance.
- For DTS patents, see <http://patents.dts.com>. Manufactured under license from DTS, Inc. DTS, the Symbol, & DTS and the Symbol together are registered trademarks, and DTS Digital Surround is a trademark of DTS, Inc. © DTS, Inc. All Rights Reserved.
- The Bluetooth® word mark and logos are registered trademarks owned by the Bluetooth SIG, Inc. and any use of such marks by Sony Corporation is under license. Other trademarks and trade names are those of their respective owners.
- Netflix is a registered trademark of Netflix, Inc.
- DiSEqC™ is a trademark of EUTELSAT. This TV supports DiSEqC 1.0. This TV is not intended for controlling motorized antennas.
- TUXERA is a registered trademark of Tuxera Inc. in the US and other countries.
- USB-IF SuperSpeed USB Trident logo is a registered trademark of USB Implementers Forum, Inc. 

- All other trademarks are the property of their respective owners.





Pour attacher le support de table, reportez-vous au Guide d'installation.

## Table des matières

AVIS IMPORTANT	2
Consignes de sécurité	3
Télécommande et téléviseur	5
Schéma de connexion	6
Installation du téléviseur au mur	8
Utilisation du Support de fixation murale en option	8
Détachez le support de table du téléviseur	9
Dépannage	10
Problèmes et solutions	10
Spécifications	10

### Connexion Internet et confidentialité des données

Ce produit se connecte à Internet au cours de la configuration initiale dès qu'un réseau est connecté afin de confirmer la connexion Internet, puis ultérieurement pour configurer l'écran d'accueil. Votre adresse IP est utilisée dans ces connexions Internet et toutes les autres. Si vous ne voulez pas que votre adresse IP soit utilisée, ne configurez pas la fonction Internet sans fil et ne connectez pas de câble Internet. Veuillez vous référer aux informations de confidentialité présentées dans les écrans de configuration pour en savoir plus sur les connexions Internet.

## Introduction

Sony vous remercie d'avoir choisi ce téléviseur. Avant de l'utiliser, nous vous invitons à lire attentivement ce manuel et à le conserver pour vous y référer ultérieurement.

### Remarque

- Avant d'utiliser le téléviseur, lisez les « Consignes de sécurité » (page 3).
- Veuillez lire les Consignes de sécurité fournies pour plus d'informations sur la sécurité.
- Les images et illustrations reprises dans ce manuel et dans le Guide d'installation sont fournies pour référence uniquement et peuvent présenter des différences par rapport au produit proprement dit.
- Le « xx » qui apparaît dans le nom de modèle correspond à un chiffre qui désigne la présentation, la couleur ou la norme de télévision.

## Aide

Vous trouverez des renseignements supplémentaires sur le dépannage et d'autres informations utiles directement sur votre téléviseur. Appuyez sur **HELP** sur la télécommande pour afficher une liste de thèmes ou cherchez par mot-clé.

### Guide d'aide (Manuel)

Pour obtenir des informations supplémentaires, sélectionnez [Guide d'aide] du menu Aide sur votre téléviseur. Vous pouvez également consulter le Guide d'aide depuis votre PC ou smartphone (informations fournies sur le cache arrière de ce manuel).

## Emplacement de l'étiquette d'identification

Les étiquettes reprenant le numéro de modèle, la date de production (année/mois) et les caractéristiques nominales de l'alimentation se trouvent à l'arrière du téléviseur ou de l'emballage.

## AVIS IMPORTANT

### Avis concernant les équipements radio



Le soussigné, Sony Visual Products Inc., déclare que les équipements radioélectriques de type KD-85XG8596, KD-75XG8796, KD-75XG8599, KD-75XG8596, KD-75XG8588, KD-75XG8505, KD-65XG8796, KD-65XG8599, KD-65XG8596, KD-65XG8588, KD-65XG8577, KD-65XG8505, KD-55XG8796, KD-55XG8599, KD-55XG8596, KD-55XG8588, KD-55XG8577, KD-55XG8505 sont conformes à la directive 2014/53/UE. Le texte complet de la déclaration UE de conformité est disponible à l'adresse internet suivante : <http://www.compliance.sony.de/>

Avis aux clients : les informations suivantes s'appliquent uniquement aux appareils vendus dans les pays qui appliquent les directives de l'UE.

Pour cet équipement radio, les restrictions de mise en service ou de demandes d'autorisation d'utilisation suivantes s'appliquent en AT, BE, HR, CY, CZ, DK, EE, FI, FR, DE, EL, HU, IE, IT, LV, LT, LU, MT, NL, PL, PT, SK, SI, ES, SE, UK, IS, LI, NO, CH, BG, RO, TR, AL, BA, MK, MD, RS, ME, Kosovo :  
La bande 5 150 - 5 350 MHz est limitée aux utilisations en intérieur uniquement.

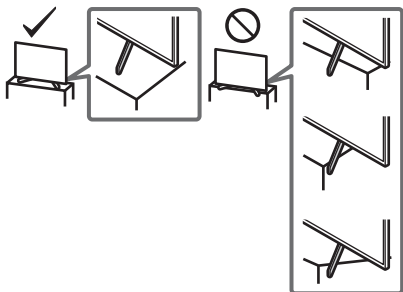
## Consignes de sécurité

### Installation/Mise en place

Installez et utilisez le téléviseur conformément aux instructions ci-dessous afin d'éviter tout risque d'incendie, d'électrocution ou autre dommage et/ou blessure.

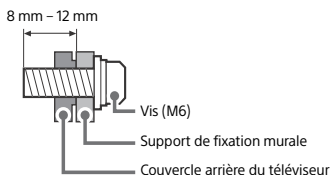
#### Installation

- Le téléviseur doit être installé à proximité d'une prise de courant aisément accessible.
- Positionnez le téléviseur sur une surface stable et horizontale afin d'éviter qu'il ne tombe, n'entraîne des blessures ou n'endommage des biens.
- Installez le téléviseur dans un endroit où vous ne risquez pas de le pousser, de le tirer ou de le renverser.
- Installez le téléviseur de façon à ce que son support de table ne dépasse pas du support TV (non fourni). Si le support de table dépasse du support TV, le téléviseur risque d'être renversé, de tomber, d'être endommagé ou de provoquer des blessures.

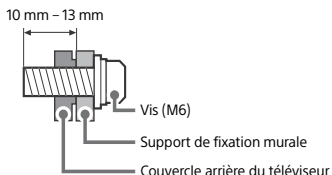


- L'installation murale du téléviseur doit être confiée à un technicien spécialisé.
- Pour des raisons de sécurité, il est vivement recommandé d'utiliser les accessoires Sony, notamment :
  - Support de fixation murale SU-WL450
- Veillez à bien utiliser les vis fournies avec le Support de fixation murale lors de la mise en place du Support de fixation murale sur le téléviseur. Les vis fournies sont conçues de la manière illustrée, mesurées à partir de la surface de fixation du Support de fixation murale. Leur diamètre et leur longueur varient suivant le modèle de Support de fixation murale. L'utilisation de vis autres que celles fournies peut occasionner des dégâts à l'intérieur du téléviseur ou provoquer sa chute, etc.

#### KD-85XG85xx



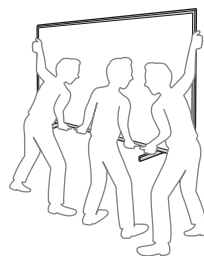
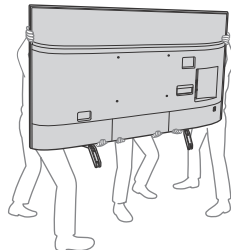
#### KD-75/65/55XG87xx, KD-75/65/55XG85xx



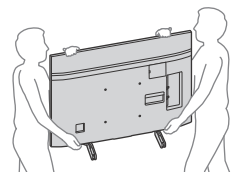
### Transport

- Avant de transporter le téléviseur, débranchez tous ses câbles.
- La présence de deux personnes ou plus (trois personnes ou plus pour KD-85XG85xx) est nécessaire pour le transport des téléviseurs de grande taille.
- Pour transporter le téléviseur à la main, saisissez-le de la manière illustrée. N'exercez aucune pression sur le panneau LCD ni sur le cadre qui entoure l'écran.
- Pour soulever ou déplacer le téléviseur, saisissez-le par sa base.

#### KD-85XG85xx



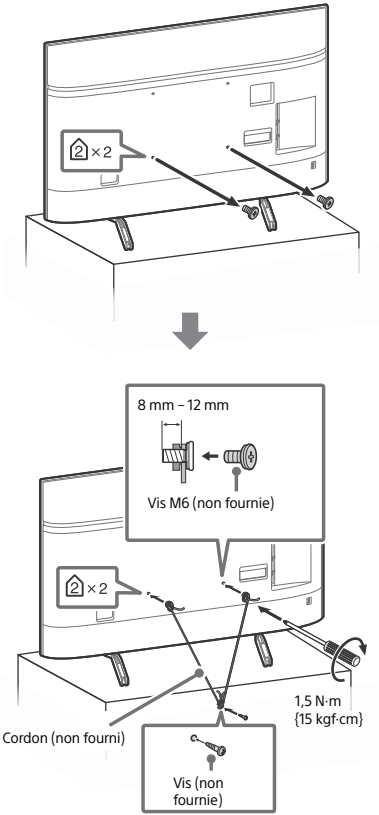
#### KD-75/65/55XG87xx, KD-75/65/55XG85xx



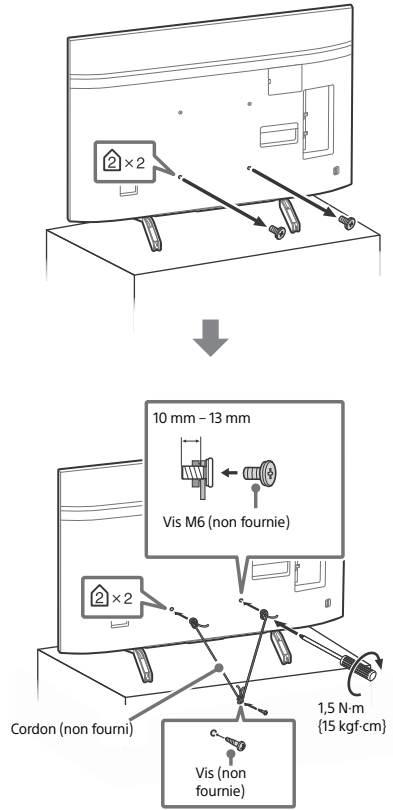
- Lorsque vous transportez le téléviseur, ne le soumettez pas à des secousses ou des vibrations excessives.
- Lorsque vous transportez le téléviseur pour le porter à réparer ou lorsque vous déménagez, glissez-le dans son emballage et son carton d'origine.

# Prévention des basculements

KD-85XG85xx



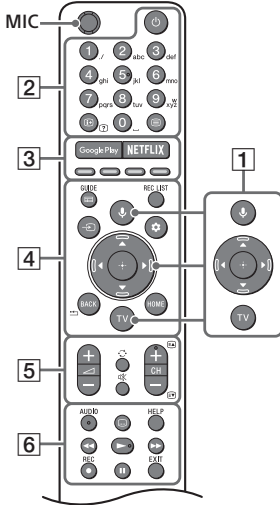
KD-75/65/55XG87xx, KD-75/65/55XG85xx





# Télécommande et téléviseur

La forme de la télécommande, l'emplacement, la disponibilité et la fonction des touches de la télécommande peuvent varier selon votre région/pays/modèle de téléviseur.



- 1** **🎤 (Microphone)** : Utilisez la recherche vocale. (par ex., recherchez différents contenus par la voix.)\*<sup>1</sup>  
**▲/▼/◀/▶/⊕** **(Touches directionnelles de navigation)** : Navigation et sélection du menu à l'écran.  
**TV** : Commutez une chaîne télévisée ou une entrée et affichez le menu TV.

- 2** **🔌 (Veille du téléviseur)**  
**Touches numériques**  
**ℹ️/? (Affichage des infos/du Télétexte)** : Affichez des informations.  
**ℹ️ (Télétexte)** : Affichez les informations de Télétexte.

- 3** **Google Play**  
**NETFLIX (Uniquement dans certains pays ou certaines régions/modèle de téléviseur)**  
**Touches de couleurs**

- 4** **GUIDE/☰** : Pour afficher le guide des programmes numériques, ou l'EPG du câble/satellite\*<sup>2</sup>.

**REC LIST** : Pour afficher la liste des enregistrements du disque dur USB ou DVR\*<sup>2</sup>.

➡️ **(Sélection de l'entrée)** : Pour afficher et sélectionner la source d'entrée, etc.

⚙️ **(Paramètres rapides)** : Pour afficher les Paramètres rapides.

**BACK/◀️**

**HOME**

- 5** **↔️ +/- (Volume)**

⏩ **(Saut)**

🔊 **(Coupage du son)**

**Conseil**

- Le service des raccourcis d'accessibilité peut être activé ou désactivé en maintenant les touche 🔊 enfoncée.

**CH +/-/⏪/⏩**

En mode TV : Sélectionnez la chaîne.

En mode Télétexte : Sélectionnez la page suivante (⏪) ou précédente (⏩).

- 6** **AUDIO** : Pour sélectionner le son d'une source multilingue ou un double son (selon la source du programme).

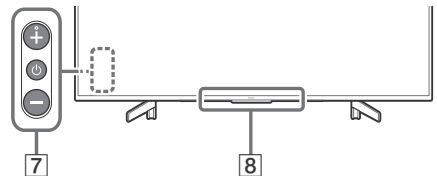
⋮ **(Réglage des sous-titres)**

**HELP** : Affichez le menu Aide.

⏮️/⏭️/⏸️/⏹️

- **REC** : Pour enregistrer le programme en cours de visionnage sur le disque dur USB ou DVR\*<sup>2</sup>.

**EXIT**



- 7** **🔌 (Alimentation)**

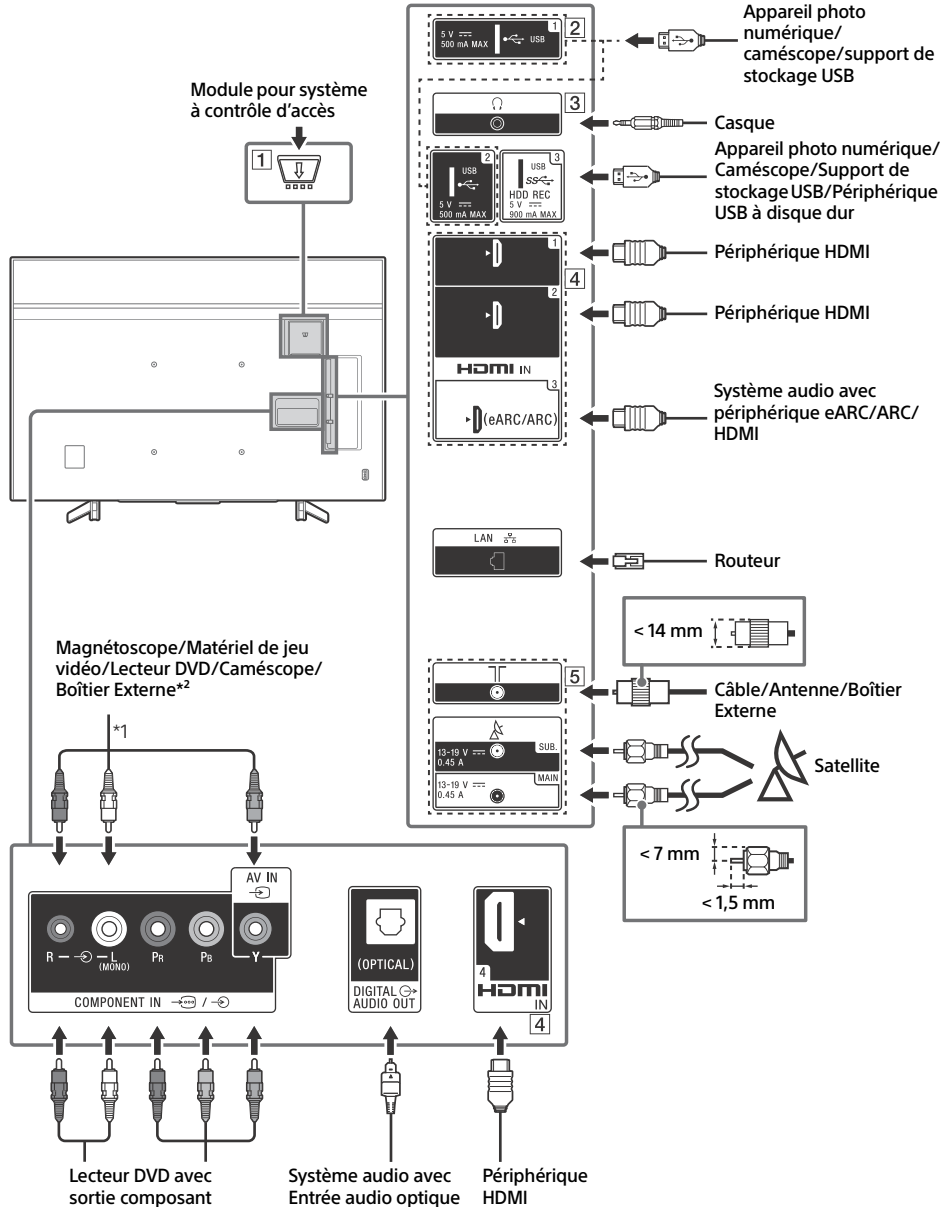
- 8** **Capteur de télécommande / Capteur de lumière / Affichage LED**

\*<sup>1</sup> La recherche vocale nécessite une connexion à Internet.

\*<sup>2</sup> Le paramètre [Configuration de votre récepteur câble/satellite] est requis (uniquement dans certains pays ou certaines régions/modèle de téléviseur). Pour plus d'informations, consultez le Guide d'aide.

# Schéma de connexion

Pour plus d'informations sur les connexions, consultez le Guide d'aide en appuyant sur la touche **HELP** de la télécommande.



## 1 CAM (Module pour système à contrôle d'accès)

- Permet d'accéder à un service télévisuel payant. Pour plus de détails, reportez-vous au mode d'emploi fourni avec votre CAM.
- N'insérez pas la carte à puce directement dans l'emplacement CAM du téléviseur. Elle doit être insérée dans le module CAM (Module pour système à contrôle d'accès) fourni par votre revendeur agréé.
- CAM n'est pas pris en charge dans certains pays ou certaines régions. Vérifiez auprès de votre revendeur agréé.
- Il se peut qu'un message CAM s'affiche lorsque vous basculez vers un programme numérique après l'utilisation de la vidéo Internet.

## 2 USB 1/2, USB 3 (HDD REC)\*3

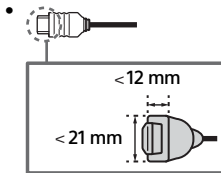
- Le raccordement d'un grand périphérique USB peut interférer avec les autres périphériques raccordés.
- Pour raccorder un grand périphérique USB, branchez-le au port USB 1.
- Raccordez un périphérique USB à disque dur au port USB 3 (bleu).

## 3 (Casque)

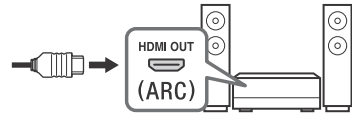
- Prend en charge une mini-prise stéréo à 3 pôles uniquement.
- Vous ne pouvez pas reproduire le son en sortie du casque et des haut-parleurs du téléviseur simultanément.

## 4 HDMI IN 1/2/3/4

- L'interface HDMI peut transférer la vidéo et l'audio numériques sur un seul câble.



- Pour profiter de contenus de haute qualité en 4K 50p/60p, raccordez un câble HDMI haute vitesse premium et réglez [Format du signal HDMI] sur [Format amélioré]. Effectuez ce même réglage individuellement pour chaque terminal HDMI IN raccordé. Pour plus de détails sur les formats pris en charge, reportez-vous aux « Spécifications » dans ce manuel (page 10-12).
- **HDMI IN 3 eARC/ARC (Enhanced Audio Return Channel/Audio Return Channel)**  
Raccordez votre système audio au HDMI IN 3 pour acheminer l'audio de votre téléviseur vers votre système audio. Un système audio compatible avec HDMI eARC/ARC peut envoyer des vidéos au téléviseur et recevoir l'audio du téléviseur via le même câble HDMI. Si votre système audio n'est pas compatible avec HDMI eARC/ARC, un raccordement supplémentaire à DIGITAL AUDIO OUT (OPTICAL) est nécessaire.
- Utilisez le câble HDMI avec Ethernet pour raccorder le système audio avec eARC.



## 5 (Entrée RF), (Entrée satellite)

- Raccordements pour le terrestre/câble et le satellite. Étapes de raccordement : SUB. → MAIN → Antenne
- Pour la prise SUB. n'effectuez le raccordement que lorsque vous utilisez le mode double tuner pour la diffusion par câble unique EN50494.

\*1 Si l'appareil est de type mono, raccordez-le à la prise audio L (MONO).

\*2 Pour un périphérique externe équipé uniquement d'une prise SCART AV OUT, utilisez un adaptateur SCART-RCA.

\*3 Uniquement dans certains pays ou certaines régions/modèle de téléviseur.

# Installation du téléviseur au mur

## Utilisation du Support de fixation murale en option

Ce mode d'emploi du téléviseur illustre uniquement les étapes nécessaires à la préparation du téléviseur pour son installation murale avant sa fixation au mur.

### A l'attention des clients :

Pour protéger le produit et pour des raisons de sécurité, Sony conseille vivement de confier l'installation de votre téléviseur à des revendeurs ou des installateurs agréés Sony. N'essayez pas de l'installer vous-même.

### A l'attention des revendeurs et installateurs Sony :

Soyez particulièrement attentif à la sécurité pendant l'installation, l'entretien périodique et l'examen du produit.

Une certaine expérience est requise pour installer ce produit, en particulier pour déterminer la résistance du mur qui devra supporter le poids du téléviseur. Veillez à confier la fixation de ce produit au mur à un revendeur Sony ou un installateur agréé et apportez une attention suffisante à la sécurité pendant l'installation. Sony n'est responsable d'aucun dégât ou blessure provoqué par une erreur de manipulation ou installation incorrecte.

Utilisez le Support de fixation murale SU-WL450 (non fourni) pour installer le téléviseur au mur. Lorsque vous installez le Support de fixation mural, reportez-vous également au Mode d'emploi et au Guide d'installation fournis avec le Support de fixation mural.

### Remarque

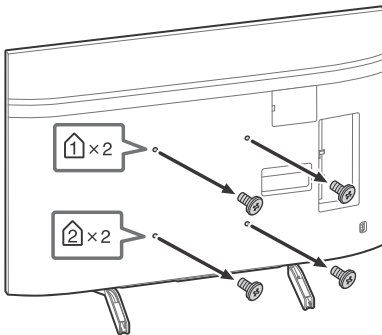
- Les vis que vous retirez doivent être rangées en lieu sûr, hors de portée des enfants.



Pour obtenir les instructions de l'installation du Support de fixation murale, veuillez vous reporter à la section Informations sur l'installation (Support de fixation murale) sur la page du produit correspondant à votre modèle de téléviseur.

[www.sony.eu/support/](http://www.sony.eu/support/)

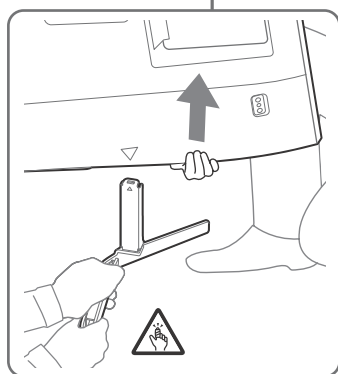
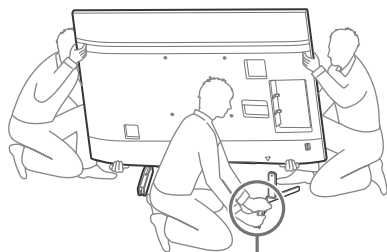
Retirez les vis à l'arrière du téléviseur.



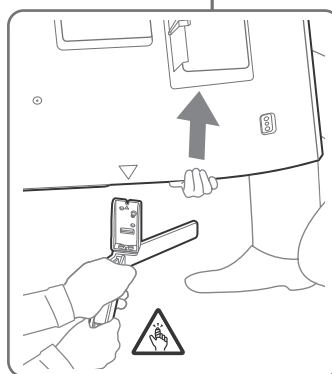
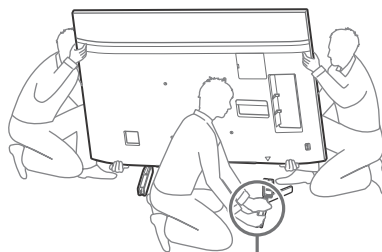
## Détachez le support de table du téléviseur

- 1 Retirez un côté du support de table à la fois. Tenez fermement le support de table à deux mains pendant que les autres personnes soulèvent le téléviseur.

KD-85XG85xx



KD-75/65/55XG87xx, KD-75/65/55XG85xx



- 2 Répétez l'étape précédente et retirez l'autre côté du support de table.

### Remarque

- La présence de trois personnes ou plus est nécessaire pour détacher le support de table.
- Veillez à ne pas exercer de force excessive en détachant le support de table du téléviseur car ce dernier pourrait tomber et ainsi être endommagé et occasionner des blessures corporelles.
- Lorsque vous manipulez le support de table, prenez soin d'éviter d'endommager le téléviseur.
- Faites preuve de prudence lorsque vous soulevez le téléviseur alors que le support de table est détaché, car le support de table pourrait se renverser et provoquer des blessures.
- Faites attention lorsque vous retirez le support de table du téléviseur afin d'éviter qu'il ne tombe et endommage la surface sur laquelle repose le téléviseur.

## Dépannage

Pour les dépannages généraux tels que : écran noir, absence de son, image figée, téléviseur ne réagissant plus pas de réaction du téléviseur ou perte de réseau, suivez les étapes ci-après.

- 1 Redémarrez votre téléviseur en appuyant sur la touche de mise en marche de la télécommande jusqu'à ce qu'un message s'affiche. Le téléviseur redémarre. Si le téléviseur n'est pas remis en état, essayez de débrancher le cordon d'alimentation secteur. Puis appuyez sur le bouton marche/arrêt du téléviseur et attendez deux minutes, et branchez le cordon d'alimentation secteur.
- 2 Consultez le menu d'aide en appuyant sur la touche **HELP** de la télécommande.
- 3 Raccordez votre téléviseur à Internet et effectuez une mise à jour du logiciel. Sony vous recommande de mettre à jour le logiciel de votre téléviseur régulièrement. Les mises à jour fournissent de nouvelles fonctionnalités et améliorent les performances.
- 4 Allez sur le site Web d'assistance Sony (informations fournies sur la première de couverture de ce manuel).

**Lorsque vous branchez le téléviseur, il est possible que vous ne puissiez pas allumer le téléviseur immédiatement même si vous appuyez sur la touche de mise en marche de la télécommande ou du téléviseur.**

L'initialisation du système prend du temps. Attendez environ une minute, puis utilisez-le normalement.

## Problèmes et solutions

**Lorsque l'affichage LED clignote en rouge.**

- Comptez le nombre de clignotements (l'intervalle est de trois secondes). Réinitialisez le téléviseur en débranchant le cordon d'alimentation secteur jusqu'à ce que l'affichage LED arrête de clignoter en rouge, puis remettez le téléviseur sous tension. Si le problème persiste, déconnectez le cordon d'alimentation secteur et contactez votre revendeur ou un Centre de Service Après-Vente Sony en indiquant le nombre de clignotements la LED d'éclairage.

**Le service terrestre/par câble ne peut pas être réceptionné.**

- Vérifiez le raccordement de l'antenne/câble et les réglages de l'amplificateur.
- Sélectionnez le service terrestre/par câble en appuyant sur la touche **TV** de la télécommande, puis sélectionnez [Numérique] si le service de diffusion n'est pas affiché.
- Le signal terrestre peut être supprimé si un signal fort est fourni à proximité. Réglez [LNA (Canal ---)] sur [Non] dans les réglages de syntonisation numérique.
- Après avoir emménagé dans un nouveau domicile ou essayé de recevoir de nouveaux services, tentez une recherche de service en sélectionnant [Recherche des chaînes numériques].

**Le service satellite ne peut pas être réceptionné.**

- Vérifiez le raccordement du câble satellite.
- Lorsque le message [Signal absent. Surcharge LNB détectée...] s'affiche, débranchez le cordon d'alimentation secteur. Ensuite, assurez-vous que le câble satellite n'est pas endommagé et que la ligne du signal satellite n'est pas court-circuitée dans le connecteur satellite.

**La télécommande ne fonctionne pas.**

- Remplacez les piles.

**Le mot de passe du verrouillage parental des diffusions a été oublié.**

- Saisissez 9999 comme code PIN et sélectionnez [Modifiez le code PIN].

**La température augmente autour du téléviseur.**

- Si vous utilisez le téléviseur pendant une période prolongée, la température augmente dans la zone qui l'entoure. Si vous le touchez, vous remarquerez peut-être qu'il est chaud.

## Spécifications

### Système

Type d'affichage

LCD (écran à cristaux liquides), Rétro-éclairage LED

Norme de télévision

Selon le pays/la région sélectionnée/le modèle de téléviseur

Analogique : B/G, D/K, I

Numérique : DVB-T/DVB-C

DVB-T2<sup>\*1</sup>

Satellite<sup>\*1</sup> : DVB-S/DVB-S2

Norme de couleurs

PAL/SECAM/NTSC3.58 (Vidéo uniquement)/NTSC4.43 (Vidéo uniquement)

## Canaux couverts

Selon le pays/la région sélectionnée/le modèle de téléviseur  
Analogique : UHF/VHF/Câble  
Numérique : UHF/VHF/Câble  
Satellite\*1 : Fréquence IF 950-2 150 MHz

## Sortie son

10 W + 10 W

## Technologie sans fil

Protocole IEEE802.11ac/a/b/g/n  
(Selon votre région/pays, il se peut que l'IEEE802.11ac ne soit pas disponible.)

Bluetooth Version 4.2

## Bande(s) de fréquence

LAN sans fil (IEEE802.11ac/a/b/g/n)	
Plage de fréquences	Puissance de sortie
2 400-2 483,5 MHz	< 20,0 dBm
5 150-5 250 MHz	< 23,0 dBm
5 250-5 350 MHz	< 20,0 dBm
5 470-5 725 MHz	< 20,0 dBm
5 725-5 850 MHz	< 13,9 dBm

Bluetooth	
Plage de fréquences	Puissance de sortie
2 400-2 483,5 MHz	< 10,0 dBm

## RFM-TX600E/TX500E

Bluetooth	
Plage de fréquences	Puissance de sortie
2 400-2 483,5 MHz	< 10,0 dBm

## Version du logiciel

Cet équipement radio est destiné à être utilisé avec la ou les version(s) approuvée(s) du logiciel qui sont indiquées dans la déclaration de conformité de l'UE.

Appuyez sur la touche **HELP** de la télécommande pour connaître la version logicielle.

Télécommande :

Sélectionnez [Télécommande] → [Version du logiciel] dans [Paramètres]. Pour plus d'informations, consultez le Guide d'aide.

Le logiciel chargé sur cet équipement radio est certifié conforme aux exigences essentielles de la Directive 2014/53/UE.

## Prises d'entrée/de sortie

### Antenne/câble

Borne 75 ohms externe pour VHF/UHF

### Antenne satellite\*1

Connecteur femelle type-F, 75 ohms.

DiSEqC 1.0, LNB 13 V/18 V & 22 kHz tone, Diffusion par câble unique EN50494.

### COMPONENT IN

YPbPr (Vidéo composante) : 1080p (50, 60 Hz), 1080i (50, 60 Hz), 720p (50, 60 Hz), 576p, 576i, 480p, 480i  
Entrée audio (prises phono)

### AV IN

Entrée vidéo (fiche phono partagée avec l'entrée Y)

## HDMI IN 1/2/3/4 (accepte une résolution de 4K, Compatible HDCP 2.3)

### Vidéo :

4096 × 2160p (50, 60 Hz)\*2\*3, 4096 × 2160p (24 Hz)\*2, 3840 × 2160p (50, 60 Hz)\*3, 3840 × 2160p (24, 25, 30 Hz), 1080p (30, 50, 60 Hz), 1080i/24p, 1080i (50, 60 Hz), 720p (30, 50, 60 Hz), 720i/24p, 576p, 480p, Formats PC\*4

### Audio :

En mode eARC (Enhanced Audio Return Channel)\*5  
Reportez-vous au Guide d'aide pour plus de détails.  
Sauf mode eARC

PCM linéaire 5,1 canaux : 32/44,1/48/88,2/96/176,4/192 kHz 16/20/24 bits, Dolby Digital, Dolby Digital Plus, DTS eARC/ARC (Enhanced Audio Return Channel/Audio Return Channel) (HDMI IN 3 uniquement)

### En mode eARC\*5

Reportez-vous au Guide d'aide pour plus de détails.

### En mode ARC

PCM linéaire deux canaux : 48 kHz 16 bits, Dolby Digital, Dolby Digital Plus, DTS

### DIGITAL AUDIO OUT (OPTICAL)

Prise optique numérique (PCM linéaire deux canaux : 48 kHz 16 bits, Dolby Digital, DTS)

### (mini-prise stéréo)

### Casque

### 1, 2, 3 (HDD REC)\*6

Port pour périphérique USB ( 3 Disque dur USB pour la fonction REC)

Les ports USB 1 et 2 prennent en charge la High Speed USB (USB 2.0)

Le port USB 3 prend en charge la Super Speed USB (USB 3.1 Gen 1)

### 

Fente CAM (Module pour système à contrôle d'accès)

### LAN

Connecteur 10BASE-T/100BASE-TX (La vitesse de connexion du réseau peut varier en fonction de l'environnement d'exploitation. Le débit et la qualité de la communication ne sont pas garantis.)

## Autres

### Accessoires en option

Support de fixation murale : SU-WL500

### Température de fonctionnement

0 °C - 40 °C

### Humidité de fonctionnement

10 % - 80 % HR (sans condensation)

## Puissance, fiche produit et autres

### Alimentation

220 V - 240 V CA, 50 Hz

### Classe d'efficacité énergétique

KD-85XG85xx : A  
KD-75XG87xx / KD-75XG85xx : A+  
KD-65XG87xx / KD-65XG85xx : A  
KD-55XG87xx / KD-55XG85xx : A

### Taille d'écran (mesurée en diagonale) (Environ)

KD-85XG85xx : 214,8 cm / 85 pouces  
KD-75XG87xx / KD-75XG85xx : 189,3 cm / 75 pouces  
KD-65XG87xx / KD-65XG85xx : 163,9 cm / 65 pouces  
KD-55XG87xx / KD-55XG85xx : 138,8 cm / 55 pouces

### Consommation électrique

#### En mode [Standard]

KD-85XG85xx : 216 W  
KD-75XG87xx / KD-75XG85xx : 158 W  
KD-65XG87xx / KD-65XG85xx : 127 W  
KD-55XG87xx / KD-55XG85xx : 111 W

## En mode [Intense]

KD-85XG8596 : 362 W  
KD-75XG8796 : 275 W  
KD-75XG8599 : 275 W  
KD-75XG8596 : 275 W  
KD-75XG8588 : 275 W  
KD-75XG8505 : 275 W  
KD-65XG8796 : 221 W  
KD-65XG8599 : 221 W  
KD-65XG8596 : 221 W  
KD-65XG8588 : 221 W  
KD-65XG8577 : 221 W  
KD-65XG8505 : 221 W  
KD-55XG8796 : 186 W  
KD-55XG8599 : 186 W  
KD-55XG8596 : 186 W  
KD-55XG8588 : 186 W  
KD-55XG8577 : 186 W  
KD-55XG8505 : 186 W

## Consommation énergétique annuelle\*7

KD-85XG85xx : 300 kWh par an  
KD-75XG87xx / KD-75XG85xx : 219 kWh par an  
KD-65XG87xx / KD-65XG85xx : 176 kWh par an  
KD-55XG87xx / KD-55XG85xx : 154 kWh par an

## Consommation électrique en veille\*8,9

0,50 W (25 W en mode de mise à jour du logiciel/EPG)

## Résolution d'affichage

3 840 points (horizontal) × 2 160 lignes (vertical)

## Puissance de sortie nominale

USB 1/2

5 V  $\overline{\text{---}}$ , 500 mA MAX

USB 3

5 V  $\overline{\text{---}}$ , 900 mA MAX

## Dimensions (Environ) (l × h × p)

### Avec support de table

KD-85XG85xx : 190,9 × 117,5 × 43,3 cm  
KD-75XG87xx / KD-75XG85xx : 167,3 × 103,1 × 35,8 cm  
KD-65XG87xx / KD-65XG85xx : 145,0 × 89,9 × 31,6 cm  
KD-55XG87xx / KD-55XG85xx : 123,1 × 77,6 × 31,6 cm

### Sans support de table

KD-85XG85xx : 190,9 × 109,7 × 8,0 cm  
KD-75XG87xx / KD-75XG85xx : 167,3 × 96,3 × 5,4 cm  
KD-65XG87xx / KD-65XG85xx : 145,0 × 83,6 × 5,2 cm  
KD-55XG87xx / KD-55XG85xx : 123,1 × 71,3 × 5,2 cm

## Poids (Environ)

### Avec support de table

KD-85XG85xx : 49 kg  
KD-75XG87xx / KD-75XG85xx : 39,3 kg  
KD-65XG87xx / KD-65XG85xx : 26,3 kg  
KD-55XG87xx / KD-55XG85xx : 19,7 kg

### Sans support de table

KD-85XG85xx : 46,5 kg  
KD-75XG87xx / KD-75XG85xx : 37,8 kg  
KD-65XG87xx / KD-65XG85xx : 25,3 kg  
KD-55XG87xx / KD-55XG85xx : 18,7 kg

- \*1 Tous les téléviseurs ne sont pas dotés de la technologie DVB-T2 ou DVB-S/S2 ou d'une borne d'antenne satellite.
- \*2 Si la valeur d'entrée est 4096 × 2160p et que [Mode Large] est réglé sur [Normal], la résolution s'affiche à 3840 × 2160p. Pour afficher au format 4096 × 2160p, réglez le paramètre [Mode Large] sur [Étiré 1] ou [Étiré 2].
- \*3 Pour la prise en charge de 18 Gbps, réglez [Format du signal HDMI] sur [Format amélioré].
- \*4 Reportez-vous au Guide d'aide pour plus de détails.
- \*5 Le mode eARC est actif lorsque [Mode eARC] est réglé sur [Auto], [Haut-parleurs] est réglé sur [Système audio] et lorsque le système audio compatible eARC est raccordé.
- \*6 Uniquement dans certains pays ou certaines régions/modèle de téléviseur.
- \*7 Consommation énergétique en kWh par an, en considérant la consommation électrique du poste lorsqu'il reste allumé 4 heures par jour pendant 365 jours. La consommation électrique réelle dépendra du mode d'utilisation du téléviseur.
- \*8 La consommation spécifiée en mode de veille est atteinte une fois que le téléviseur a terminé tous les processus internes nécessaires.
- \*9 La consommation électrique en veille augmentera lorsque votre téléviseur sera connecté au réseau.

## Remarque

- Ne retirez pas la carte factice ou le cache (disponibilité selon le modèle de téléviseur) de la fente TV CAM (Module pour système à contrôle d'accès), sauf pour la remplacer par une carte à puce insérée dans le CAM.
- La disponibilité des accessoires en option varie selon les pays, les régions, les modèles de téléviseur et les stocks.
- La conception et les spécifications sont sujettes à modification sans préavis.

## Remarques sur la fonction de télévision numérique

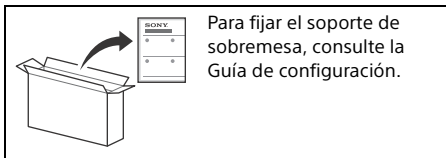
- La télévision numérique (DVB terrestre, satellite et câble), les services interactifs et les fonctions réseau peuvent ne pas être disponibles dans tous les pays ou régions. Certaines fonctions pourraient ne pas être activées ou pourraient ne pas fonctionner correctement avec certains opérateurs et environnements réseau. Il est possible que certains opérateurs de services télévisuels facturent des frais pour leurs services.
- Ce téléviseur prend en charge la diffusion numérique en utilisant les codecs MPEG-2, H.264/MPEG-4 AVC et H.265/HEVC, mais la compatibilité avec tous les signaux de l'opérateur/service, susceptibles de changer au fil du temps, ne peut pas être garantie.

## Informations sur les marques commerciales

- Les termes HDMI et High-Definition Multimedia Interface ainsi que le logo HDMI sont des marques commerciales ou des marques déposées de HDMI Licensing Administrator, Inc. aux États-Unis et dans d'autres pays.
- Dolby, Dolby Vision, Dolby Audio et le symbole double-D sont des marques de Dolby Laboratories. Fabriqué sous licence de Dolby Laboratories. Travaux confidentiels et non publiés. Copyright © 1992-2015 Dolby Laboratories. Tous droits réservés.
- « BRAVIA », BRAVIA et BRAVIA Sync sont des marques commerciales ou marques déposées de Sony Corporation.
- Gracenote, le logo et le graphisme Gracenote ainsi que le logo « Powered by Gracenote » sont des marques commerciales ou des marques déposées de Gracenote, Inc. aux États-Unis et/ou dans d'autres pays.
- Vewd® Core. Copyright 1995-2019 Vewd Software AS. All rights reserved.
- Google, Google Play, Chromecast, YouTube, Android TV et les autres marques et logos associés sont des marques de Google LLC.
- Wi-Fi®, Wi-Fi Alliance® et Wi-Fi Direct® sont des marques déposées de Wi-Fi Alliance.
- Le logo Wi-Fi CERTIFIED™ est une marque de certification de Wi-Fi Alliance.
- Pour les brevets DTS, visitez <http://patents.dts.com>. Fabriqué sous licence de DTS, Inc. DTS, le symbole, & DTS et le symbole utilisés conjointement sont des marques déposées tandis que DTS Digital Surround est une marque commerciale de DTS, Inc. © DTS, Inc. Tous droits réservés.
- Les logos et le mot de marque Bluetooth® sont des marques déposées appartenant à Bluetooth SIG, Inc. et toute utilisation de ces marques par Sony Corporation est couverte par une licence. Les autres marques commerciales et noms de marque appartiennent à leurs propriétaires respectifs.
- Netflix est une marque déposée de Netflix, Inc.
- DiSEqC™ est une marque déposée de EUTELSAT. Ce téléviseur prend en charge DiSEqC 1.0. Ce téléviseur n'est pas destiné à commander des antennes à moteur.
- TUXERA est une marque déposée de Tuxera Inc. aux États-Unis et dans d'autres pays.
- Le logo USB-IF SuperSpeed USB Trident est une marque déposée de USB Implementers Forum, Inc. SS
- Toutes les autres marques commerciales appartiennent à leurs propriétaires respectifs.







Para fijar el soporte de sobremesa, consulte la Guía de configuración.

## Tabla de contenidos

AVISO IMPORTANTE .....	2
Información de seguridad .....	3
Mando a distancia y televisor .....	5
Diagrama de conexiones .....	6
Instalación del televisor en una pared ...	8
Utilización del Soporte de pared opcional .....	8
Desmante el soporte de sobremesa del televisor .....	9
Solución de problemas .....	10
Problemas y soluciones .....	10
Especificaciones .....	10

### Conexión a Internet y privacidad de datos

Al conectarse una red, este producto se conecta a Internet durante la configuración inicial para, en primer lugar, confirmar la conexión a Internet y, después, configurar la pantalla de inicio. Su dirección IP se utiliza en esta y en otras conexiones a Internet. Si no desea que se utilice su dirección IP en absoluto, no configure la función inalámbrica de Internet y no conecte un cable de Internet. Para obtener más detalles sobre las conexiones a Internet, consulte la información de privacidad mostrada en la pantalla de configuración.

## Introducción

Gracias por elegir este producto Sony.  
Antes de utilizar el televisor, lea este manual atentamente y consérvelo para consultarlo en el futuro.

### Nota

- Antes de utilizar el televisor, lea el apartado "Información de seguridad" (página 3).
- Lea la Información de seguridad suministrada para obtener más información sobre seguridad.
- Las imágenes y las ilustraciones utilizadas en la Guía de configuración y este manual son solo ejemplos y pueden no coincidir con el producto real.
- La "xx" que aparece en el nombre del modelo corresponde a un dígito numérico relacionado con el diseño, el color o el sistema de televisión.

## Ayuda

Encontrará más soluciones de problemas y otra información importante directamente en su televisor. Pulse **HELP** en el mando a distancia para mostrar una lista de temas o para buscar por palabra clave.

### Guía de ayuda (manual)

Para obtener información más detallada, seleccione [Guía de ayuda] en el menú Ayuda de su televisor. También puede consultar la Guía de ayuda desde su PC o smartphone (encontrará la información en la contraportada de este manual).

## Ubicación de la etiqueta identificativa

Las etiquetas correspondientes al Número de modelo, a la Fecha de producción (año/mes) y al voltaje de la Fuente de alimentación se encuentran situadas en la parte posterior del televisor o el embalaje.

## AVISO IMPORTANTE

### Nota sobre equipos inalámbricos



Por la presente, Sony Visual Products Inc. declara que los tipos de equipo radioeléctrico KD-85XG8596, KD-75XG8796, KD-75XG8599, KD-75XG8588, KD-75XG8505, KD-65XG8796, KD-65XG8599, KD-65XG8596, KD-65XG8588, KD-65XG8577, KD-65XG8505, KD-65XG8796, KD-55XG8599, KD-55XG8596, KD-55XG8588, KD-55XG8577, KD-55XG8505 son conformes con la Directiva 2014/53/UE. El texto completo de la declaración UE de conformidad está disponible en la dirección Internet siguiente: <http://www.compliance.sony.de/>

Aviso para los clientes: la siguiente información solamente es aplicable a los equipos comercializados en los países que cumplan las directivas de la UE.

Para este equipo de radio, aplican las siguientes restricciones de puesta en servicio o requisitos de autorización de uso en AT, BE, HR, CY, CZ, DK, EE, FI, FR, DE, EL, HU, IE, IT, LV, LT, LU, MT, NL, PL, PT, SK, SI, ES, SE, UK, IS, LI, NO, CH, BG, RO, TR, AL, BA, MK, MD, RS, ME, Kosovo :

La banda de 5 150 - 5 350 MHz solo está permitida para operaciones en interiores.

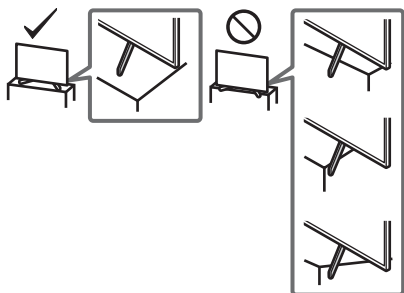
## Información de seguridad

### Instalación/configuración

Instale y utilice el televisor siguiendo las instrucciones que se indican a continuación para evitar el riesgo de incendios, descargas eléctricas u otros daños y/o lesiones.

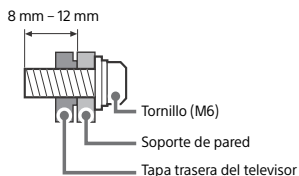
#### Instalación

- Debe instalar el televisor cerca de una toma de corriente de fácil acceso.
- Coloque el televisor sobre una superficie nivelada y estable para evitar que pueda caerse y provocar daños personales o materiales.
- Instale el televisor en lugares donde no pueda caerse ni sufrir golpes.
- Instale el televisor de modo que el soporte de sobremesa del televisor no sobresalga del soporte para TV (no suministrado). Si el soporte de sobremesa sobresale del soporte para TV, el televisor podría desequilibrarse, caerse y provocar daños personales o estropearse.

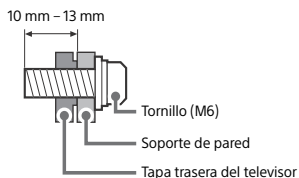


- La instalación en pared solo puede ser realizada por personal cualificado.
- Por razones de seguridad, se recomienda utilizar accesorios Sony como:
  - Soporte de pared SU-WL450
- Asegúrese de utilizar los tornillos suministrados con el Soporte de pared al fijar el Soporte de pared al televisor. Los tornillos suministrados han sido diseñados tal y como indica la ilustración si se miden desde la superficie de colocación del Soporte de pared. El diámetro y longitud de los tornillos varía en función del modelo de Soporte de pared. Si utiliza tornillos distintos de los suministrados, puede provocar un daño interno en el televisor o éste puede caerse, etc.

#### KD-85XG85xx



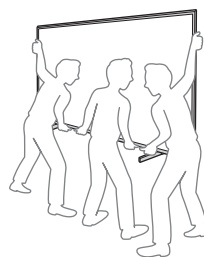
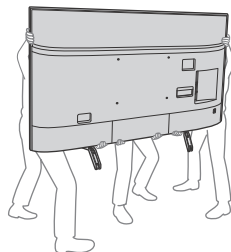
#### KD-75/65/55XG87xx, KD-75/65/55XG85xx



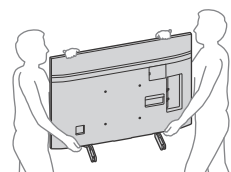
### Transporte

- Desconecte todos los cables antes de transportar el televisor.
- Se necesitan dos o más personas (tres o más personas para el KD-85XG85xx) para transportar un televisor grande.
- Al transportar el televisor manualmente, sujételo de la forma descrita a continuación. No ejerza presión sobre la pantalla LCD ni el marco que la rodea.
- Al levantar o mover el televisor, sujételo con firmeza por su parte inferior.

#### KD-85XG85xx



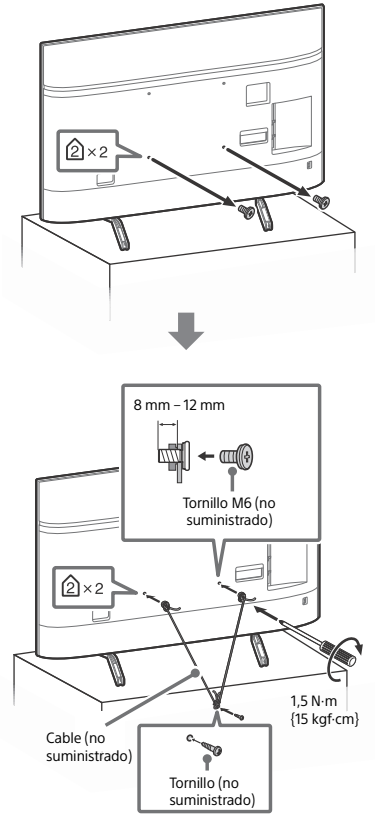
#### KD-75/65/55XG87xx, KD-75/65/55XG85xx



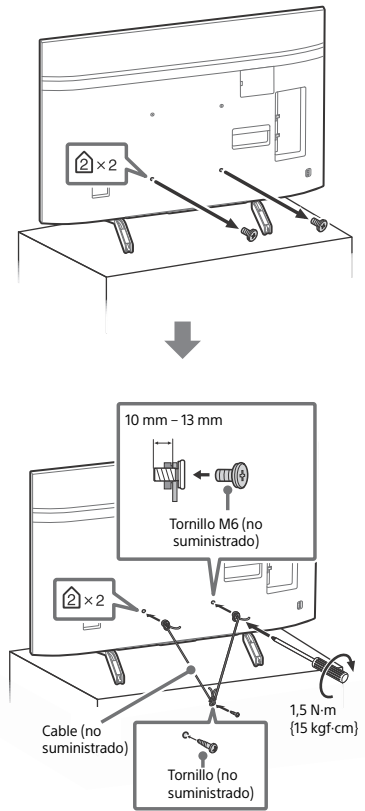
- Durante el transporte, no someta el televisor a sacudidas o vibraciones excesivas.
- Cuando transporte el televisor para repararlo o cuando lo cambie de sitio, embálelo con la caja y el material de embalaje originales.

# Prevención de volcado

KD-85XG85xx

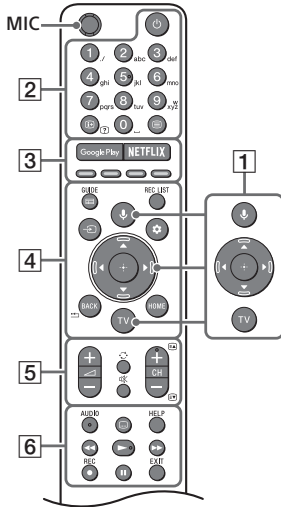


KD-75/65/55XG87xx, KD-75/65/55XG85xx



# Mando a distancia y televisor

La forma del mando a distancia, la posición, la disponibilidad y la función de los botones del mando a distancia pueden variar en función del país, la región o el modelo de televisor.



**1** **🔊 (Micrófono):** Utilice la búsqueda por voz. (Por ejemplo, puede buscar distintos contenidos a través de comandos de voz.)\*1

### ▲/▼/◀/▶/+ (D-Pad direccional):

Navegación y selección de menús en pantalla.

**TV:** Permite cambiar a un canal de televisión o a una entrada y ver el menú del TV.

**2** **🔌 (Modo en espera del televisor)**

### Botones numéricos

#### ℹ️/? (Información/datos de texto):

Permite acceder a información.

📄 (Texto): Permite acceder a información de texto.

**3** **Google Play**

**NETFLIX (Solo en algunos países/regiones/modelos de televisor)**

### Botones de colores

**4** **GUIDE/☰:** Visualice la guía de programas digitales o el EPG del decodificador de cable/satélite\*2.

**REC LIST:** Visualice la lista de grabación de USB HDD o DVR\*2.

➡️ **(Selección de la entrada):** Permite ver y seleccionar la fuente de entrada u otras.

⚙️ **(Configuración rápida):** Visualice la configuración rápida.

**BACK/◀️**

**HOME**

**5** **🔊 +/- (Volumen)**

⏩ **(Saltar)**

🔇 **(Silenciamiento)**

### Sugerencia

- El servicio de atajos de accesibilidad se puede activar o desactivar si se presiona y se mantiene 🔇.

### CH +/-/⏪/⏩

En el modo televisión: Permite seleccionar el canal.

En el modo texto: Permite seleccionar la página siguiente (⏪) o la página anterior (⏩).

**6** **AUDIO:** Seleccione el sonido de la fuente multilingüe o el sonido dual (según la fuente del programa).

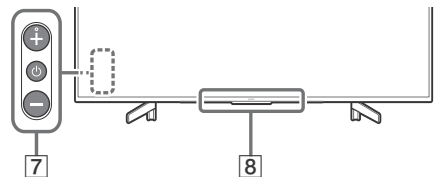
⋮ **(Ajuste de subtítulos)**

**HELP:** Permite acceder al menú de ayuda.

⏮️/⏭️/⏮️/⏭️

● **REC:** Grabe el programa que está mirando en el USB HDD o el DVR\*2.

### EXIT



**7** **🔌 (Alimentación)**

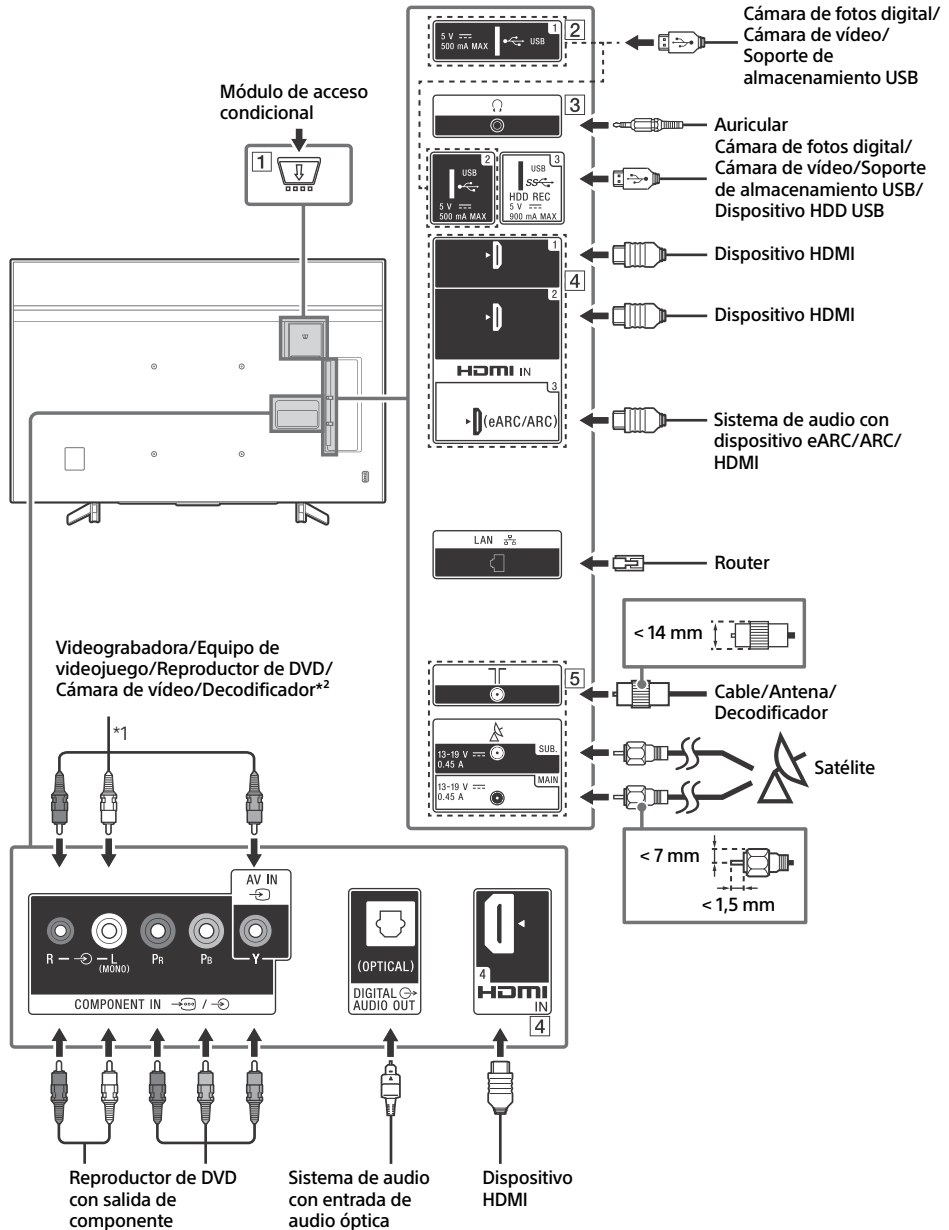
**8** **Sensor del mando a distancia / Sensor de luz / LED de iluminación**

\*1 La función de búsqueda por voz requiere una conexión a Internet.

\*2 El ajuste de [Configuración del decodificador de cable/satélite] es necesario (solo en algunos países/regiones/modelos de televisor). Para obtener más información, consulte la Guía de ayuda.

# Diagrama de conexiones

Para obtener más información sobre las conexiones, pulse **HELP** en el mando a distancia para consultar la Guía de ayuda.



## 1 CAM (módulo de acceso condicional)

- Permite acceder a servicios de televisión de pago. Para obtener más información, consulte el manual de instrucciones suministrado con su CAM.
- No inserte la tarjeta inteligente directamente en la ranura CAM del televisor. Debe colocarse en el módulo de acceso condicional proporcionado por su distribuidor autorizado.
- No es posible utilizar la tecnología CAM en algunos países y zonas. Consúltelo a su distribuidor autorizado.
- Es posible que aparezca un mensaje del CAM al acceder a un programa digital después de utilizar el vídeo por Internet.

## 2 USB 1/2, USB 3 (HDD REC)\*<sup>3</sup>

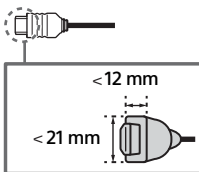
- La conexión de un dispositivo USB grande puede interferir con otros dispositivos conectados que tenga al lado.
- Cuando tenga que conectar un dispositivo USB grande, conéctelo a la toma USB 1.
- Conecte un dispositivo HDD USB al puerto USB 3 (azul).

## 3 (Auricular)

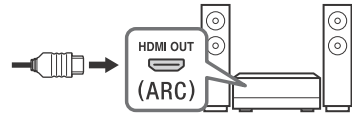
- Soporta solo minitoma estéreo de 3 polos.
- No es posible emitir sonido desde el auricular y los altavoces del televisor al mismo tiempo.

## 4 HDMI IN 1/2/3/4

- La interfaz HDMI es capaz de transmitir el vídeo y el audio digital por un solo cable.



- Para disfrutar de contenidos 4K 50p/60p de alta calidad, conecte un cable HDMI premium de alta velocidad y cambie [Formato de señal HDMI] a [Formato mejorado]. Realice este ajuste individualmente para cada terminal HDMI IN conectado. Para obtener más información sobre los formatos compatibles, consulte "Especificaciones" en este manual (página 10-12).
- **HDMI IN 3 eARC/ARC (Enhanced Audio Return Channel/Audio Return Channel)** Conecte su sistema de audio a HDMI IN 3 para enviar el audio del televisor a su sistema de audio. Un sistema de audio que admita HDMI eARC/ARC es capaz de enviar la señal de vídeo al televisor y recibir el audio del televisor por el mismo cable HDMI. Si su sistema de audio no admite HDMI eARC/ARC, necesitará una conexión adicional con DIGITAL AUDIO OUT (OPTICAL).
- Use el cable HDMI con Ethernet para conectar el sistema de audio con eARC.



## 5 (Entrada RF), (Entrada de satélite)

- Conexiones para televisión terrestre/cable y satélite. Pasos para la conexión: SUB. → MAIN → Antena
- Para el conector SUB., conéctelo solo cuando utilice el modo de sintonizador doble excepto para Distribución de cable único EN50494.

\*1 Al conectar un equipo mono, conéctelo al conector de audio L (MONO).

\*2 Para un dispositivo externo que solo dispone de SCART AV OUT, utilice un adaptador SCART-RCA.

\*3 Solo en algunos países/regiones/modelos de televisor.

# Instalación del televisor en una pared

## Utilización del Soporte de pared opcional

El manual de instrucciones de este televisor solo proporciona los pasos para preparar el televisor para su instalación en la pared antes de su montaje en la pared.

### Para los clientes:

Por motivos de protección del producto y de seguridad, Sony recomienda dejar la instalación del televisor en manos de distribuidores Sony o proveedores autorizados. Nunca intente realizar la instalación sin ayuda.

### Para distribuidores y contratistas de Sony:

Preste especial atención a la seguridad durante la instalación, el mantenimiento periódico y las revisiones de este producto.

Para instalar este producto, es necesario disponer de conocimientos suficientes, especialmente para determinar si la pared es lo bastante resistente para aguantar el peso del televisor. Deje siempre la instalación de este producto en la pared en manos de distribuidores Sony o proveedores autorizados y preste especial atención a la seguridad durante la instalación. Sony no se hace responsable de daños o lesiones provocados por una manipulación o una instalación incorrectas.

Utilice el Soporte de pared SU-WL450 (no suministrado) para instalar el televisor en la pared.

Al instalar el Soporte de pared, consulte también el Manual de instrucciones y la Guía de instalación suministrados con el Soporte de pared.

### Nota

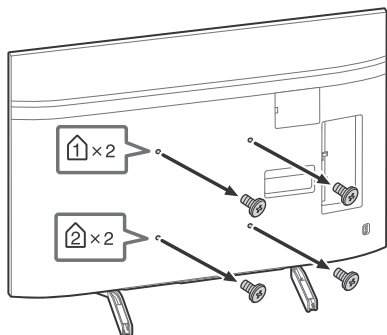
- Guarde los tornillos retirados en un lugar seguro y lejos del alcance de los niños.



Para obtener instrucciones acerca de la instalación del Soporte de pared, consulte la información de instalación (Soporte de pared) en la página del producto de su modelo de televisor.

[www.sony.eu/support/](http://www.sony.eu/support/)

Retire los tornillos de la parte trasera del televisor.

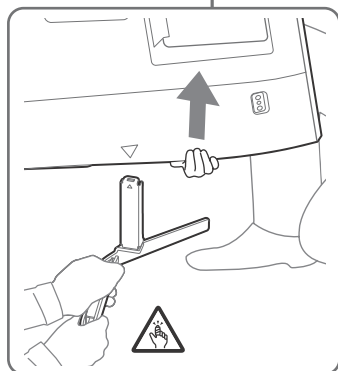
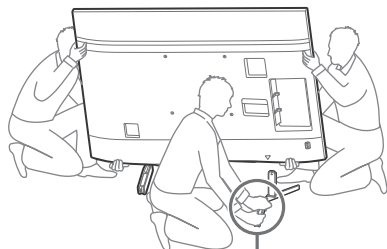




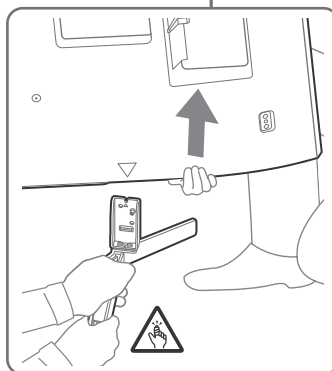
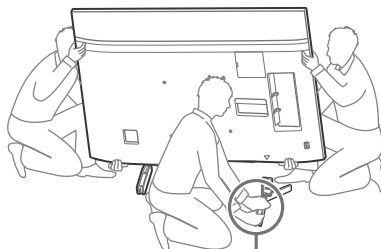
## Desmonte el soporte de sobremesa del televisor

- 1 Retire de a una las esquinas del soporte de sobremesa. Sujete con firmeza el soporte de sobremesa con ambas manos de forma segura mientras otras personas levantan el televisor.

KD-85XG85xx



KD-75/65/55XG87xx, KD-75/65/55XG85xx



- 2 Repita el paso anterior y retire la otra esquina del soporte de sobremesa.

### Nota

- Se necesitan tres o más personas para desmontar el soporte de sobremesa.
- Tenga cuidado de no aplicar fuerza excesiva mientras desmonta el soporte de sobremesa del televisor, ya que podría caerse y provocar daños personales o materiales.
- Manipule el soporte de sobremesa con cuidado para no dañar el televisor.
- Tenga cuidado al levantar el televisor ya que si se desprende el soporte de sobremesa, este podría desequilibrarse y provocar lesiones personales.
- Tenga cuidado al retirar el soporte de sobremesa del televisor para evitar que se caiga y dañe la superficie sobre la que está el televisor.

## Solución de problemas

Para la solución de problemas generales en situaciones como, por ejemplo, pantalla negra, no hay sonido, imagen congelada, el televisor no responde o la conexión de red se ha perdido, realice los pasos siguientes.

- 1 Reinicie el televisor pulsando el botón de encendido en el mando a distancia hasta que aparezca un mensaje. El televisor se reiniciará. Si el televisor no se recupera, intente desenchufar el cable de corriente. Luego presione el botón de encendido del televisor y espere dos minutos; luego vuelva a conectar el cable de electricidad.
- 2 Para consultar el menú Ayuda, pulse **HELP** en el mando a distancia.
- 3 Conecte el televisor a Internet y realice una actualización de software. Sony recomienda actualizar siempre el software del televisor. Las actualizaciones de software mejoran el rendimiento del televisor y añaden nuevas funciones.
- 4 Visite el sitio web de soporte de Sony (encontrará la información en la portada de este manual).

### **Al conectar el televisor, es posible que no se encienda aunque pulse el botón de encendido del mando a distancia o del televisor.**

El sistema tarda un tiempo en inicializarse. Espere aproximadamente un minuto y vuelva a intentarlo.

## Problemas y soluciones

### **Cuando el LED de iluminación parpadea en rojo.**

- Cuente las veces que ha parpadeado (el intervalo de tiempo es de tres segundos). Reinicie el televisor desconectándolo de la corriente hasta que el LED de iluminación deje de emitir destellos rojos; luego encienda el televisor. Si el problema continúa, desconecte el cable de alimentación y póngase en contacto con su distribuidor o centro de servicio técnico de Sony e indique las veces que el LED de iluminación ha parpadeado.

### **No se recibe el servicio terrestre/cable.**

- Revise la conexión de la antena/cable y la configuración del sintonizador.

- Seleccione el servicio de cable/tierra presionando **TV** en el control remoto y luego seleccione [Digital] si el servicio de transmisión no se muestra.
- La señal terrestre puede quedar anulada si está cerca de otra señal intensa. Ajuste [LNA (Canal ---)] a [No] en los ajustes de sintonización digital.
- Después de mudarse a un nuevo hogar o intentar recibir nuevos servicios, seleccione [Sintonización Digital] para probar un servicio.

### **No se recibe el servicio de satélite.**

- Revise la conexión del cable de satélite.
- Cuando aparezca el mensaje [Sin señal. Se detecta sobrecarga en el LNB...], desenchufe el cable de alimentación. A continuación, asegúrese de que el cable de satélite no esté dañado y que la línea de la señal de satélite no esté cortocircuitada en el conector de satélite.

### **El mando a distancia no funciona.**

- Cambie las pilas.

### **Se ha olvidado la contraseña del bloqueo paterno de emisión.**

- Introduzca el código PIN 9999 y seleccione [Cambiar el código PIN].

### **La carcasa del televisor se calienta.**

- Cuando se utiliza el televisor durante un largo período de tiempo, la carcasa del televisor se calienta. Si toca esa zona con la mano, podrá notar el calor.

## Especificaciones

### **Sistema**

Sistema de panel

Panel LCD (pantalla de cristal líquido), Retroiluminación LED

Sistema de televisión

Según el país/selección de área/modelo de televisor

Analogico: B/G, D/K, I

Digital: DVB-T/DVB-C  
DVB-T2<sup>1</sup>

Satélite<sup>1</sup>: DVB-S/DVB-S2

Sistema de color

PAL/SECAM/NTSC3.58 (Sólo video)/NTSC4.43 (Sólo video)

Cobertura de canales

Según el país/selección de área/modelo de televisor

Analogico: UHF/VHF/Cable

Digital: UHF/VHF/Cable

Satélite<sup>1</sup>: Frecuencia IF 950-2 150 MHz

Salida de sonido

10 W + 10 W

Tecnología inalámbrica

Protocolo IEEE802.11ac/a/b/g/n

(Es posible que IEEE802.11ac no esté disponible en función de los países/regiones.)

Bluetooth versión 4.2

## Bandas de frecuencia

LAN inalámbrica (IEEE802.11ac/a/b/g/n)	
Intervalo de frecuencias	Potencia de salida
2 400-2 483,5 MHz	< 20,0 dBm
5 150-5 250 MHz	< 23,0 dBm
5 250-5 350 MHz	< 20,0 dBm
5 470-5 725 MHz	< 20,0 dBm
5 725-5 850 MHz	< 13,9 dBm

Bluetooth	
Intervalo de frecuencias	Potencia de salida
2 400-2 483,5 MHz	< 10,0 dBm

## RMF-TX600E/TX500E

Bluetooth	
Intervalo de frecuencias	Potencia de salida
2 400-2 483,5 MHz	< 10,0 dBm

## Versión del software

Este equipo de radio está diseñado para ser usado con las versiones aprobadas del software que se indican en la Declaración de Conformidad de la UE.

Para conocer la versión del software pulse **HELP** en el mando a distancia.

Mando a distancia: **-----**

Selección [Control remoto] → [Versión del software] en [Ajustes]. Para obtener más información, consulte la Guía de ayuda.

El software cargado en este equipo de radio está verificado y cumple con los requisitos esenciales de la Directiva 2014/53/UE.

## Conectores de entrada/salida

### Antena/Cable

Terminal externo de 75 ohmios para VHF/UHF

### Antena de satélite\*1

Conector tipo F hembra, 75 ohmios.

DiSEqC 1.0, LNB 13 V/18 V y tono de 22 kHz, Distribución de cable único EN50494.

### COMPONENT IN

YPaPn (vídeo por componentes): 1080p (50, 60 Hz), 1080i (50, 60 Hz), 720p (50, 60 Hz), 576p, 576i, 480p, 480i

Entrada de audio (conectores fonográficos)

### AV IN

Entrada de vídeo (clavija fonográfica normal con entrada Y)

HDMI IN 1/2/3/4 (compatibles con resolución 4K,

Compatible con HDCP 2.3)

Vídeo:

4096 × 2160p (50, 60 Hz)\*2+3, 4096 × 2160p (24 Hz)\*2, 3840 × 2160p (50, 60 Hz)\*3, 3840 × 2160p (24, 25, 30 Hz), 1080p (30, 50, 60 Hz), 1080/24p, 1080i (50, 60 Hz), 720p (30, 50, 60 Hz), 720/24p, 576p, 480p, Formatos de PC\*4

Audio:

En el modo eARC (Enhanced Audio Return Channel)\*5  
Consulte la Guía de ayuda para obtener más detalles.

Excepto en el modo eARC

PCM lineal de 5,1 canales: 32/44,1/48/88,2/96/176,4/192 kHz 16/20/24 bits, Dolby Digital, Dolby Digital Plus, DTS

eARC/ARC (Enhanced Audio Return Channel/Audio Return Channel) (sólo HDMI IN 3)

En el modo eARC\*5

Consulte la Guía de ayuda para obtener más detalles.

En el modo ARC

PCM lineal de dos canales: 48 kHz 16 bits, Dolby Digital, Dolby Digital Plus, DTS

## DIGITAL AUDIO OUT (OPTICAL)

Toma digital óptica (PCM lineal de dos canales: 48 kHz 16 bits, Dolby Digital, DTS)

## (minitoma estéreo)

Auricular

## 1, 2, SS 3 (HDD REC)\*6

Puerto para dispositivo USB (dispositivo HDD SS 3 USB para función REC)

Los puertos USB 1 y 2 son compatibles con USB de alta velocidad (USB 2.0)

El puerto USB 3 es compatible con Super Speed USB (USB 3.1 Gen 1)



Ranura CAM (módulo de acceso condicional)



LAN

Conector 10BASE-T/100BASE-TX (La velocidad de conexión puede variar según el entorno operativo de la red. No se garantizan la frecuencia y la calidad de comunicación).

## Otros

### Accesorios opcionales

Soporte de pared: SU-WL450

### Temperatura de funcionamiento

De 0 °C a 40 °C

### Humedad de funcionamiento

10 % - 80 % RH (sin condensación)

## Alimentación, ficha de producto y otros

### Requisitos de alimentación

220 V - 240 V CA, 50 Hz

### Categoría de eficiencia energética

KD-85XG85xx: A

KD-75XG87xx / KD-75XG85xx: A+

KD-65XG87xx / KD-65XG85xx: A

KD-55XG87xx / KD-55XG85xx: A

### Tamaño de la pantalla (medida diagonalmente) (Aprox.)

KD-85XG85xx: 214,8 cm / 85 pulgadas

KD-75XG87xx / KD-75XG85xx: 189,3 cm / 75 pulgadas

KD-65XG87xx / KD-65XG85xx: 163,9 cm / 65 pulgadas

KD-55XG87xx / KD-55XG85xx: 138,8 cm / 55 pulgadas

### Consumo de energía

En el modo [Estándar]

KD-85XG85xx: 216 W

KD-75XG87xx / KD-75XG85xx: 158 W

KD-65XG87xx / KD-65XG85xx: 127 W

KD-55XG87xx / KD-55XG85xx: 111 W

En el modo [Viva]

KD-85XG8596: 362 W

KD-75XG8796: 275 W

KD-75XG8599: 275 W

KD-75XG8596: 275 W

KD-75XG8588: 275 W

KD-75XG8505: 275 W

KD-65XG8796: 221 W

KD-65XG8599: 221 W

KD-65XG8596: 221 W

KD-65XG8588: 221 W

KD-65XG8577: 221 W

KD-65XG8505: 221 W

KD-55XG8796: 186 W

KD-55XG8599: 186 W

KD-55XG8596: 186 W

KD-55XG8588: 186 W

KD-55XG8577: 186 W

KD-55XG8505: 186 W

### Consumo de energía anual\*7

KD-85XG85xx: 300 kWh por año

KD-75XG87xx / KD-75XG85xx: 219 kWh por año

KD-65XG87xx / KD-65XG85xx: 176 kWh por año

KD-55XG87xx / KD-55XG85xx: 154 kWh por año

Consumo de energía en modo de espera\*8,9  
0,50 W (25 W en el modo de actualización del software/EPG)

### Resolución de la pantalla

3 840 puntos (horizontal) × 2 160 líneas (vertical)

### Potencia de salida

USB 1/2

5 V ---, 500 mA MÁX.

USB 3

5 V ---, 900 mA MÁX.

## Dimensiones (Aprox.) (ancho x alto x fondo)

con soporte de sobremesa

KD-85XG85xx: 190,9 × 117,5 × 43,3 cm  
KD-75XG87xx / KD-75XG85xx: 167,3 × 103,1 × 35,8 cm  
KD-65XG87xx / KD-65XG85xx: 145,0 × 89,9 × 31,6 cm  
KD-55XG87xx / KD-55XG85xx: 123,1 × 77,6 × 31,6 cm

sin soporte de sobremesa

KD-85XG85xx: 190,9 × 109,7 × 8,0 cm  
KD-75XG87xx / KD-75XG85xx: 167,3 × 96,3 × 5,4 cm  
KD-65XG87xx / KD-65XG85xx: 145,0 × 83,6 × 5,2 cm  
KD-55XG87xx / KD-55XG85xx: 123,1 × 71,3 × 5,2 cm

## Peso (Aprox.)

con soporte de sobremesa

KD-85XG85xx: 49 kg  
KD-75XG87xx / KD-75XG85xx: 39,3 kg  
KD-65XG87xx / KD-65XG85xx: 26,3 kg  
KD-55XG87xx / KD-55XG85xx: 19,7 kg

sin soporte de sobremesa

KD-85XG85xx: 46,5 kg  
KD-75XG87xx / KD-75XG85xx: 37,8 kg  
KD-65XG87xx / KD-65XG85xx: 25,3 kg  
KD-55XG87xx / KD-55XG85xx: 18,7 kg

- \*1 No todos los televisores cuentan con la tecnología DVB-T2 o DVB-S/S2 o un terminal de antena de satélite.
- \*2 Si se introduce 4096 × 2160p y [Modo horizontal] se cambia a [Normal], la resolución mostrada será 3840 × 2160p. Para ver 4096 × 2160p, cambie el ajuste de [Modo horizontal] a [Completo 1] o [Completo 2].
- \*3 Para admitir los 18 Gbps, cambie [Formato de señal HDMI] a [Formato mejorado].
- \*4 Consulte la Guía de ayuda para obtener más detalles.
- \*5 El modo eARC está activo cuando [Modo eARC] está ajustado en [Auto], [Altavoz] en [Sistema de Audio] y se conecta un sistema de audio compatible con eARC.
- \*6 Solo en algunos países/regiones/modelos de televisor.
- \*7 Consumo de energía en kWh al año, con el televisor funcionando 4 horas al día durante 365 días. El consumo de energía real depende de la frecuencia de uso del televisor.
- \*8 El consumo de energía en modo de espera especificado se alcanza cuando el televisor termina los procesos internos necesarios.
- \*9 El consumo de energía en modo de espera aumenta si el televisor está conectado a la red.

## Nota


- No retire la tarjeta simulada ni la tapa (depende del modelo de TV) de la ranura TV CAM (módulo de acceso condicional) a menos que vaya a introducir una tarjeta inteligente alojada en un CAM.
- La disponibilidad de los accesorios opcionales depende del país, la región, el modelo de televisor y las existencias.
- El diseño y las especificaciones están sujetos a cambios sin previo aviso.

## Notas sobre la función de Televisión digital

- Es posible que los servicios interactivos y las funciones de la red de televisión digital (DVB terrestre, por satélite o por cable) no estén disponibles en todos los países o regiones. Es posible que algunas funciones estén inhabilitadas o que no funcionen correctamente con algunos proveedores y entornos de red. Algunos proveedores de servicio de televisión pueden cobrar una tarifa por sus servicios.
- Este televisor es compatible con emisiones digitales con codificación MPEG-2, H.264/MPEG-4 AVC y H.265/HEVC, aunque no es posible garantizar la compatibilidad con todos los operadores y señales de servicio, dado que con el tiempo pueden variar.

## Información sobre las marcas comerciales

- Los términos HDMI y HDMI High-Definition Multimedia Interface, y el Logotipo HDMI son marcas comerciales o marcas registradas de HDMI Licensing Administrator, Inc. en los Estados Unidos y en otros países.
- Dolby, Dolby Vision, Dolby Audio y el símbolo de la doble D son marcas comerciales de Dolby Laboratories. Fabricado con la licencia de Dolby Laboratories. Documentos confidenciales sin publicar. Copyright © 1992-2015 Dolby Laboratories. Todos los derechos reservados.

- "BRAVIA", BRAVIA y BRAVIA Sync son marcas comerciales o marcas registradas de Sony Corporation.
- Gracenote, el símbolo y el logotipo de Gracenote y el logotipo "Powered by Gracenote" son marcas comerciales registradas o marcas comerciales de Gracenote, Inc. en Estados Unidos y/u otros países.
- Vewd® Core. Copyright 1995-2019 Vewd Software AS. All rights reserved.
- Google, Google Play, Chromecast, YouTube, Android TV y otras marcas y logotipos relacionados son marcas comerciales de Google LLC.
- Wi-Fi®, Wi-Fi Alliance® y Wi-Fi Direct® son marcas registradas de Wi-Fi Alliance.
- El logotipo Wi-Fi CERTIFIED™ es una marca de certificación de Wi-Fi Alliance.
- Para obtener información sobre las patentes DTS, consulte <http://patents.dts.com>. Fabricado con licencia de DTS, Inc. DTS, su símbolo y DTS y el símbolo son marcas comerciales registradas y DTS Digital Surround es una marca comercial de DTS, Inc. © DTS, Inc. Todos los derechos reservados.
- Los logotipos y el nombre de la marca Bluetooth® son marcas registradas propiedad de Bluetooth SIG, Inc. y el uso de dichas marcas por parte de Sony Corporation es siempre con la licencia correspondiente. El resto de marcas comerciales y nombres comerciales son propiedad de sus respectivos propietarios.
- Netflix es una marca comercial registrada de Netflix, Inc.
- DiSEqC™ es una marca comercial de EUTELSAT. Este televisor es compatible con DiSEqC 1.0. Este televisor no está diseñado para controlar antenas motorizadas.
- TUXERA es una marca comercial registrada de Tuxera Inc. en los EEUU y otros países.
- El símbolo del tridente de USB SuperSpeed de USB-IF es una marca comercial registrada de USB Implementers Forum, Inc. 
- Todas las demás marcas comerciales son propiedad de sus respectivos propietarios.





Zie de installatiehandleiding voor het bevestigen van de tafelstandaard.

## Inhoudsopgave

BELANGRIJK BERICHT .....	2
Veiligheidsinformatie .....	3
Afstandsbediening en tv .....	5
Aansluitschema .....	6
De televisie op de wand installeren .....	8
De optionele Wandmontagesteun gebruiken .....	8
Maak de tafelstandaard los van de televisie .....	9
Problemen oplossen .....	10
Problemen en oplossingen .....	10
Specificaties .....	10

### Internetverbinding en privacy van de gegevens

Dit product maakt, zodra een netwerk is aangesloten, verbinding met het internet bij de eerste instelling om de internetverbinding te bevestigen en later om het homescherm te configureren. Hiervoor en voor alle andere internetverbindingen wordt uw IP-adres gebruikt. Als u wilt dat uw IP-adres helemaal niet wordt gebruikt, moet u de draadloze internetfunctie niet instellen en geen internetkabel aansluiten. Zie hiervoor de privacyinformatie die op de instelschermen wordt weergegeven voor meer details over de internetverbinding.

## Inleiding

Bedankt dat u hebt gekozen voor dit Sony product. Alvorens de televisie te gebruiken, dient u deze handleiding volledig door te lezen. Bewaar de handleiding voor raadpleging in de toekomst.

### Opmerkingen

- Lees voor het bedienen van de televisie de "Veiligheidsinformatie" (pagina 3).
- Lees de meegeleverde veiligheidsinformatie voor extra informatie over veiligheid.
- De afbeeldingen en illustraties die in de installatiehandleiding en de handleiding worden gebruikt, gelden uitsluitend als referentie en kunnen van het actuele product afwijken.
- De "xx" die wordt weergegeven in de modelnaam komt overeen met een cijfer dat betrekking heeft op het ontwerp, de kleur of het tv-systeem.

## Help

U kunt meer informatie over probleemoplossing en andere handige tips direct op uw televisie vinden. Druk op de afstandsbediening op **HELP** voor een lijst met onderwerpen of om op trefwoord te zoeken.

### Helpgids (handleiding)

Selecteer voor meer gedetailleerde informatie [Helpgids] in het helpmenu op uw televisie. U kunt ook de helpgids bekijken op uw pc of smartphone (informatie aangegeven op de achterkant van deze handleiding).

## Locatie van het identificatielabel

Het label met het modelnummer, de productiedatum (jaar/maand) en de voedingsklasse bevinden zich op de achterkant van de tv en verpakking.

## BELANGRIJK BERICHT

### Opmerking voor radioapparatuur



Hierbij verklaart Sony Visual Products Inc.

dat de types radioapparatuur KD-85XG8596, KD-75XG8796, KD-75XG8599, KD-75XG8596, KD-75XG8588, KD-75XG8505, KD-65XG8796, KD-65XG8599, KD-65XG8596, KD-65XG8588, KD-65XG8577, KD-65XG8505, KD-55XG8796, KD-55XG8599, KD-55XG8596, KD-55XG8588, KD-55XG8577, KD-55XG8505 conform zijn met Richtlijn 2014/53/EU. De volledige tekst van de EU-conformiteitsverklaring kan worden geraadpleegd op het volgende internetadres: <http://www.compliance.sony.de/>

Opmerking voor klanten: de volgende informatie is enkel van toepassing voor apparaten die verkocht worden in landen die de EU-richtlijnen in acht nemen.

Voor deze radioapparatuur gelden in AT, BE, HR, CY, CZ, DK, EE, FI, FR, DE, EL, HU, IE, IT, LV, LT, LU, MT, NL, PL, PT, SK, SI, ES, SE, UK, IS, LI, NO, CH, BG, RO, TR, AL, BA, MK, MD, RS, ME en Kosovo de volgende beperkingen op het in gebruik nemen of op de voorschriften voor toestemming tot het gebruik : de 5.150 - 5.350 MHz-band mag uitsluitend binnen worden gebruikt.

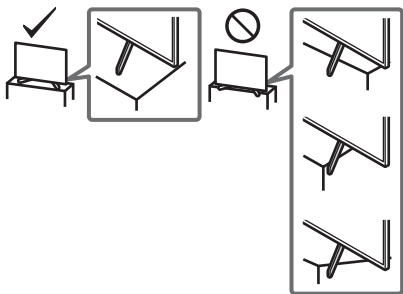
## Veiligheidsinformatie

### Installatie/configuratie

Installeer en gebruik de televisie volgens de instructies hieronder zodat het risico van brand, elektrische schok, schade en/of letsel wordt voorkomen.

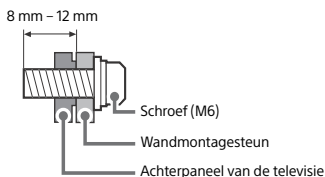
#### Installatie

- Het televisietoestel moet in de buurt van een goed toegankelijk stopcontact worden geplaatst.
- Plaats het televisietoestel op een stabiel, horizontaal oppervlak zodat het toestel niet kan vallen en geen persoonlijk letsel of materiële schade wordt veroorzaakt.
- Zet de televisie op een plaats waar er niet aan getrokken of tegen gedruwd kan worden, en waar deze niet omver kan vallen.
- Plaats de tv zo dat de tv-standaard niet buiten de rand van het televisiemeubel (niet bijgeleverd) steekt. Als de tv-standaard buiten de rand van het televisiemeubel steekt, kan de tv omkantelen of vallen en dat kan persoonlijk letsel of beschadiging van het toestel tot gevolg hebben.

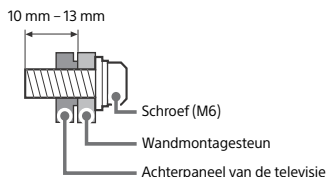


- Laat wandinstallaties alleen door gekwalificeerd servicepersoneel uitvoeren.
- Het wordt om veiligheidsredenen aanbevolen accessoires van Sony te gebruiken, zoals:
  - Wandmontagesteun SU-WL450
- Gebruik de schroeven die bij de Wandmontagesteun geleverd zijn voor het bevestigen van de Wandmontagesteun aan het televisietoestel. De bijgeleverde schroeven zijn ontworpen zoals aangegeven op de afbeelding, wanneer gemeten vanaf het bevestigingsoppervlak van de Wandmontagesteun. De diameter en de lengte van de schroeven verschillen naar gelang het model van de Wandmontagesteun. Het gebruik van andere schroeven dan de meegeleverde schroeven kan resulteren in interne schade van het televisietoestel of kan ertoe leiden dat de televisie valt enz.

#### KD-85XG85xx



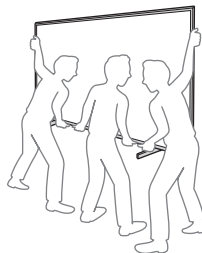
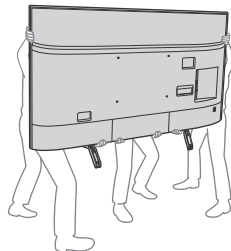
#### KD-75/65/55XG87xx, KD-75/65/55XG85xx



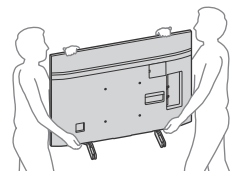
#### Transport

- Voordat u het televisietoestel transporteert, moet u alle snoeren loskoppelen.
- Voor het transport van een groot tv-toestel zijn twee of drie personen (drie of meer personen voor KD-85XG85xx) nodig.
- Wanneer de televisie met de hand wordt gedragen, dient u deze als volgt vast te houden. Druk niet tegen het LCD-scherm en het kader rond het scherm.
- Wanneer u het televisietoestel optilt of verplaatst, moet u het stevig aan de onderzijde vastpakken.

#### KD-85XG85xx



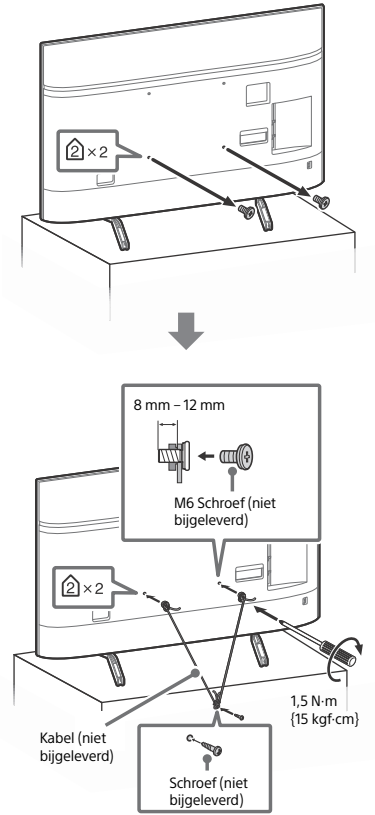
#### KD-75/65/55XG87xx, KD-75/65/55XG85xx



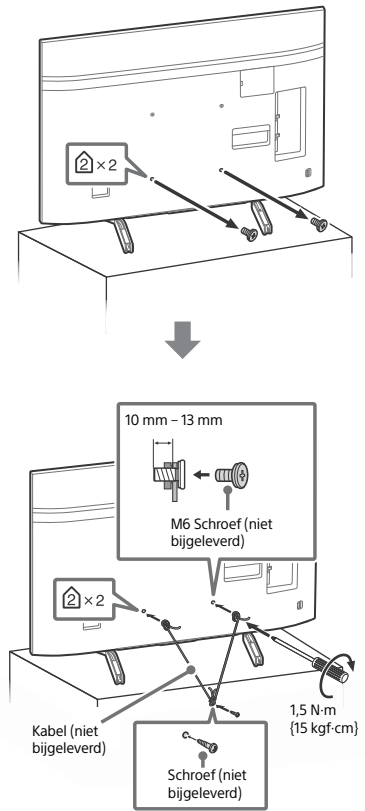
- Wanneer u het televisietoestel vervoert, mag u dit niet blootstellen aan schokken of sterke trillingen.
- Wanneer u het televisietoestel naar de reparateur brengt of vervoert, verpakt u het in de oorspronkelijke doos en verpakkingsmaterialen.

# Omvalpreventie

KD-85XG85xx



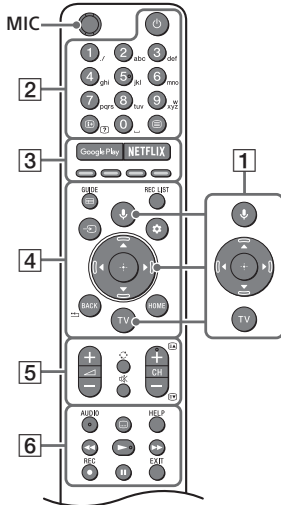
KD-75/65/55XG87xx, KD-75/65/55XG85xx





# Afstandsbediening en tv

De vorm van de afstandsbediening, locatie, beschikbaarheid en functie van de toetsen van de afstandsbediening kunnen verschillen afhankelijk van uw regio/land/tv-model.



- 1** **🎤 (Microfoon):** Gebruik gesproken zoekopdrachten. (bv. verschillende types inhoud zoeken aan de hand van spraakopdrachten.)\*<sup>1</sup>
- ▲/▼/◀/▶/⊕ (navigatie pijltjesknop):** Menu voor navigatie en selectie op het scherm.
- TV:** Overschakelen naar een televisiekanaal of ingang en weergave van het tv-menu.

- 2** **🔌 (tv-stand-by)**
- Cijfertoetsen**
- ℹ️/? (Info/Tekst tonen):** Hiermee kunt u informatie weergeven.
- ☰ (Teletekst):** Hiermee kunt u tekstinformatie weergeven.

- 3** **Google Play**
- NETFLIX (Beperkt tot bepaalde regio's/landen/tv-modellen)**
- Kleurtoetsen**

- 4** **GUIDE/☰:** Weergave van de digitale programmagids of EPG of kabel-/satellietaansluitkastje\*<sup>2</sup>.

**REC LIST:** Weergave van de opnamelijst van USB HDD of DVR\*<sup>2</sup>.

➡️ **(Ingangselectie):** De ingangsbron weergeven en selecteren enz.

⚙️ **(Snelle instellingen):** Weergave van snelle instellingen.

**BACK/⬅️**

**HOME**

- 5** **↕️ +/- (Volume)**
- 🔄 (Overschakelen)**
- 🔊 (Dempen van het geluid)**

**Tip**

- De snelkoppeling naar de toegankelijkheid kan aan- en uitgezet worden door 🔊 ingedrukt te houden.

**CH +/-/⏪/⏩**

In de televisiestand: De zender selecteren.  
In de teletekststand: De volgende (⏪) of vorige (⏩) pagina selecteren.

- 6** **AUDIO:** Selecteer het geluid van een meertalige bron of tweevoudig geluid (afhankelijk van de programmabron).

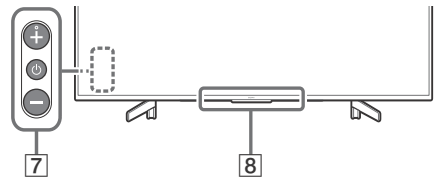
**☰ (Ondertiteling instellen)**

**HELP:** Hiermee kunt u het helpmenu openen.

⏪/▶️/▶️/⏩

- **REC:** Opnemen van het programma dat nu bekeken wordt, op de USB HDD of DVR\*<sup>2</sup>.

**EXIT**



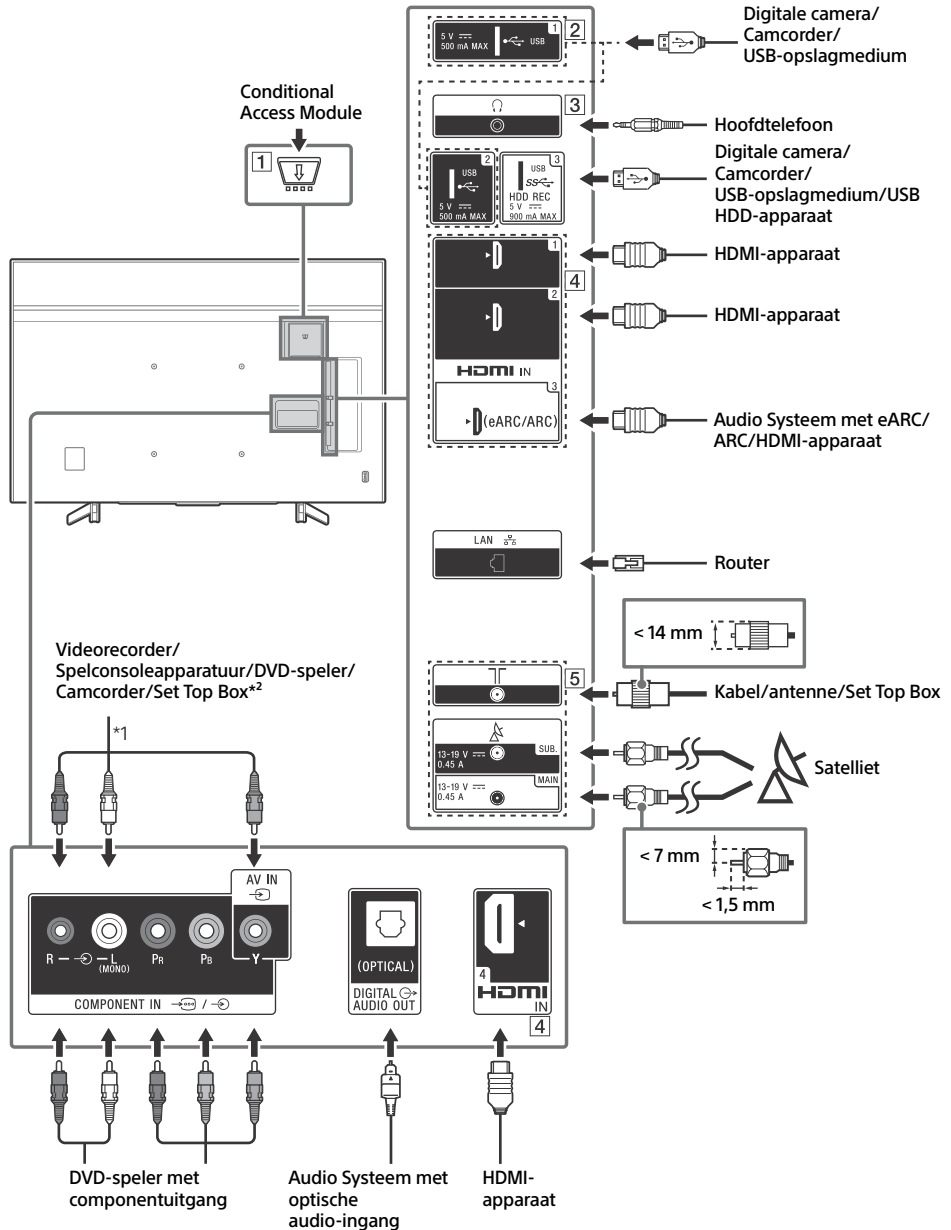
- 7** **🔌 (Aan/uit)**
- 8** **Afstandsbedieningssensor / Lichtsensor / Verlichtingsled**

\*1 Voor gesproken zoekopdrachten is een internetverbinding nodig.

\*2 Instelling van de [Instelling kabel/satellietbox] is vereist (beperkt tot bepaalde regio's/landen/tv-modellen). Zie de Helpgids voor meer informatie.

# Aansluitschema

Zie de Helpgids voor meer informatie over aansluitingen, door **HELP** in te drukken op de afstandsbediening.



### 1 CAM (Conditional Access Module)

- Biedt u toegang tot betaaltelevisieservices. Zie de gebruiksaanwijzing die bij uw CAM is geleverd voor meer informatie.
- Plaats de smartcard niet rechtstreeks in de CAM-sleuf van de televisie. U moet deze plaatsen in de Conditional Access Module die u hebt gekregen van uw erkende dealer.
- CAM wordt niet in alle landen/regio's ondersteund. Controleer bij uw erkende dealer.
- Er kan een CAM-melding verschijnen wanneer u overschakelt naar een digitaal programma nadat u internetvideo gebruikt hebt.

### 2 USB 1/2, USB 3 (HDD REC)\*<sup>3</sup>

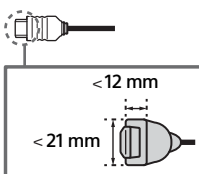
- Als u hierop een groot USB-apparaat aansluit, kan dit andere aangesloten apparaten hinderen.
- Sluit grote USB-apparaten aan op de USB 1-aansluiting.
- Sluit een USB HDD-apparaat aan op de USB 3-poort (blauw).

### 3 (Hoofdtelefoon)

- Ondersteunt alleen een 3-polige stereo mini-aansluiting.
- U kunt het geluid niet gelijktijdig weergeven via de luidsprekers van uw tv en uw hoofdtelefoon.

### 4 HDMI IN 1/2/3/4

- Met de HDMI-interface kunnen digitale video en audio over een enkele kabel worden verzonden.



- Als u wilt genieten van kwalitatief hoogwaardig geluid op 4K 50p/60p, sluit dan een kwalitatief hoogwaardige HDMI-kabel voor hoge snelheden aan en zet de [Indeling HDMI-sigitaal] op [Verbeterde indeling]. Zet deze instelling afzonderlijk voor elke HDMI IN-aansluiting die aangesloten is. Zie de "Specificaties" in deze handleiding (pagina 10-12) voor details over de ondersteunde formaten.
- **HDMI IN 3 eARC/ARC (Enhanced Audio Return Channel/Audio Return Channel)**  
Wilt u het audiosignaal van de televisie naar het audiosysteem sturen, sluit dan uw audiosysteem aan op HDMI IN 3. Een audiosysteem dat HDMI eARC/ARC ondersteunt, kan via dezelfde HDMI-kabel video naar de televisie sturen en audio van de televisie ontvangen. Als uw audiosysteem geen HDMI eARC/ARC ondersteunt, is een extra aansluiting met DIGITAL AUDIO OUT (OPTICAL) nodig.
- Gebruik de HDMI-kabel met ethernet om een audiosysteem met eARC aan te sluiten.



### 5 (RF-ingang), (satellietingang)

- Terrestrische aansluitingen, kabel/satelliet-aansluitingen. Stappen voor aansluiting: SUB. → MAIN → Antenne
- Voor SUB. aansluiting, alleen aansluiten wanneer u een dubbele tunerstand gebruikt m.u.v. de enkele kabel distributie volgens EN50494.

\*1 Maak voor het aansluiten van monoapparatuur verbinding met de L (MONO)-audioaansluiting.

\*2 Gebruik voor een extern apparaat dat alleen SCART AV OUT heeft, een SCART-RCA-adapter.

\*3 Beperkt tot bepaalde regio's/landen/tv-modellen.

# De televisie op de wand installeren

## De optionele Wandmontagesteun gebruiken

De gebruiksaanwijzing van deze televisie geeft alleen de stappen voor installatie van de televisie voor wandmontage, voordat deze op de wand wordt gemonteerd.

### Voor klanten:

Om redenen van productbescherming en veiligheid adviseert Sony ten stelligste dat de installatie van uw televisie wordt uitgevoerd door een Sony-verkoper of door een erkende aannemer. Probeer dit niet zelf te doen.

### Voor Sony-dealers en installateurs:

Schenk voldoende aandacht aan de veiligheid tijdens de installatie, het periodiek onderhoud en het onderzoek van dit product.

Voldoende ervaring is vereist om dit product te installeren, met name om te bepalen of de wand het gewicht van de televisie kan dragen. Vertrouw de bevestiging van dit product op de wand toe aan Sony-verkopers of erkende aannemers en schenk voldoende aandacht aan de veiligheid tijdens de installatie. Sony is niet aansprakelijk voor schade of letsels als gevolg van onjuist handelen of onjuiste installatie.

Monteer de televisie aan de wand met de wandmontagesteun SU-WL450 (niet bijgeleverd). Bij het installeren van de Wandmontagesteun raadpleegt u ook de Gebruiksaanwijzing en de Installatiegids die bij de Wandmontagesteun zijn geleverd.

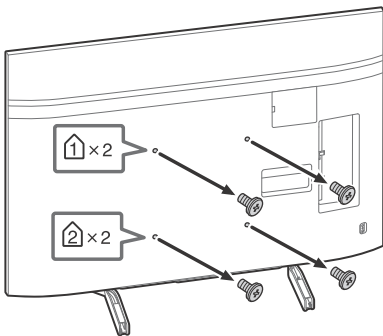
### Opmerkingen

- Bewaar de uitgedraaide schroeven op een veilige plaats en zorg ervoor dat kinderen er niet bij kunnen komen.



Zie voor instructies over montage van de wandmontagesteun de installatie-informatie (wandmontagesteun) op de productpagina van uw televisiemodel.  
[www.sony.eu/support/](http://www.sony.eu/support/)

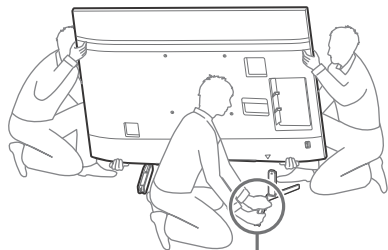
Verwijder de schroeven aan de achterzijde van de televisie.



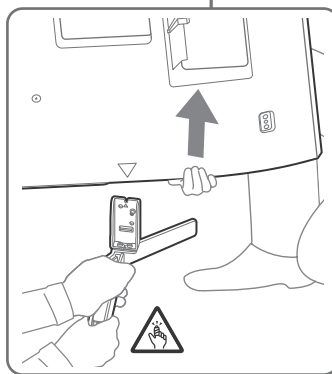
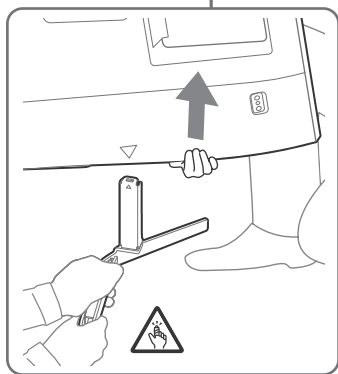
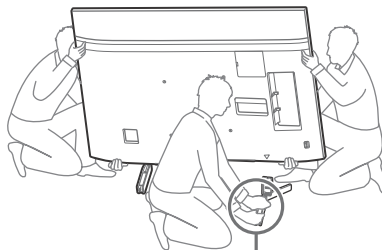
## Maak de tafelstandaard los van de televisie

- 1 Verwijder één zijde van de tafelstandaard tegelijkertijd. Houd de tafelstandaard stevig vast met beide handen terwijl de andere personen de televisie optillen.

KD-85XG85xx



KD-75/65/55XG87xx, KD-75/65/55XG85xx



- 2 Herhaal de vorige stap en verwijder de andere zijde van de tafelstandaard.

### Opmerkingen

- Er zijn drie of meer personen nodig om de tafelstandaard te verwijderen.
- Zorg ervoor dat er niet te veel kracht wordt gebruikt bij het verwijderen van de tafelstandaard van de televisie, omdat daardoor het televisietoestel kan vallen en dit kan persoonlijk letsel of fysieke beschadiging van de televisie tot gevolg hebben.
- Wees voorzichtig met de tafelstandaard om schade aan de televisie te voorkomen.
- Wees voorzichtig bij het optillen van de tv als de tafelstandaard gedemonteerd is, omdat de tafelstandaard kan omvallen en dit persoonlijk letsel tot gevolg kan hebben.
- Wees voorzichtig bij het verwijderen van de tafelstandaard van de tv en voorkom dat deze omvalt en het oppervlak waar de tv op staat beschadigt.

## Problemen oplossen

Voer de volgende stappen uit bij het oplossen van algemene problemen zoals: zwart scherm, geen geluid, bevroren beeld, televisie reageert niet of geen verbinding met netwerk.

- 1 Herstart de tv door de aan-/uitknop op de afstandsbediening in te drukken tot een bericht verschijnt. De televisie zal herstarten. Haal de stekker uit het stopcontact als de tv niet wordt hersteld. Druk dan de aan-/uitknop op de tv in, wacht twee minuten en steek dan de stekker weer in het stopcontact.
- 2 Zie het Helpmenu door **HELP** in te drukken op de afstandsbediening.
- 3 Sluit de televisie aan op het internet en voer een software-update uit. Sony adviseert u om de software van uw tv up to date te houden. Software-updates zorgen voor nieuwe functies en betere prestaties.
- 4 Bezoek de Sony Support-website (zie informatie op de voorkant van deze handleiding).

**Wanneer u de stekker van de tv in het stopcontact steekt, kan de tv mogelijk gedurende enige tijd niet worden ingeschakeld, zelfs niet als u op de aan-/uitknop op de afstandsbediening of op de tv drukt.**

Het initialiseren van het systeem neemt enige tijd in beslag. Wacht ongeveer een minuut en probeer het daarna opnieuw.

## Problemen en oplossingen

**Wanneer de verlichtingsled rood knippert.**

- Tel hoeveel keer het lampje knippert (intervaltijd is drie seconden). Start de televisie opnieuw op door het netsnoer los te koppelen totdat de verlichtingsled niet langer rood knippert en vervolgens de televisie in te schakelen. Als het probleem zich nog steeds voordoet, neem dan contact op met de dealer of het Sony-servicecentrum en vermeld hoe vaak de verlichtingsled knippert.

**Werking via ether/kabel is niet beschikbaar.**

- Controleer de aansluiting van antenne/kabel en de instellingen van de versterker.

- Selecteer werking via ether/kabel door **TV** op de afstandsbediening in te drukken en vervolgens [Digitaal] te selecteren als de zender niet wordt weergegeven.
- Het signaal via de ether zal misschien worden onderdrukt als er dichtbij een sterk signaal wordt uitgezonden. Stel [LNA (CH ---)] in op [Uit], in de digitale afstemmingsinstellingen.
- Probeer een nieuwe zoekopdracht nadat u bent verhuisd of nieuwe diensten probeert te ontvangen, kies [Digitale afstemming].

**Werking via satelliet is niet beschikbaar.**

- Controleer de aansluiting van de satellietkabel.
- Wanneer het bericht [Geen signaal. LNB overbelasting detectie...] wordt weergegeven, moet het netsnoer losgekoppeld worden. Controleer dan of de satellietkabel niet beschadigd is en de lijn van het satelliet signaal niet kortgesloten is in de connector.

**De afstandsbediening werkt niet.**

- Vervang de batterijen.

**U bent het wachtwoord voor uitzendingen met kinderslot vergeten.**

- Voer 9999 in voor de pincode en kies [Wijzig PIN-code].

**De ruimte rond de tv wordt warm.**

- Wanneer de tv langdurig wordt gebruikt, wordt de ruimte rond de tv warm. U kunt daar warmte voelen bij aanraking met de hand.

## Specificaties

### Systeem

Beeldschermstelsysteem

LCD-scherm (Liquid Crystal Display),

LED-achtergrondverlichting

TV-systeem

Afhankelijk van uw land/regioselectie/televisiemodel

Analoog: B/G, D/K, I

Digitaal: DVB-T/DVB-C

DVB-T2\*1

Satelliet\*1: DVB-S/DVB-S2

Kleurensysteem

PAL/SECAM/NTSC3.58 (alleen video)/NTSC4.43 (alleen video)

Beschikbare kanalen

Afhankelijk van uw land/regioselectie/televisiemodel

Analoog: UHF/VHF/Kabel

Digitaal: UHF/VHF/Kabel

Satelliet\*1: 1F-frequentie 950-2.150 MHz

Geluidsuitgang

10 W + 10 W

Draadloze technologie

Protocol IEEE802.11ac/a/b/g/n

(IEEE802.11ac is mogelijk niet beschikbaar afhankelijk van uw land/regio.)

Bluetooth versie 4.2

## Frequentieband(en)

Draadloos LAN (IEEE802.11ac/a/b/g/n)	
Frequentiebereik	Uitgangsvermogen
2.400-2.483,5 MHz	< 20,0 dBm
5.150-5.250 MHz	< 23,0 dBm
5.250-5.350 MHz	< 20,0 dBm
5.470-5.725 MHz	< 20,0 dBm
5.725-5.850 MHz	< 13,9 dBm

Bluetooth	
Frequentiebereik	Uitgangsvermogen
2.400-2.483,5 MHz	< 10,0 dBm

## RMF-TX600E/TX500E

Bluetooth	
Frequentiebereik	Uitgangsvermogen
2.400-2.483,5 MHz	< 10,0 dBm

## Softwareversie

Deze radioapparatuur is bedoeld voor gebruik met de goedgekeurde versie(s) van de software die in de EU-conformiteitsverklaring zijn aangegeven. Druk op **HELP** op de afstandsbediening als u de softwareversie wilt weergeven.

Afstandsbediening: **...**

Selecteer [Afstandsbediening] → [Softwareversie] in de

[Instellingen]. Zie de Helpgids voor meer informatie.

Er is gecontroleerd dat de software die in deze radioapparatuur is geladen, voldoet aan de essentiële eisen van Richtlijn 2014/53/EU.

## Ingangs-/uitgangsaansluitingen

### Antenne/kabel

75 ohm externe aansluiting voor VHF/UHF

### Satellietantenne<sup>\*1</sup>

Vrouwelijke F-aansluiting, 75 ohm.

DiSEqC 1.0, LNB 13 V/18 V & 22 kHz-toon, enkele kabeldistributie volgens EN50494.

### COMPONENT IN

YPbPr (Componentvideo): 1080p (50, 60 Hz), 1080i (50, 60 Hz), 720p (50, 60 Hz), 576p, 576i, 480p, 480i

Audio-ingang (RCA-aansluitingen)

### AV IN

Video-ingang (gewone RCA-pin met Y-ingang)

HDMI IN 1/2/3/4 (ondersteunt 4K-resolutie, Voldoet aan HDCP 2.3)

### Video:

4096 × 2160p (50, 60 Hz)<sup>\*2,3</sup>, 4096 × 2160p (24 Hz)<sup>\*2</sup>, 3840 × 2160p (50, 60 Hz)<sup>\*3</sup>, 3840 × 2160p (24, 25, 30 Hz), 1080p (30, 50, 60 Hz), 1080/24p, 1080i (50, 60 Hz), 720p (30, 50, 60 Hz), 720/24p, 576p, 480p, Pc-formaten<sup>\*4</sup>

### Audio:

In stand eARC (Enhanced Audio Return Channel)<sup>\*5</sup>

Voor meer informatie zie de helpgids.

Behalve eARC-modus

5,1-kanaals lineaire PCM: 32/44,1/48/88,2/96/176,4/

192 kHz 16/20/24 bits, Dolby Digital, Dolby Digital Plus, DTS

eARC/ARC (Enhanced Audio Return Channel/Audio Return Channel) (Alleen HDMI IN 3)

In stand eARC<sup>\*5</sup>

Voor meer informatie zie de helpgids.

In stand ARC

Tweekanaals lineaire PCM: 48 kHz 16 bits, Dolby Digital, Dolby Digital Plus, DTS

### DIGITAL AUDIO OUT (OPTICAL)

Digitale optische aansluiting (tweekanaals lineaire PCM: 48 kHz 16 bits, Dolby Digital, DTS)

## (stereominaansluiting)

Hoofdtelefoon

1, 2, **SS** 3 (HDD REC)<sup>\*6</sup>

Poort voor USB-apparaat (SS) 3 USB HDD-apparaat voor REC-functie)

USB-poort 1 en 2 bieden ondersteuning voor High Speed USB (USB 2.0)

USB-poort 3 biedt ondersteuning voor Super Speed USB (USB 3.1 Gen 1)



CAM-sleuf (Conditional Access Module)

LAN

IOBASE-T/100BASE-TX-stekker (Afhankelijk van de besturingsomgeving van het netwerk kan de verbindingssnelheid variëren. De communicatiesnelheid en kwaliteit zijn niet gegarandeerd.)

## Andere

Optionele accessoires

Wandmontagesteun: SU-WL450

Bedrijfstemperatuur

0 °C – 40 °C

Bedrijfsvochtigheid

10 % – 80 % relatieve luchtvochtigheid (zonder condensatie)

## Voeding, productfiche en overige

Stroomvereisten

220 V – 240 V AC, 50 Hz

Energie-efficiëntieklasse

KD-85XG85xx: A

KD-75XG87xx / KD-75XG85xx: A+

KD-65XG87xx / KD-65XG85xx: A

KD-55XG87xx / KD-55XG85xx: A

Schermgrootte (diagonaal gemeten) (Ong.)

KD-85XG85xx: 214,8 cm / 85 inch

KD-75XG87xx / KD-75XG85xx: 189,3 cm / 75 inch

KD-65XG87xx / KD-65XG85xx: 163,9 cm / 65 inch

KD-55XG87xx / KD-55XG85xx: 138,8 cm / 55 inch

Stroomverbruik

In stand [Standaard]

KD-85XG85xx: 216 W

KD-75XG87xx / KD-75XG85xx: 158 W

KD-65XG87xx / KD-65XG85xx: 127 W

KD-55XG87xx / KD-55XG85xx: 111 W

In stand [Levendig]

KD-85XG8596: 362 W

KD-75XG8796: 275 W

KD-75XG8599: 275 W

KD-75XG8596: 275 W

KD-75XG8588: 275 W

KD-75XG8505: 275 W

KD-65XG8796: 221 W

KD-65XG8599: 221 W

KD-65XG8596: 221 W

KD-65XG8588: 221 W

KD-65XG8577: 221 W

KD-65XG8505: 221 W

KD-55XG8796: 186 W

KD-55XG8599: 186 W

KD-55XG8596: 186 W

KD-55XG8588: 186 W

KD-55XG8577: 186 W

KD-55XG8505: 186 W

Jaarlijks energieverbruik<sup>\*7</sup>

KD-85XG85xx: 300 kWh per jaar

KD-75XG87xx / KD-75XG85xx: 219 kWh per jaar

KD-65XG87xx / KD-65XG85xx: 176 kWh per jaar

KD-55XG87xx / KD-55XG85xx: 154 kWh per jaar

Stand-by vermogensgebruik<sup>\*8,9</sup>

0,50 W (25 W in de stand voor bijwerken van de software/EPG)

Beeldschermresolutie

3.840 punten (horizontaal) × 2.160 lijnen (verticaal)

Uitvoer vermogen

USB 1/2

5 V ---, 500 mA MAX

USB 3

5 V ---, 900 mA MAX

## Afmetingen (Ong.) (b × h × d)

met tafelstandaard

KD-85XG85xx: 190,9 × 117,5 × 43,3 cm  
KD-75XG87xx / KD-75XG85xx: 167,3 × 103,1 × 35,8 cm  
KD-65XG87xx / KD-65XG85xx: 145,0 × 89,9 × 31,6 cm  
KD-55XG87xx / KD-55XG85xx: 123,1 × 77,6 × 31,6 cm

zonder tafelstandaard

KD-85XG85xx: 190,9 × 109,7 × 8,0 cm  
KD-75XG87xx / KD-75XG85xx: 167,3 × 96,3 × 5,4 cm  
KD-65XG87xx / KD-65XG85xx: 145,0 × 83,6 × 5,2 cm  
KD-55XG87xx / KD-55XG85xx: 123,1 × 71,3 × 5,2 cm

## Gewicht (Ong.)

met tafelstandaard

KD-85XG85xx: 49 kg  
KD-75XG87xx / KD-75XG85xx: 39,3 kg  
KD-65XG87xx / KD-65XG85xx: 26,3 kg  
KD-55XG87xx / KD-55XG85xx: 19,7 kg

zonder tafelstandaard

KD-85XG85xx: 46,5 kg  
KD-75XG87xx / KD-75XG85xx: 37,8 kg  
KD-65XG87xx / KD-65XG85xx: 25,3 kg  
KD-55XG87xx / KD-55XG85xx: 18,7 kg

- \*1 Niet alle tv-toestellen zijn uitgerust met DVB-T2- of DVB-S/ S2-technologie of hebben een satellietantenneaansluiting.
- \*2 Als 4096 × 2160p de invoer is en [Wide-modus] is ingesteld op [Normaal], dan wordt de resolutie weergegeven als 3840 × 2160p. Om 4096 × 2160p weer te geven, stel [Wide-modus] in op [Volb. 1] of [Volb. 2].
- \*3 Voor ondersteuning van 18 Gbps stel [Indeling HDMI-sigitaal] in op [Verbeterde indeling].
- \*4 Voor meer informatie zie de helpgids.
- \*5 eARC-modus is actief wanneer [eARC-modus] op [Auto] en [Speakers] op [Audiosysteem] staat en eARC-compatibel audiosysteem is aangesloten.
- \*6 Beperkt tot bepaalde regio's/landen/tv-modellen.
- \*7 Energieverbruik per jaar in kWh, gebaseerd op het stroomverbruik van een televisie die 365 dagen werkt gedurende 4 uur per dag. Het eigenlijke energieverbruik zal afhangen van de manier waarop de televisie wordt gebruikt.
- \*8 Het gespecificeerde stand-by vermogen wordt bereikt als de televisie de benodigde interne processen heeft voltooid.
- \*9 Het stand-bystroomverbruik neemt toe wanneer uw televisie aangesloten is op het netwerk.

## Opmerkingen

- Verwijder de namaakkaart of afdekking (afhankelijk van het tv-model) van de CAM-sleuf (Conditional Access Module) van de tv alleen als u een smartcard in de CAM wilt plaatsen.
- De beschikbaarheid van optionele accessoires is afhankelijk van uw land/regio/tv-model/voorraad.
- Ontwerp en specificaties kunnen zonder voorafgaande kennisgeving worden gewijzigd.

## Opmerkingen over de digitale televisiefunctie

- Digitale televisie (DVB, ether, satelliet en kabel), interactieve diensten en netwerkfuncties zijn wellicht niet in alle landen of gebieden beschikbaar. Sommige functies kunnen niet zijn ingeschakeld of werken wellicht niet goed bij bepaalde aanbieders en netwerkomgevingen. Bepaalde aanbieders van televisiediensten kunnen voor hun service kosten in rekening brengen.
- Deze televisie ondersteunt digitale uitzendingen met gebruik van MPEG-2, H.264/MPEG-4 AVC en H.265/HEVC codecs, maar ondersteuning van alle bedienings-/onderhoudssignalen die in de loop der tijd kunnen wijzigen, kan niet worden gegarandeerd.

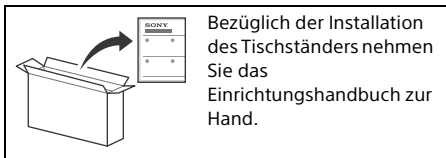
## Informatie over handelsmerken

- De begrippen HDMI, HDMI High-Definition Multimedia Interface en het HDMI-logo zijn handelsmerken of geregistreerde handelsmerken van HDMI Licensing Administrator, Inc. in de Verenigde Staten en andere landen.
- Dolby, Dolby Vision, Dolby Audio, en het dubbele-D-symbool zijn handelsmerken van Dolby Laboratories. Geproduceerd onder licentie van Dolby Laboratories. Vertrouwelijke ongepubliceerde werken. Copyright © 1992-2015 Dolby Laboratories. Alle rechten voorbehouden.

- "BRAVIA", BRAVIA en BRAVIA Sync zijn handelsmerken of geregistreerde merken van Sony Corporation.
- Gracenote, het Gracenote-logo en -logotype, en het logo "Powered by Gracenote" zijn geregistreerde handelsmerken of handelsmerken van Gracenote, Inc. in de Verenigde Staten en/of in andere landen.
- Vewd® Core. Copyright 1995-2019 Vewd Software AS. All rights reserved.
- Google, Google Play, Chromecast, YouTube, Android TV en andere hieraan gerelateerde merken en logo's zijn handelsmerken van Google LLC.
- Wi-Fi®, Wi-Fi Alliance® en Wi-Fi Direct® zijn gedeponeerde handelsmerken van Wi-Fi Alliance.
- Het Wi-Fi CERTIFIED™-logo is een keurmerk van Wi-Fi Alliance.
- Raadpleeg <http://patents.dts.com> voor meer informatie over DTS-patenten. Geproduceerd onder licentie van DTS, Inc., DTS, het overeenkomstige symbool en DTS gecombineerd met het overeenkomstige symbool zijn gedeponeerde handelsmerken, en DTS Digital Surround is een handelsmerk van DTS, Inc. © DTS, Inc. Alle rechten voorbehouden.
- Het Bluetooth® woordmerk en logo's zijn gedeponeerde handelsmerken van Bluetooth SIG, Inc. en het gebruik van deze merken door Sony Corporation gebeurt onder licentie. Andere handelsmerken en handelsnamen zijn het eigendom van hun respectieve eigenaars.
- Netflix is een gedeponeerd handelsmerk van Netflix, Inc.
- DiSEqC™ is een handelsmerk van EUTELSAT. Deze tv biedt ondersteuning voor DiSEqC 1.0. Deze tv is niet geschikt voor het aansturen van gemotoriseerde antennes.
- TUXERA is een gedeponeerd handelsmerk van Tuxera Inc. in de VS en andere landen.
- Het USB-IF SuperSpeed USB-drielandlogo is een gedeponeerd handelsmerk van USB Implementers Forum, Inc. 
- Alle andere handelsmerken zijn eigendom van de betreffende eigenaren.







Bezüglich der Installation  
des Tischständers nehmen  
Sie das  
Einrichtungshandbuch zur  
Hand.

## Inhaltsverzeichnis

WICHTIGER HINWEIS .....	2
Sicherheitsinformationen .....	3
Fernbedienung und Fernseher .....	5
Anschlussschema .....	6
Montieren des Fernsehgeräts an der Wand .....	8
Verwenden der optionalen Wandhalterung .....	8
Lösen Sie den Tischständer vom Fernsehgerät .....	9
Störungsbehebung .....	10
Probleme und Lösungen .....	10
Technische Daten .....	10

### Internetverbindung und Datenschutz

Dieses Produkt verbindet sich bei Ersteinrichtung mit dem Internet, sobald eine Netzwerkverbindung besteht, um die Internetverbindung zu prüfen und später den Startbildschirm zu konfigurieren. Ihre IP-Adresse wird bei dieser und allen anderen Internetverbindungen verwendet. Wenn Sie überhaupt nicht möchten, dass Ihre IP-Adresse verwendet wird, richten Sie die WLAN-Internetfunktion nicht ein und schließen kein Internet-Kabel an. Weitere Informationen zu Internetverbindungen entnehmen Sie bitte den in den Einrichtungsbildschirmen angezeigten Informationen zum Datenschutz.

## Einleitung

Vielen Dank, dass Sie sich für ein Produkt von Sony entschieden haben.  
Bitte lesen Sie dieses Handbuch aufmerksam durch, bevor Sie das Fernsehgerät verwenden, und bewahren Sie es auf, um später bei Bedarf darin nachschlagen zu können.

### Hinweis

- Lesen Sie sich vor der Bedienung des Fernsehgeräts die „Sicherheitsinformationen“ durch (Seite 3).
- Für weitere Sicherheitsinformationen lesen Sie die mitgelieferten Sicherheitsinformationen.
- Darstellungen und Abbildungen, die im Einrichtungshandbuch und in dieser Anleitung verwendet werden, dienen nur der Referenz und können vom tatsächlichen Produkt abweichen.
- Das „xx“ das in der Modellbezeichnung angegeben wird, entspricht einer Ziffer, die sich auf das Design, die Farbe oder das System des Fernsehgeräts bezieht.

### Hilfe

Weitere Informationen zur Störungsbehebung und andere nützliche Informationen finden Sie direkt auf Ihrem Fernsehgerät. Drücken Sie **HELP** auf der Fernbedienung, um eine Liste mit Themen anzuzeigen oder nach Stichworten zu suchen.

### Hilfe (Anleitung)

Um detailliertere Informationen zu erhalten, wählen Sie [Hilfe] aus dem Hilfemenü Ihres Fernsehgeräts. Sie können die Hilfe auch von Ihrem PC oder Smartphone aus aufrufen (Informationen finden Sie auf der hinteren Umschlagseite dieser Anleitung).

## Position des Bezeichnungsschildes

Aufkleber mit Modellnummer, Herstellungsdatum (Jahr/Monat) und Bemessungsdaten für die Betriebsspannung befinden sich auf der Rückseite des Fernsehgeräts oder auf der Verpackung.

## WICHTIGER HINWEIS

### Hinweis für Funkgeräte



Hiermit erklärt Sony Visual Products Inc., dass die Funkanlagentypen  
 KD-85XG8596, KD-75XG8796,  
 KD-75XG8599, KD-75XG8596, KD-75XG8588, KD-75XG8505,  
 KD-65XG8796, KD-65XG8599, KD-65XG8596, KD-65XG8588,  
 KD-65XG8577, KD-65XG8505, KD-55XG8796, KD-55XG8599,  
 KD-55XG8596, KD-55XG8588, KD-55XG8577, KD-55XG8505 der  
 Richtlinie 2014/53/EU entsprechen. Der vollständige Text der  
 EU-Konformitätserklärung ist unter der folgenden Internetadresse  
 verfügbar: <http://www.compliance.sony.de/>

Hinweis für Kunden: Die folgenden Informationen gelten nur für Geräte, die in Ländern verkauft werden, in denen EU-Richtlinien gelten.

Für dieses Funkgerät gelten die folgenden Einschränkungen für die Inbetriebnahme oder Anforderungen an die Betriebszulassung in AT, BE, HR, CY, CZ, DK, EE, FI, FR, DE, EL, HU, IE, IT, LV, LT, LU, MT, NL, PL, PT, SK, SI, ES, SE, UK, IS, LI, NO, CH, BG, RO, TR, AL, BA, MK, MD, RS, ME, Kosovo :  
 Das Frequenzband 5.150 - 5.350 MHz ist auf den Einsatz drinnen beschränkt.

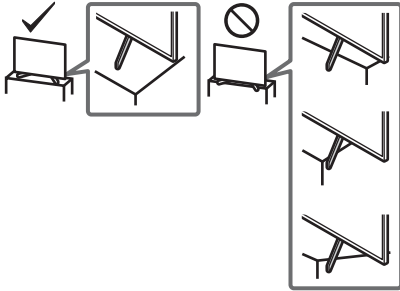
## Sicherheitsinformationen

### Installation/Einstellung

Installieren und benutzen Sie das Fernsehgerät unter Berücksichtigung der im Folgenden angegebenen Anweisungen, um alle Risiken wie Feuer, Stromschlag oder Beschädigungen und/oder Verletzungen zu vermeiden.

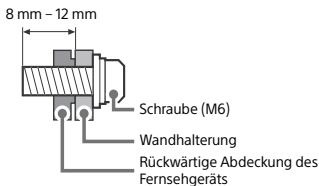
#### Installation

- Das Fernsehgerät sollte neben einer frei zugänglichen Netzsteckdose installiert werden.
- Stellen Sie das Fernsehgerät auf eine stabile, ebene Oberfläche, um zu verhindern, dass es herunterfällt und Personenschäden oder Sachschäden verursacht.
- Stellen Sie das Fernsehgerät an einem Ort auf, an dem es nicht gezogen, verschoben oder umgestoßen werden kann.
- Stellen Sie das Fernsehgerät so auf, dass der Tischständer des Fernsehgeräts nicht über den Fernsehständer (nicht mitgeliefert) hinausragt. Wenn der Tischständer über den Fernsehständer hinausragt, kann das Fernsehgerät umkippen und herunterfallen, was zu Verletzungen bzw. Schäden am Fernsehgerät führen kann.

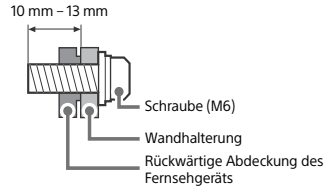


- Wandeinbauten sollten nur von qualifiziertem Fachpersonal ausgeführt werden.
- Aus Sicherheitsgründen wird dringend empfohlen, ausschließlich Sony Zubehörteile zu verwenden, inklusive:
  - Wandhalterung SU-WL450
- Verwenden Sie unbedingt die Schrauben im Lieferumfang der Wandhalterung, wenn Sie die Wandhalterung am Fernsehgerät befestigen. Die mitgelieferten Schrauben sind, gemessen von der Befestigungsfläche der Wandhalterung, wie in der Abbildung dargestellt konzipiert. Durch die Verwendung anderer als der mitgelieferten Schrauben kann das Fernsehgerät beschädigt werden oder herunterfallen.

#### KD-85XG85xx



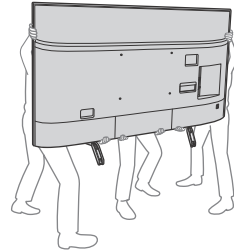
#### KD-75/65/55XG87xx, KD-75/65/55XG85xx



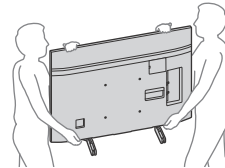
#### Transport

- Vor dem Transport des Fernsehgeräts ziehen Sie bitte alle Kabel aus dem Gerät.
- Zum Transport eines großen Fernsehgeräts sind zwei oder mehr Personen (drei oder mehr Personen für KD-85XG85xx) nötig.
- Wenn Sie das Fernsehgerät ohne Hilfsmittel transportieren, halten Sie es wie unten dargestellt. Üben Sie weder auf den LCD-Bildschirm noch auf den Bildschirmrahmen Druck aus.
- Halten Sie das Fernsehgerät sicher an der Unterseite fest, wenn Sie es anheben oder transportieren.

#### KD-85XG85xx



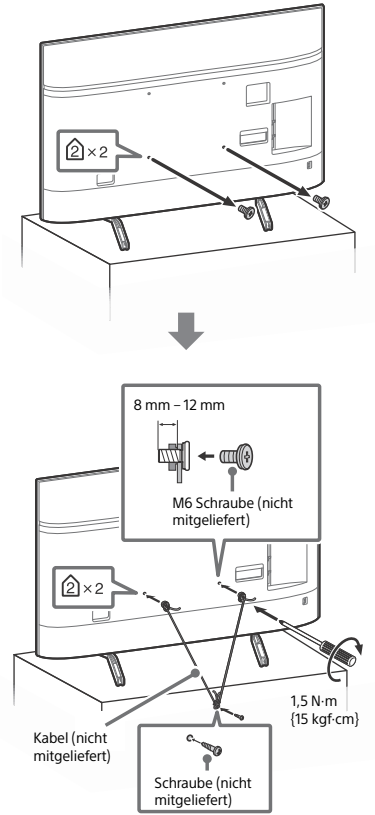
#### KD-75/65/55XG87xx, KD-75/65/55XG85xx



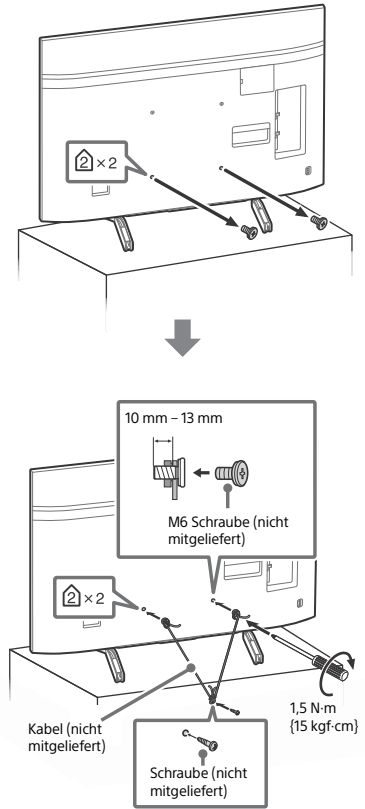
- Setzen Sie das Fernsehgerät beim Transport weder Stößen noch starken Erschütterungen aus.
- Wenn Sie das Fernsehgerät für Reparaturen oder bei einem Umzug transportieren müssen, verpacken Sie es mithilfe der Originalverpackungsmaterialien im Originalkarton.

# Verhinderung des Umkippens

KD-85XG85xx

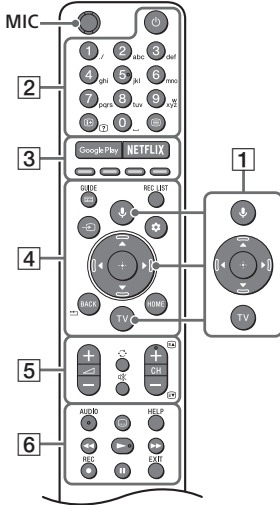


KD-75/65/55XG87xx, KD-75/65/55XG85xx



# Fernbedienung und Fernseher

Die Form der Fernbedienung sowie die Position, Verfügbarkeit und Funktion der Fernbedienungstasten kann abhängig von der Region/vom Land/vom Fernsehgerät-Modell variieren.



**1** **(Mikrofon):** Verwenden der Sprachsuche. (Zum Beispiel: Suche verschiedener Inhalte über die Stimme.)<sup>\*1</sup>

**▲/▼/◀/▶/+** **(Steuerkreuz zur Navigation):** Navigation und Auswahl auf dem Bildschirmmenü.

**TV:** Schalten Sie zu einem Fernsehkanal oder einem anderen Eingang um und zeigen Sie das TV-Menü an.

**2** **(TV-Bereitschaft) Zifferntasten**

**ℹ/? (Info/Text aufdecken):** Zeigt Informationen an.

**☰ (Text):** Diese Taste zeigt Textinformationen an.

**3** **Google Play**  
**NETFLIX (Nur in bestimmten Regionen/ Ländern bzw. für bestimmte Fernsehmodelle)**  
**Farbtasten**

**4** **GUIDE/☰:** Zeigen Sie die digitale Programmübersicht oder den EPG der Kabelbox/des Satellitenempfängers<sup>\*2</sup> an.

**REC LIST:** Aufnahmeliste von USB HDD oder DVR<sup>\*2</sup> anzeigen lassen.

**→ (Eingangswahl):** Eingangsquelle usw. anzeigen lassen und auswählen.

**⚙ (Schnelleinstellungen):** Schnelleinstellungen anzeigen lassen.

**BACK/◀**

**HOME**

**5** **↗ +/- (Lautstärke)**

**⏮ (Springen)**

**⊗ (Stummschalten)**

**Tipp**

- Die Tastenkombinationen für Eingabehilfen kann durch Drücken und Halten von **⊗** ein- und ausgeschaltet werden.

**CH +/-/⏪/⏩**

Im TV-Modus: Wählen Sie den Kanal.

Im Text-Modus: Wählen Sie die nächste (**⏪**) oder vorherige (**⏩**) Seite.

**6** **AUDIO:** Auswahl von mehrsprachigem Ton oder Zweikanalton (abhängig von der Programmquelle).

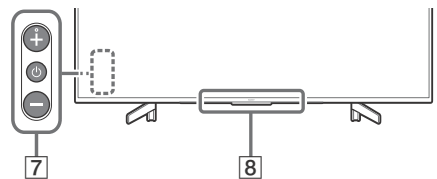
**⋮ (Untertitelleinstellung)**

**HELP:** Zeigen Sie das Hilfe-Menü an.

**◀◀/▶▶/||**

**● REC:** Aufnahme des Programms, das derzeit wiedergegeben wird, auf USB HDD oder DVR<sup>\*2</sup>.

**EXIT**



**7** **⏻ (Ein/Aus)**

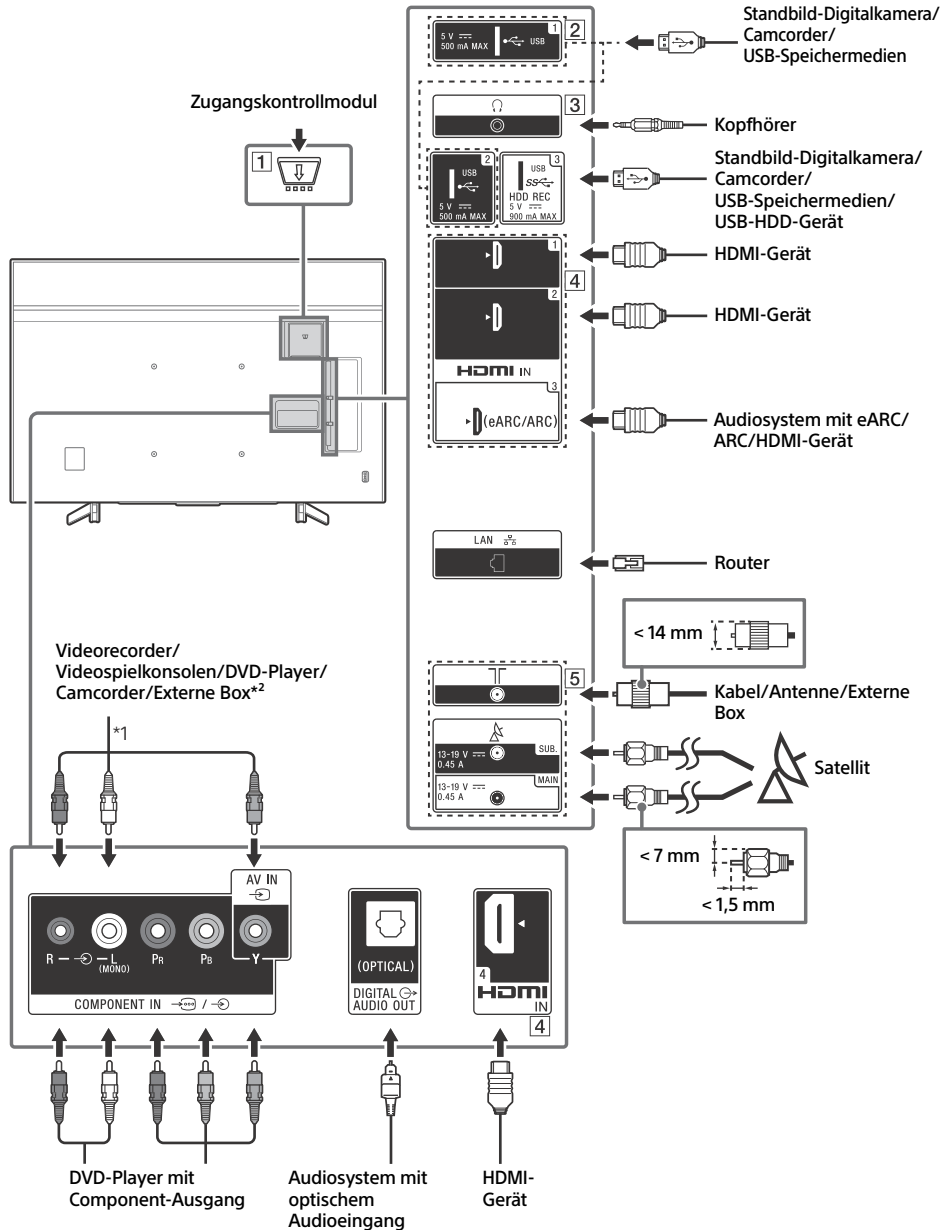
**8** **Sensor der Fernbedienung / Lichtsensor / Beleuchtungs-LED**

<sup>\*1</sup> Die Sprachsuche erfordert eine Internetverbindung.

<sup>\*2</sup> Die Einstellung [Kabel-/Satelliten-Box-Einrichtung] ist erforderlich (nur in bestimmten Regionen/ Ländern bzw. für bestimmte Fernsehmodelle). Weitere Informationen finden Sie in der Hilfe.

# Anschlussschema

Weitere Informationen zu den Anschlüssen finden Sie in der Hilfe, indem Sie auf der Fernbedienung die Taste **HELP** drücken.



## 1 CAM (Zugangskontrollmodul)

- Dieser Steckplatz bietet Zugang zu Pay-TV-Diensten. Erläuterungen dazu finden Sie in der Bedienungsanleitung im Lieferumfang des CAM.
- Stecken Sie die Smart-Card nicht direkt in den CAM-Steckplatz des Fernsehgeräts. Sie muss in das Conditional Access Module eingesetzt werden, das Sie von Ihrem autorisierten Händler erhalten haben.
- CAM wird in einigen Länder/Gegenden nicht unterstützt. Fragen Sie dazu einen autorisierten Händler.
- Möglicherweise wird eine CAM-Meldung angezeigt, wenn Sie nach der Wiedergabe von Internetvideos zu einem Digitalprogramm umschalten.

## 2 **USB 1/2**, **USB 3 (HDD REC)**\*3

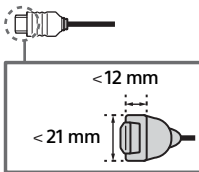
- Wenn Sie hier ein großes USB-Gerät anschließen, kann das die daneben angeschlossenen Geräte behindern.
- Wenn Sie ein großes USB-Gerät anschließen, schließen Sie es an die Buchse USB 1 an.
- Schließen Sie ein USB-HDD-Gerät an den USB 3-Anschluss (blau) an.

## 3 (Kopfhörer)

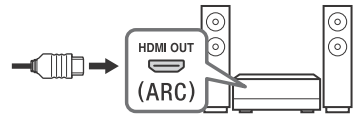
- Unterstützt nur 3-polige Stereo-Minibuchse.
- Sie können den Ton nicht gleichzeitig über die Kopfhörer und die Lautsprecher des Fernsehgeräts ausgeben.

## 4 **HDMI IN 1/2/3/4**

- Per HDMI-Schnittstelle können digitale Video- und Audiodaten mit einem einzigen Kabel übertragen werden.



- Um qualitativ hochwertige 4K-50p/60p-Inhalte zu genießen, schließen Sie ein Premium High-Speed-HDMI-Kabel an und setzen Sie [HDMI-SignalfORMAT] auf [Optimiertes Format]. Führen Sie diese Einstellung einzeln für jeden angeschlossenen HDMI IN-Anschluss durch. Einzelheiten zu den unterstützten Formaten finden Sie in dieser Anleitung unter „Technische Daten“ (Seite 10-12).
- **HDMI IN 3 eARC/ARC (Enhanced Audio Return Channel/Audio Return Channel)**  
Schließen Sie Ihr Audiosystem an HDMI IN 3 an, um den Fernsehton an Ihr Audiosystem weiterzuleiten. Ein Audiosystem, das HDMI eARC/ARC unterstützt, kann Videosignale an das Fernsehgerät senden und über dasselbe HDMI-Kabel Audiosignale vom Fernsehgerät empfangen. Wenn Ihr Audiosystem HDMI eARC/ARC nicht unterstützt, ist eine zusätzliche Verbindung mit DIGITAL AUDIO OUT (OPTICAL) erforderlich.
- Verwenden Sie das HDMI-Kabel mit Ethernet zur Verbindung des Audiosystems mit eARC.



## 5 (RF-Eingang), (Satelliteneingang)

- Anschlüsse für terrestrisch/Kabel und Satellit. Anschlusschritte: SUB. → MAIN → Antenne
- Was die SUB.-Buchse betrifft, stellen Sie diese Verbindung nur her, wenn Sie den Twin-Tuner-Modus verwenden (Ausnahme: Einkabelsystem EN50494).

\*1 Wenn Sie Mono-Geräte anschließen, schließen Sie sie an den Audioanschluss L (MONO) an.

\*2 Für ein externes Gerät, das nur einen Anschluss vom Typ SCART AV OUT hat, verwenden Sie einen SCART-RCA-Adapter.

\*3 Nur in bestimmten Regionen/Ländern bzw. für bestimmte Fernsehmodelle.

# Montieren des Fernsehgeräts an der Wand

## Verwenden der optionalen Wandhalterung

Die Anleitung dieses Fernsehgeräts enthält nur die Schritte, um das Fernsehgerät für die Wandmontage vorzubereiten, bevor es an der Wand angebracht wird.

### An die Kunden:

Aus Gründen des Produktschutzes und aus Sicherheitsgründen empfiehlt Sony dringend, die Montage des Fernsehgeräts von Sony-Händlern oder lizenzierten Fachleuten durchführen zu lassen. Versuchen Sie nicht, es selbst zu montieren.

### An Sony-Händler und -Fachleute:

Widmen Sie während der Montage, der regelmäßigen Wartung und der Überprüfung dieses Produkts Ihre volle Aufmerksamkeit der Sicherheit.

Für die Montage dieses Produkts ist ausreichendes Fachwissen erforderlich, insbesondere um die Stärke der Wand zu bestimmen, die dem Gewicht des Fernsehgeräts standhalten kann. Achten Sie darauf, dass Sie die Befestigung des Produkts an der Wand Sony-Händlern oder lizenzierten Fachleuten überlassen, und achten Sie während der Montage ausreichend auf die Sicherheit. Sony haftet nicht für Schäden oder Verletzungen durch eine fehlerhafte Handhabung oder unsachgemäße Montage.

Verwenden Sie die Wandhalterung SU-WL450 (nicht mitgeliefert), um das Fernsehgerät an der Wand zu montieren.

Wenn Sie die Wandhalterung montieren, beachten Sie auch die Bedienungsanleitung und die Installationsanleitung im Lieferumfang der Wandhalterung.

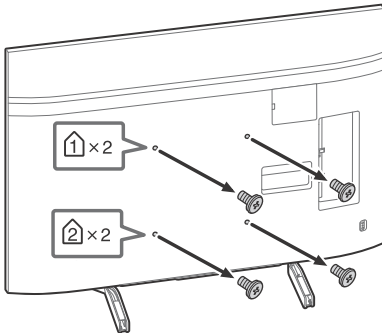
### Hinweis

- Achten Sie darauf, die entfernten Schrauben an einem sicheren Ort aufzubewahren und sie von Kindern fernzuhalten.



Anleitungen zur Montage der Wandhalterung finden Sie in den Installationshinweisen (Wandhalterung) auf der Produktseite Ihres Fernsehgerätmodells.  
[www.sony.eu/support/](http://www.sony.eu/support/)

Entfernen Sie die Schrauben von der Rückseite des Fernsehgeräts.

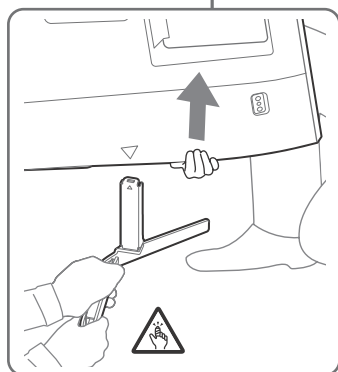
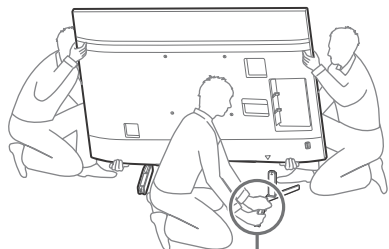




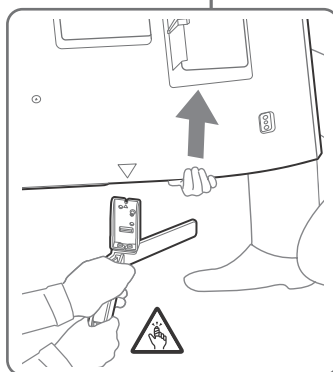
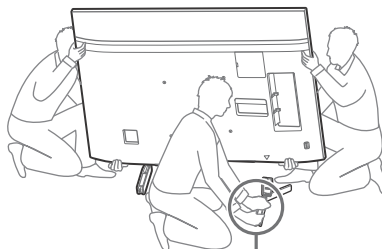
## Lösen Sie den Tischständer vom Fernsehgerät

- 1 Entfernen Sie immer nur eine Seite des Tischständers auf einmal. Halten Sie den Tischständer mit beiden Händen fest, während die anderen Personen das Fernsehgerät anheben.

KD-85XG85xx



KD-75/65/55XG87xx, KD-75/65/55XG85xx



- 2 Wiederholen Sie den vorherigen Schritt und entfernen Sie die andere Seite des Tischständers.

### Hinweis

- Zum Lösen des Tischständers sind drei oder mehr Personen erforderlich.
- Wenden Sie beim Lösen des Tischständers vom Fernsehgerät keine großen Kräfte an, anderenfalls kann das Fernsehgerät herunterfallen und Verletzungen oder Schäden am Fernsehgerät verursachen.
- Gehen Sie bei der Handhabung des Tischständers vorsichtig vor, um das Fernsehgerät nicht zu beschädigen.
- Seien Sie vorsichtig, wenn Sie das Fernsehgerät anheben, da der Tischständer beim Abnehmen umkippen und Verletzungen verursachen kann.
- Achten Sie immer darauf, wenn Sie den Tischständer vom Fernsehgerät abnehmen, damit er nicht umkippt und die Oberfläche, auf der der Fernseher steht, beschädigt wird.

## Störungsbehebung

Zur allgemeinen Störungsbehebung bei Fehlern wie Schwarzbild, kein Ton, eingefrorenes Bild, Fernseher reagiert nicht oder Netzwerk verloren führen Sie die folgenden Schritte aus.

- 1 Starten Sie Ihr Fernsehgerät neu, indem Sie die Netztaste auf der Fernbedienung drücken, bis eine Meldung angezeigt wird. Das Fernsehgerät wird neu gestartet. Wenn das Fernsehgerät nicht wiederhergestellt wird, ziehen Sie das Netzkabel. Drücken Sie dann auf die Ein-/Ausschalttaste am Fernsehgerät, warten Sie zwei Minuten und stecken Sie dann das Netzkabel ein.
- 2 Schlagen Sie im Hilfe-Menü nach, indem Sie auf der Fernbedienung die Taste **HELP** drücken.
- 3 Verbinden Sie Ihr Fernsehgerät mit dem Internet, und führen Sie ein Softwareupdate durch. Sony empfiehlt, die Software des Fernsehgeräts zu aktualisieren. Softwareupdates verbessern die Leistung oder fügen neue Funktionen hinzu.
- 4 Besuchen Sie die Sony-Supportwebsite (Informationen finden Sie auf der vorderen Umschlagseite dieser Anleitung).

**Wenn Sie das Fernsehgerät anschließen, lässt es sich unter Umständen nicht sofort wieder durch Drücken der Ein-/Ausschalttaste auf der Fernbedienung oder am Fernsehgerät einschalten.**

Es dauert eine Weile, das System zu initialisieren. Warten Sie ungefähr eine Minute und versuchen Sie es dann erneut.

## Probleme und Lösungen

**Wenn die Beleuchtungs-LED rot blinkt.**

- Zählen Sie, wie oft sie blinkt (die Intervallzeit beträgt drei Sekunden).  
Starten Sie das Fernsehgerät, indem Sie das Netzkabel abziehen und warten, bis die Beleuchtungs-LED nicht mehr rot blinkt, und schalten Sie dann das Fernsehgerät ein.  
Wenn das Problem weiterhin besteht, trennen Sie das Netzkabel. Wenden Sie sich dann an Ihren Händler oder den Sony-Kundendienst und geben Sie an, wie häufig die Beleuchtungs-LED blinkt.

**Es kann kein terrestrisches bzw. Kabelsignal empfangen werden.**

- Prüfen Sie die Antennen- oder Kabelverbindung bzw. die Verstärkereinstellungen.
- Wählen Sie den terrestrischen bzw. Kabelempfang durch Drücken von **TV** auf der Fernbedienung und wählen Sie dann [Digital], wenn der Rundfunkdienst nicht angezeigt wird.
- Das terrestrische Signal ist evtl. unterdrückt, wenn in der Nähe ein starkes Signal anliegt. Setzen Sie [LNA (Ka ---)] in den Einstellungen des digitalen Suchlaufs auf [Aus].
- Führen Sie nach dem Umzug in eine neue Wohnung oder für den Empfang neuer Dienste einen Dienstesuchlauf aus, indem Sie [Digitaler Suchlauf] wählen.

**Es kann kein Satellitensignal empfangen werden.**

- Prüfen Sie die Satellitenkabelverbindung.
- Wenn die Meldung [Kein Signal. LNB Überlastung festgestellt...] angezeigt wird, trennen Sie das Netzkabel. Vergewissern Sie sich anschließend, dass das Satellitenkabel nicht beschädigt und die Satellitensignalleitung am Sat-Anschluss nicht kurzgeschlossen ist.

**Die Fernbedienung funktioniert nicht.**

- Tauschen Sie die Batterien aus.

**Das Passwort für die Kindersicherung wurde vergessen.**

- Geben Sie 9999 als PIN-Code ein, und wählen Sie [PIN-Code ändern].

**Das Gehäuse des Fernsehgeräts erwärmt sich.**

- Wenn das Fernsehgerät lange Zeit verwendet wird, erwärmt sich das Gehäuse des Fernsehgeräts. Es fühlt sich möglicherweise heiß an, wenn Sie es mit der Hand berühren.

## Technische Daten

### System

Bildschirmsystem  
LCD-Bildschirm (Flüssigkristallbildschirm),  
LED-Hintergrundbeleuchtung  
Fernsehnorm  
Abhängig von Landes-/Bereichsauswahl/Fernsehgerätemodell  
Analog: B/G, D/K, I  
Digital: DVB-T/DVB-C  
DVB-T2\*1  
Satellit\*1: DVB-S/DVB-S2  
Farbsystem  
PAL/SECAM/NTSC3.58 (nur Video)/NTSC4.43 (nur Video)

## Kanalbereich

Abhängig von Landes-/Bereichsauswahl/Fernsehgerätemodell  
Analog: UHF/VHF/Kabel  
Digital: UHF/VHF/Kabel  
Satellit\*1: IF Frequenz 950-2.150 MHz

## Tonausgänge

10 W + 10 W

## Wireless-Technologie

Protokoll IEEE802.11ac/a/b/g/n  
(Abhängig vom Land/der Region ist IEEE802.11ac  
möglicherweise nicht verfügbar.)

Bluetooth Version 4.2

## Frequenzbänder

WLAN (IEEE802.11ac/a/b/g/n)	
Frequenzbereich	Ausgangsleistung
2.400-2.483,5 MHz	< 20,0 dBm
5.150-5.250 MHz	< 23,0 dBm
5.250-5.350 MHz	< 20,0 dBm
5.470-5.725 MHz	< 20,0 dBm
5.725-5.850 MHz	< 13,9 dBm

Bluetooth	
Frequenzbereich	Ausgangsleistung
2.400-2.483,5 MHz	< 10,0 dBm

## RFM-TX600E/TX500E

Bluetooth	
Frequenzbereich	Ausgangsleistung
2.400-2.483,5 MHz	< 10,0 dBm

## Software-Version

Dieses Funkgerät ist für die Verwendung mit der/den  
genehmigten Version(en) der Software bestimmt, die in der  
EU-Konformitätserklärung angegeben sind.  
Drücken Sie **HELP** auf der Fernbedienung, um die  
Softwareversion anzuzeigen.  
Fernbedienung:   
Wählen Sie [Fernbedienung] → [Software-Version] aus  
[Einstellungen]. Weitere Informationen finden Sie in der Hilfe.  
Die auf dieses Rundfunkgerät geladene Software wurde  
geprüft und erfüllt die grundlegenden Anforderungen der  
Richtlinie 2014/53/EU.

## Einigungs-/Ausgangsbuchsen

### Antenne/Kabel

75 Ohm, externer Anschluss für VHF/UHF

### Satellitenantenne\*1

Buchsenverbindung vom Typ F, 75 Ohm.  
DISEq 1.0, LNB 13 V/18 V & 22 kHz Ton, Einkabelsystem  
EN50494.

### COMPONENT IN

YP&P<sub>R</sub> (Komponenten-Video): 1080p (50, 60 Hz), 1080i (50,  
60 Hz), 720p (50, 60 Hz), 576p, 576i, 480p, 480i

Audioeingang (Cinchbuchse)

### AV IN

Videoeingang (gängiger Cinchstecker mit Y-Eingang)

## HDMI IN 1/2/3/4 (unterstützen 4K-Auflösung, HDCP 2.3-kompatibel)

### Video:

4096 × 2160p (50, 60 Hz)<sup>2+3</sup>, 4096 × 2160p (24 Hz)<sup>2</sup>, 3840 ×  
2160p (50, 60 Hz)<sup>3</sup>, 3840 × 2160p (24, 25, 30 Hz), 1080p (30,  
50, 60 Hz), 1080/24p, 1080i (50, 60 Hz), 720p (30, 50, 60 Hz),  
720/24p, 576p, 480p, Computerformate<sup>4</sup>

### Audio:

Im eARC (Enhanced Audio Return Channel)-Modus<sup>5</sup>

Weitere Einzelheiten finden Sie in der Hilfe.

Außer eARC-Modus

5,1-Kanal linear PCM: 32/44,1/48/88,2/96/176,4/192 kHz

16/20/24 Bit, Dolby Digital, Dolby Digital Plus, DTS

## eARC/ARC (Enhanced Audio Return Channel/Audio Return Channel) (nur bei HDMI IN 3)

Im eARC-Modus<sup>5</sup>

Weitere Einzelheiten finden Sie in der Hilfe.

Im ARC-Modus

Zwei Kanäle, lineares PCM: 48 kHz 16 Bit, Dolby Digital, Dolby  
Digital Plus, DTS

## → DIGITAL AUDIO OUT (OPTICAL)

Optische Digitalbuchse (zwei Kanäle, lineares PCM: 48 kHz  
16 Bit, Dolby Digital, DTS)

## ⌋ (Stereo-Minibuchse)

Kopfhörer

## ← 1, ← 2, ← 3 (HDD REC)<sup>6</sup>

USB-Geräteanschluss (SS ← 3 USB-HDD-Gerät für  
REC-Funktion)

USB-Anschluss 1 und 2 unterstützen High-Speed-USB (USB 2.0)

Der USB-Anschluss 3 unterstützt SuperSpeed-USB (USB 3.1

Gen 1)

## LAN

Einschub CAM (Zugangskontrollmodul)

## LAN

10BASE-T/100BASE-TX-Anschluss (Je nach Betriebsumgebung  
des Netzwerks kann die Verbindungsgeschwindigkeit variieren.  
Kommunikationsrate und Kommunikationsqualität können  
nicht garantiert werden.)

## Sonstiges

### Sonderzubehör

Wandhalterung: SU-WL450

### Betriebstemperatur

0 °C – 40 °C

### Betriebsluftfeuchtigkeit

10 % – 80 % relative Luftfeuchtigkeit (nicht kondensierend)

## Stromversorgung, Produktdatenblatt und anderes

### Stromversorgung

220 V bis 240 V Wechselspannung, 50 Hz

### Energieeffizienzklasse

KD-85XG85xx: A

KD-75XG87xx / KD-75XG85xx: A+

KD-65XG87xx / KD-65XG85xx: A

KD-55XG87xx / KD-55XG85xx: A

### Bildschirmgröße (Diagonale) (Ca.)

KD-85XG85xx: 214,8 cm / 85 Zoll

KD-75XG87xx / KD-75XG85xx: 189,3 cm / 75 Zoll

KD-65XG87xx / KD-65XG85xx: 163,9 cm / 65 Zoll

KD-55XG87xx / KD-55XG85xx: 138,8 cm / 55 Zoll

### Leistungsaufnahme

Im [Standard]-Modus

KD-85XG85xx: 216 W

KD-75XG87xx / KD-75XG85xx: 158 W

KD-65XG87xx / KD-65XG85xx: 127 W

KD-55XG87xx / KD-55XG85xx: 111 W

## Im [Brillant]-Modus

KD-85XG8596: 362 W  
KD-75XG8796: 275 W  
KD-75XG8599: 275 W  
KD-75XG8596: 275 W  
KD-75XG8588: 275 W  
KD-75XG8505: 275 W  
KD-65XG8796: 221 W  
KD-65XG8599: 221 W  
KD-65XG8596: 221 W  
KD-65XG8588: 221 W  
KD-65XG8577: 221 W  
KD-65XG8505: 221 W  
KD-55XG8796: 186 W  
KD-55XG8599: 186 W  
KD-55XG8596: 186 W  
KD-55XG8588: 186 W  
KD-55XG8577: 186 W  
KD-55XG8505: 186 W

## Jährlicher Energieverbrauch\*<sup>7</sup>

KD-85XG85xx: 300 kWh pro Jahr  
KD-75XG87xx / KD-75XG85xx: 219 kWh pro Jahr  
KD-65XG87xx / KD-65XG85xx: 176 kWh pro Jahr  
KD-55XG87xx / KD-55XG85xx: 154 kWh pro Jahr

## Stromverbrauch im Standby-Betrieb\*<sup>8,9</sup>

0,50 W (25 W im Software-/EPG-Aktualisierungsmodus)

## Anzeigeauflösung

3.840 Punkte (horizontal) × 2.160 Zeilen (vertikal)

## Ausgangsleistung

USB 1/2

5 V ---, 500 mA MAX

USB 3

5 V ---, 900 mA MAX

## Abmessungen (Ca.) (B × H × T)

### mit Tischständer

KD-85XG85xx: 190,9 × 117,5 × 43,3 cm  
KD-75XG87xx / KD-75XG85xx: 167,3 × 103,1 × 35,8 cm  
KD-65XG87xx / KD-65XG85xx: 145,0 × 89,9 × 31,6 cm  
KD-55XG87xx / KD-55XG85xx: 123,1 × 77,6 × 31,6 cm

### ohne Tischständer

KD-85XG85xx: 190,9 × 109,7 × 8,0 cm  
KD-75XG87xx / KD-75XG85xx: 167,3 × 96,3 × 5,4 cm  
KD-65XG87xx / KD-65XG85xx: 145,0 × 83,6 × 5,2 cm  
KD-55XG87xx / KD-55XG85xx: 123,1 × 71,3 × 5,2 cm

## Gewicht (Ca.)

### mit Tischständer

KD-85XG85xx: 49 kg  
KD-75XG87xx / KD-75XG85xx: 39,3 kg  
KD-65XG87xx / KD-65XG85xx: 26,3 kg  
KD-55XG87xx / KD-55XG85xx: 19,7 kg

### ohne Tischständer

KD-85XG85xx: 46,5 kg  
KD-75XG87xx / KD-75XG85xx: 37,8 kg  
KD-65XG87xx / KD-65XG85xx: 25,3 kg  
KD-55XG87xx / KD-55XG85xx: 18,7 kg

\*1 Nicht alle Fernsehgeräte verfügen über DVB-T2- oder DVB-S/2-Technologie oder Satellitenantennenanschluss.

\*2 Wenn 4096 × 2160p eingegeben wird und [Wide-Modus] auf [Normal] eingestellt ist, wird die Auflösung als 3840 × 2160p angezeigt. Um 4096 × 2160p anzuzeigen, setzen Sie die Einstellung [Wide-Modus] auf [Voll 1] oder [Voll 2].

\*3 Um 18 Gbps zu unterstützen, setzen Sie [HDMI-Signalformat] auf [Optimiertes Format].

\*4 Weitere Einzelheiten finden Sie in der Hilfe.

\*5 Der eARC-Modus ist aktiv, wenn [eARC-Modus] auf [Autom.] gesetzt ist, [Lautsprecher] auf [Audiosystem] und wenn ein mit eARC kompatibles Audiosystem angeschlossen ist.

\*6 Nur in bestimmten Regionen/Ländern bzw. für bestimmte Fernsehmodelle.

\*7 Der Energieverbrauch in kWh pro Jahr wurde basierend auf der Leistungsaufnahme des Fernsehgeräts bei einer Betriebsdauer von 4 Stunden täglich an 365 Tagen berechnet. Der tatsächliche Energieverbrauch hängt von der Verwendung des Fernsehgeräts ab.

\*8 Der Stromverbrauch im Standby-Betrieb wird erreicht, nachdem das Fernsehgerät die notwendigen internen Prozesse abgeschlossen hat.

\*9 Die Standby-Leistung steigt, wenn der Fernseher mit dem Netzwerk verbunden ist.


## Hinweis

- Entfernen Sie nicht die Kartenattrappe oder -abdeckung (die Verfügbarkeit hängt von Fernsehgerätemodell ab) aus dem Einschub TV CAM (Zugangskontrollmodul), außer wenn Sie eine passende Smartcard in einem CAM einsetzen möchten.
- Die Verfügbarkeit des optionalen Zubehörs hängt vom Land/der Region/dem Fernsehmodell/der Lagerhaltung ab.
- Änderungen, die dem technischen Fortschritt dienen, bleiben vorbehalten.

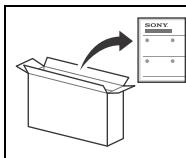
## Hinweise zu Funktionen für digitale Sender

- Digitalfernsehen (terrestrisches DVB-T, Satellit und Kabel), interaktive Dienste und Netzwerkfunktionen sind möglicherweise nicht in allen Ländern oder Regionen verfügbar. Einige Funktionen sind möglicherweise bei einigen Anbietern und in manchen Netzwerkumgebungen nicht aktiviert oder funktionieren evtl. nicht ordnungsgemäß. Einige TV-Dienstleister verlangen u. U. eine Gebühr für ihre Dienste.
- Dieses Fernsehgerät unterstützt Digitalrundfunk mit MPEG-2-, H.264/MPEG-4 AVC- und H.265/HEVC-Codex. Eine Kompatibilität mit allen Betreibern/Dienstsignalen, die sich im Laufe der Zeit ändern können, kann jedoch nicht garantiert werden.

## Information zu Warenzeichen

- Die Begriffe HDMI und HDMI High-Definition Multimedia Interface sowie das HDMI-Logo sind Marken oder eingetragene Marken von HDMI Licensing Administrator, Inc. in den Vereinigten Staaten und anderen Ländern.
- Dolby, Dolby Vision, Dolby Audio und das Doppel-D-Symbol sind Warenzeichen von Dolby Laboratories. In Lizenz von Dolby Laboratories gefertigt. Vertrauliche unveröffentlichte Werke. Copyright © 1992-2015 Dolby Laboratories. Alle Rechte vorbehalten.
- „BRAVIA“, BRAVIA und BRAVIA Sync sind Marken oder eingetragene Marken der Sony Corporation.
- Gracenote, das Gracenote-Logo und der Schriftzug sowie das Logo „Powered by Gracenote“ sind eingetragene Marken oder Marken von Gracenote, Inc. in den Vereinigten Staaten und/oder anderen Ländern.
- Vewd® Core. Copyright 1995-2019 Vewd Software AS. All rights reserved.
- Google, Google Play, Chromecast, YouTube, Android TV und andere verwandte Marken und Logos sind Marken von Google LLC.
- Wi-Fi®, Wi-Fi Alliance® und Wi-Fi Direct® sind eingetragene Marken der Wi-Fi Alliance.
- Das Wi-Fi CERTIFIED™-Logo ist ein Gütezeichen der Wi-Fi Alliance.
- Die DTS-Patente finden Sie unter <http://patents.dts.com>. Hergestellt unter Lizenz von DTS, Inc. DTS, das Symbol, & DTS und das Symbol zusammen sind eingetragene Markenzeichen und DTS Digital Surround ist ein Markenzeichen von DTS, Inc. © DTS, Inc. Alle Rechte vorbehalten.
- Die Bluetooth® Wortmarke und -Logos sind eingetragene Marken, die Eigentum der Bluetooth SIG, Inc. sind und von der Sony Corporation unter Lizenz verwendet werden. Andere Markenzeichen und Markennamen sind Eigentum der jeweiligen Rechteinhaber.
- Netflix ist eine eingetragene Marke von Netflix, Inc.
- DiSEqC™ ist ein Markenzeichen der EUTELSAT. Dieses Fernsehgerät unterstützt DiSEqC 1.0. Dieses Fernsehgerät eignet sich nicht zum Steuern von Motorantennen.
- TUXERA ist ein eingetragenes Markenzeichen der Tuxera Inc. in den USA und in anderen Ländern.
- Das USB-IF SuperSpeed USB-Dreizack-Logo ist eine eingetragene Marke von USB Implementers Forum, Inc. 
- Alle anderen Marken befinden sich im Besitz ihrer jeweiligen Eigentümer.





Consulte o Guia de Configuração para obter informações sobre como montar o Suporte de mesa do televisor.

## Índice

AVISO IMPORTANTE .....	2
Informações de segurança .....	3
Telecomando e Televisor .....	5
Diagrama de Ligações .....	6
Instalar o televisor na parede .....	8
Utilizar o Suporte de parede opcional .....	8
Separar o Suporte de mesa do televisor .....	9
Resolução de problemas .....	10
Problemas e soluções .....	10
Características técnicas .....	10

### Ligação de Internet e Privacidade de dados

Este produto liga-se à Internet durante a configuração inicial assim que a rede é ligada de forma a confirmar a ligação à Internet e posteriormente para configurar o ecrã Inicial. O seu endereço IP é utilizado nestas e todas as outras ligações à Internet. Se não quiser que o seu endereço IP seja utilizado, não configure a função de Internet sem fios e não ligue um cabo de Internet. Consulte as informações de privacidade apresentadas nos ecrãs de configuração para mais informações acerca das ligações à Internet.

## Introdução

Obrigado por escolher este produto Sony. Antes de utilizar o televisor, leia este manual com atenção e guarde-o para futuras consultas.

### Nota

- Antes de utilizar o televisor, por favor leia "Informações de segurança" (página 3).
- Leia as Informações de Segurança para obter informações de segurança adicionais.
- As imagens e ilustrações utilizadas no Guia de configuração e neste manual destinam-se a ser utilizadas apenas como referência e podem ser diferentes do produto real.
- O "xx" que aparece no nome do modelo corresponde a um dígito numérico, relacionado com o design, a cor ou o sistema do televisor.

## Ajuda

Encontre mais resoluções de problemas e outras informações úteis diretamente no seu televisor. Carregue **HELP** no telecomando para apresentar uma lista de tópicos, ou para procurar por palavras.

### Guia de Ajuda (Manual)

Para informação mais detalhada, selecione [Guia de ajuda] no menu Ajuda no seu televisor. Também pode verificar o Guia de Ajuda a partir do seu PC ou smartphone (informações indicadas na contracapa deste manual).

## Localização da etiqueta de identificação

As etiquetas com o N.º de Modelo, a Data de Fabrico (ano/mês) e a classificação de Alimentação encontram-se na parte traseira do televisor ou na embalagem.

## AVISO IMPORTANTE

### Aviso para Equipamento de Rádio



A Sony Visual Products Inc. declara que os tipos de equipamento de rádio KD-85XG8596, KD-75XG8796, KD-75XG8599, KD-75XG8596, KD-75XG8588, KD-75XG8505, KD-65XG8796, KD-65XG8599, KD-65XG8596, KD-65XG8588, KD-65XG8577, KD-65XG8505, KD-55XG8796, KD-55XG8599, KD-55XG8596, KD-55XG8588, KD-55XG8577, KD-55XG8505 estão em conformidade com a Diretiva 2014/53/UE. O texto integral da declaração de conformidade está disponível no seguinte endereço de Internet: <http://www.compliance.sony.de/>

Nota para os clientes: as seguintes informações apenas se aplicam a equipamento comercializado em países que aplicam as diretivas da UE.

No que diz respeito a este equipamento de rádio, as seguintes restrições relativas à colocação em serviço ou dos requisitos de autorização de utilização aplicam-se em AT, BE, HR, CY, CZ, DK, EE, FI, FR, DE, EL, HU, IE, IT, LV, LT, LU, MT, NL, PL, PT, SK, SI, ES, SE, UK, IS, LI, NO, CH, BG, RO, TR, AL, BA, MK, MD, RS, ME, Kosovo : a banda 5.150 - 5.350 MHz está restringida apenas a operações no interior.

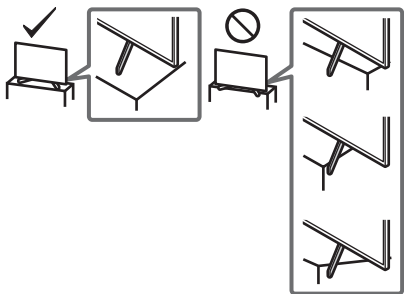
## Informações de segurança

### Instalação/Programação

Instale e utilize o televisor conforme as instruções abaixo para evitar todo o risco de incêndio, choque elétrico ou avaria e/ou feridas.

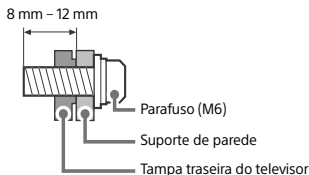
#### Instalação

- O televisor deve ser instalado perto de uma tomada de corrente elétrica facilmente acessível.
- Coloque o televisor numa superfície nivelada e estável, para evitar que caia e provoque ferimentos pessoais ou danos no produto.
- Instale o televisor num local onde não possa ser puxado, empurrado ou derrubado.
- Instale o televisor de forma a que o Suporte de mesa do televisor não fique de fora do suporte do televisor (não fornecido). Se o Suporte de mesa ficar de fora do suporte do televisor, poderá levar a que o aparelho caia e provoque ferimentos pessoais ou danos no televisor.

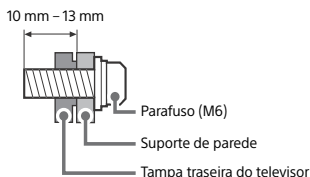


- Só técnicos de assistência qualificadas devem realizar as instalações de Suporte de parede.
- Por razões de segurança, recomendamos fortemente que utilize acessórios da Sony, a incluir:
  - Suporte de parede SU-WL450
- Certifique-se de que utiliza os parafusos fornecidos com o Suporte de parede quando instalar o Suporte de parede no televisor. Os parafusos fornecidos têm a dimensão indicada pela ilustração quando medidos a partir da superfície de fixação do Suporte de parede. O diâmetro e o comprimento dos parafusos são diferentes dependendo do modelo de Suporte para montagem na parede. A utilização de parafusos diferentes dos fornecidos pode provocar avarias internas no televisor ou fazer com que caia, etc.

#### KD-85XG85xx



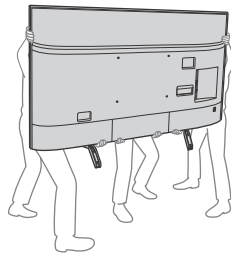
#### KD-75/65/55XG87xx, KD-75/65/55XG85xx



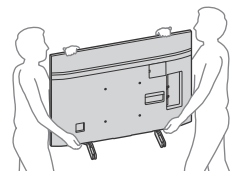
#### Transporte

- Antes de transportar o televisor, desligue todos os cabos.
- São necessárias duas ou mais pessoas (três ou mais pessoas KD-85XG85xx) para transportar um televisor de tamanho grande.
- Ao transportar manualmente o televisor, segure-o conforme é apresentado abaixo. Não faça pressão sobre o painel LCD nem sobre a moldura em redor do ecrã.
- Quando levantar ou mover o televisor, segure-o firmemente pela parte de baixo.

#### KD-85XG85xx



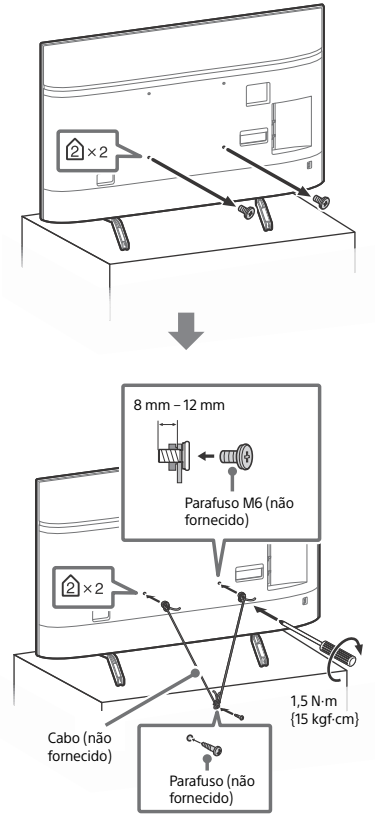
#### KD-75/65/55XG87xx, KD-75/65/55XG85xx



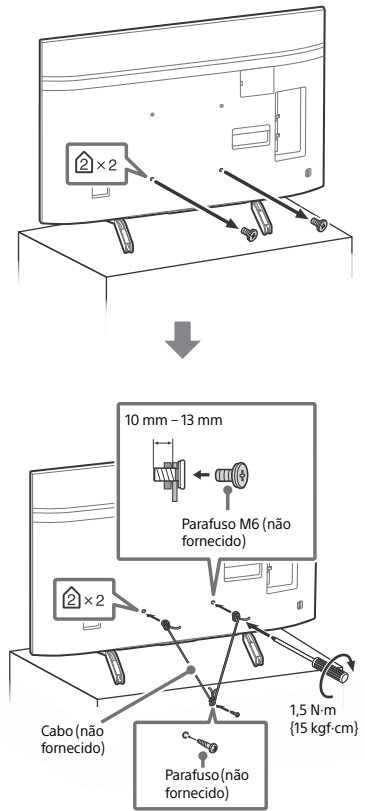
- Não exponha o televisor a choques ou vibrações excessivas durante o transporte.
- Se tiver que transportar o televisor ou levá-lo para reparações, utilize a caixa e os materiais de embalagem originais.

# Prevenir quedas

KD-85XG85xx



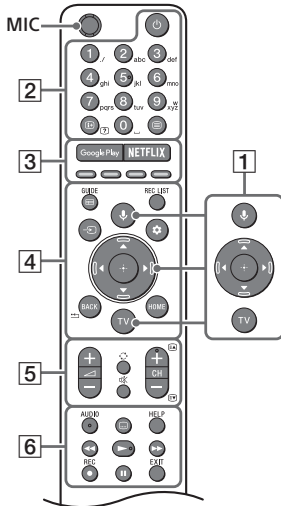
KD-75/65/55XG87xx, KD-75/65/55XG85xx





# Telecomando e Televisor

A forma, localização, disponibilidade e função dos botões do telecomando pode variar, dependendo da região/país/modelo de televisor.



- 1** **🔊 (Microfone):** Utilize a função pesquisa por voz. (p. ex., procure vários conteúdos por voz.)\*<sup>1</sup>
- ▲/▼/◀/▶/⊕ (Navegação D-Pad):** Menu de navegação e seleção no ecrã.
- TV:** Muda para um canal de televisão ou entra e mostra o menu TV.

- 2** **⏻ (Televisor em modo de espera) (standby)**

**Botões numéricos**

**ℹ️/? (Revelação de Informação/ Teletexto):** Apresentar informações.

**☰ (Teletexto):** Apresentar informações de teletexto.

- 3** **Google Play**  
**NETFLIX (Apenas em determinadas regiões/países/modelos de televisor)**  
**Botões coloridos**

- 4** **GUIDE/☰:** Apresente o guia de programas digital, ou EPG da caixa de televisão por cabo/satélite\*<sup>2</sup>.
- REC LIST:** Apresenta a lista Rec do USB HDD ou DVR\*<sup>2</sup>.

**↔️ (Seleção de entrada):** Apresenta e seleciona a fonte de entrada, etc.

**⚙️ (Definições Rápidas):** Apresenta as Definições Rápidas.

**BACK/\*←**

**HOME**

- 5** **🔊 +/- (Volume)**

**⏪ (Saltar)**

**🔇 (Sem som)**

**Sugestão**

- É possível ativar ou desativar o serviço do atalho de acessibilidade premindo ininterruptamente **🔇**.

**CH +/-/EA/ETV**

No modo de televisão: Selecionar o canal.  
No modo de Teletexto: Selecionar a página seguinte (**EA**) ou anterior (**ETV**).

- 6** **AUDIO:** Seleccione o som da fonte multilíngue ou som duplo (dependendo da fonte do programa).

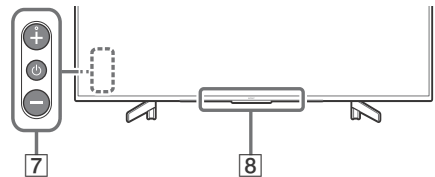
**⋮ (Configurar legendas)**

**HELP:** Apresentar menu de Ajuda.

**◀️/▶️/⏪/⏩**

**● REC:** Grave o programa em visualização atualmente no USB HDD ou DVR\*<sup>2</sup>.

**EXIT**



- 7** **⏻ (Alimentação)**

- 8** **Sensor do telecomando / Sensor de luz / Iluminação LED**

\*<sup>1</sup> A pesquisa por voz requer uma ligação à Internet.

\*<sup>2</sup> [Configuração da caixa de cabo/satélite] é necessária a configuração (apenas em determinadas regiões/países/modelos de televisor). Para mais informações, consulte o Guia de ajuda.



### 1 CAM (Módulo de Acesso Condicional)

- Permite o acesso a serviços de televisão pagos. Para mais informações, consulte o manual de instruções fornecido com o CAM.
- Não introduza o smart card diretamente na ranhura CAM do televisor. Tem de ser introduzido no Módulo de Acesso Condicional fornecido pelo seu agente autorizado.
- O CAM não é suportado em todos os países/regiões. Verifique com o seu agente autorizado.
- Pode aparecer uma mensagem do CAM quando muda para um programa digital depois de utilizar vídeo Internet.

### 2 **USB 1/2**, **USB 3 (HDD REC)\*3**

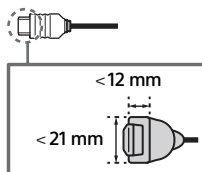
- Ligar um grande dispositivo USB pode interferir com outros dispositivos ligados junto do mesmo.
- Ao ligar um grande dispositivo USB, ligue à tomada USB 1.
- Ligue um dispositivo USB HDD à porta USB 3 (azul).

### 3 (Auscultador)

- Compatível apenas com cabo Mini-tomada estéreo de 3-pólos.
- Não pode obter som do auscultador e dos altifalantes da TV simultaneamente.

### 4 **HDMI IN 1/2/3/4**

- O interface HDMI consegue transferir o vídeo e áudio digital em apenas um cabo.



- Para apreciar os conteúdos de alta qualidade 4K 50p/60p, ligue um cabo HDMI de Alta Velocidade Premium e defina o [Formato de sinal HDMI] para [Formato avançado].  
Faça isto individualmente para cada terminal HDMI IN ligado. Para detalhes sobre os formatos suportados, consulte as “Características técnicas” neste manual (página 10-12).
- **HDMI IN 3 eARC/ARC (Enhanced Audio Return Channel/Audio Return Channel)**  
Ligue o seu sistema de áudio a HDMI IN 3 para encaminhar o áudio do televisor para o seu sistema de áudio. Um sistema de áudio que suporta HDMI eARC/ARC pode enviar vídeo para o televisor e receber áudio do televisor através do mesmo cabo HDMI. Se o seu sistema de áudio não suporta HDMI eARC/ARC, uma ligação adicional com DIGITAL AUDIO OUT (OPTICAL) é necessária.
- Use o cabo HDMI com Ethernet para ligar o sistema de áudio ao eARC.



### 5 (Entrada RF), (Entrada satélite)

- Ligações para antena terrestre/cabo e satélite. Passos da ligação: SUB. → MAIN → Antena
- Para tomada SUB., ligue apenas quando estiver a usar o modo de sintonizador duplo para a Distribuição por Um Cabo EN50494.

\*1 Ao ligar equipamento mono, ligue à tomada de áudio L (MONO).

\*2 Para um dispositivo externo que só tenha SCART AV OUT, utilize um adaptador SCART-RCA.

\*3 Apenas em determinadas regiões/países/modelos de televisor.

# Instalar o televisor na parede

## Utilizar o Suporte de parede opcional

Este manual de instruções do televisor fornece apenas os passos para preparar o televisor para a instalação na parede antes deste ser instalado na parede.

### Para os clientes:

Para proteção do produto e por razões de segurança, a Sony recomenda vivamente que a instalação do seu televisor seja efetuada por agentes Sony ou contratantes licenciados. Não tente instalá-lo por si próprio.

### Para os agentes e contratantes da Sony:

Preste total atenção às medidas de segurança durante a instalação, manutenção periódica e análise deste produto.

É necessária uma formação técnica adequada para instalar este produto, especialmente para determinar a resistência da parede para suportar o peso do televisor. Certifique-se de que a instalação deste produto na parede é efetuada por agentes Sony ou por contratantes licenciados e preste atenção às medidas de segurança durante a instalação. A Sony não se responsabiliza por quaisquer danos ou ferimentos causados pela utilização indevida ou instalação incorreta.

Utilize o Suporte de parede SU-WL450 (não fornecido) para instalar o televisor na parede.

Ao instalar o Suporte de parede, consulte também as Instruções de operação e o Guia de instalação fornecidos com o Suporte de parede.

### Nota

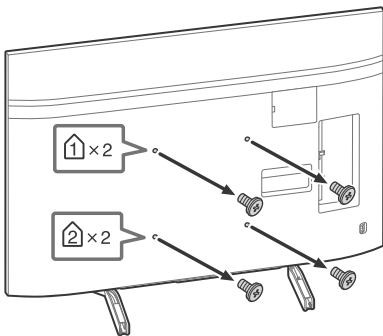
- Certifique-se de que guarda os parafusos retirados num local seguro, mantendo-os afastados de crianças.



Para obter instruções sobre a instalação do Suporte de parede, veja a Informação de Instalação (Suporte de parede) na página do produto para o modelo do seu televisor.

[www.sony.eu/support/](http://www.sony.eu/support/)

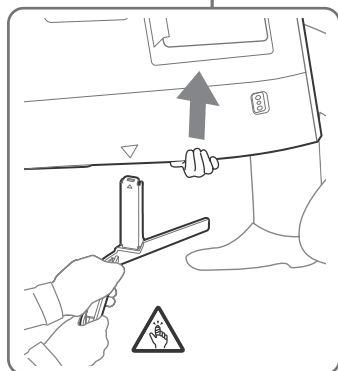
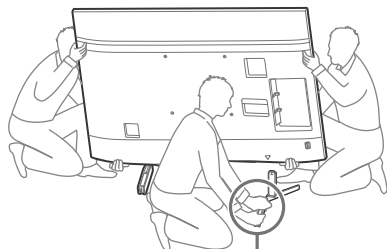
Retire os parafusos da parte de trás do televisor.



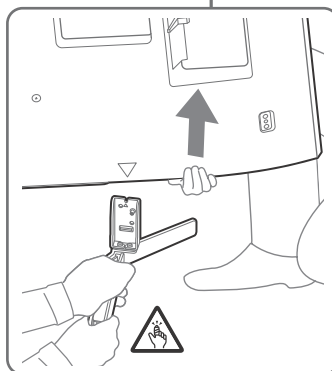
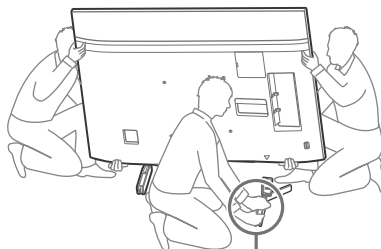
## Separar o Suporte de mesa do televisor

- 1 Remova um lado do Suporte de Mesa do Televisor de cada vez. Firmemente segure no Suporte de Mesa do Televisor com ambas as mãos enquanto outra pessoa levanta o televisor.

KD-85XG85xx



KD-75/65/55XG87xx, KD-75/65/55XG85xx



- 2 Repita o passo anterior e remova o outro lado do Suporte de Mesa do Televisor.

### Nota

- Três ou mais pessoas são necessárias para desencaixar o Suporte de Mesa do televisor.
- Tenha cuidado para não exercer demasiada força enquanto desencaixa o Suporte De Mesa do Televisor, pois pode causar a queda do televisor e resultar em ferimentos pessoais ou danos físicos ao televisor.
- Tenha cuidado quando manuseia o Suporte de Mesa do Televisor para prevenir danos ao televisor.
- Tenha cuidado ao levantar o televisor, pois o Suporte de Mesa do Televisor é desencaixado, o Suporte de Mesa do Televisor pode cair e provocar ferimentos pessoais.
- Tenha cuidado ao remover o Suporte de Mesa do Televisor para evitar que caia e danifique a superfície onde se encontra o televisor.

## Resolução de problemas

Resolução de problemas geral de questões como: ecrã preto, sem som, imagem bloqueada, o televisor não responde ou se perdeu a rede, realize os passos seguintes.

- 1 Reinicie o seu televisor carregando no botão de alimentação no telecomando até que surja uma mensagem. O televisor vai reinicia. Tente desligar o cabo de alimentação se o televisor não recuperar. Prima então o botão de alimentação no televisor e aguarde dois minutos e ligue o cabo de alimentação.
- 2 Consulte o menu Ajuda carregando em **HELP** no telecomando.
- 3 Ligue o televisor à Internet e realize uma atualização de software. A Sony recomenda-o a manter o software do seu televisor atualizado. As atualizações de software proporcionam novas funcionalidades e melhoram o desempenho.
- 4 Visite o Web site de apoio da Sony (informações indicadas na capa deste manual).

### Quando liga o televisor, o televisor pode demorar algum tempo a ligar mesmo que carregue no botão de alimentação no telecomando ou no televisor.

Demora algum tempo para inicializar o sistema. Aguarde cerca de um minuto e, em seguida, volte a operar.

## Problemas e soluções

### Quando a iluminação LED estiver a piscar a vermelho.

- Anote o número de vezes que pisca (o tempo de intervalo é de três segundos). Reinicie o televisor desligando o cabo de alimentação até o LED de iluminação parar de piscar a vermelho e, em seguida, ligue o televisor. Se o problema persistir, desligue o cabo de alimentação e contacte o seu agente ou centro de assistência Sony e indique o número de vezes que a iluminação LED pisca.

### Não se recebe o serviço terrestre/cabo.

- Verifique a ligação da antena (aérea)/cabo e definições do amplificador.
- Selecione o serviço terrestre/por cabo premindo **TV** no telecomando e, em seguida, selecione [Digital] se o serviço de transmissão não for apresentado.

- O sinal terrestre pode ser suprimido se existir um sinal forte disponibilizado nas proximidades. Defina [LNA (Canal ---)] para [Desativar] nas definições da sintonia digital.
- Depois de se mudar para uma casa nova ou tentar receber novos serviços, tente uma pesquisa de serviço selecionando [Sintonia Digital].

### Não se recebe o serviço satélite.

- Verifique a ligação do cabo de satélite.
- Quando é apresentada a mensagem [Nenhum sinal. Overload do LNB...], desligue o cabo de alimentação. Em seguida, certifique-se de que o cabo de satélite não está danificado e que a linha do sinal de satélite não está em curto-circuito no conector de satélite.

### O telecomando não funciona.

- Substitua as pilhas.

### Esqueceu a palavra-passe do bloqueio parental de transmissão.

- Introduza 9999 para o código PIN e selecione [Altere o código PIN].

### A área na proximidade do televisor aquece.

- Quando o televisor é utilizado durante um período de tempo prolongado, a área na proximidade do televisor aquece. Poderá sentir a superfície quente ao tocar com a mão.

## Características técnicas

### Sistema

Sistema do ecrã

Ecrã LCD (Visor de cristais líquidos), Retroiluminação LED

Sistema de televisão

Dependendo do país/área/modelos de televisor

Analogico: B/G, D/K, I

Digital: DVB-T/DVB-C

DVB-T2<sup>1</sup>

Satélite<sup>1</sup>: DVB-S/DVB-S2

Sistema de Cor

PAL/SECAM/NTSC3.58 (apenas vídeo)/NTSC4.43 (apenas vídeo)

Cobertura de canais

Dependendo do país/área/modelos de televisor

Analogico: UHF/VHF/Cabo

Digital: UHF/VHF/Cabo

Satélite<sup>1</sup>: Frequência IF 950-2.150 MHz

Saída de som

10 W + 10 W

Tecnologia sem fios

Protocolo IEEE802.11ac/a/b/g/n

(IEEE802.11ac pode não estar disponível dependendo da sua região/país.)

Bluetooth Versão 4.2

## Banda de frequência(s)

LAN sem fios (IEEE802.11ac/a/b/g/n)	
Gama de frequência	Potência de Saída
2.400-2.483,5 MHz	< 20,0 dBm
5.150-5.250 MHz	< 23,0 dBm
5.250-5.350 MHz	< 20,0 dBm
5.470-5.725 MHz	< 20,0 dBm
5.725-5.850 MHz	< 13,9 dBm

Bluetooth	
Gama de frequência	Potência de Saída
2.400-2.483,5 MHz	< 10,0 dBm

## RMF-TX600E/TX500E

Bluetooth	
Gama de frequência	Potência de Saída
2.400-2.483,5 MHz	< 10,0 dBm

## Versão do software

Este equipamento de rádio destina-se a ser utilizado com a(s) versão(ões) de software aprovada(s) que está(ão) indicada(s) na Declaração de Conformidade da UE.

Carregue em **HELP** no telecomando para saber qual a versão do software.

Telecomando:

Selecione [Telecomando] → [Versão do Software] em [Definições]. Para mais informações, consulte o Guia de ajuda. O software carregado neste equipamento de rádio está verificado e de acordo com os requisitos essenciais da Diretiva 2014/53/UE.

## Tomadas de Entrada/Saída

### Antena (aérea)/cabo

Terminal externo de 75 ohm para VHF/UHF

### Antena de satélite\*1

Conector de tipo F fêmea, 75 ohm.

DiSEqC 1.0, LNB 13 V/18 V & tom 22 kHz, Distribuição por um Cabo EN50494.

### COMPONENT IN

YPaP<sub>a</sub> (Vídeo por Componentes): 1080p (50, 60 Hz), 1080i (50, 60 Hz), 720p (50, 60 Hz), 576p, 576i, 480p, 480i

Entrada de áudio (tomadas RCA)

### AV IN

Entrada de vídeo (tomada de pinos RCA normal com entrada Y)

HDMI IN 1/2/3/4 (suporta resolução 4K, HDCP

2.3-compatível)

### Vídeo:

4096 × 2160p (50, 60 Hz)<sup>\*2,3</sup>, 4096 × 2160p (24 Hz)<sup>\*2</sup>, 3840 × 2160p (50, 60 Hz)<sup>\*3</sup>, 3840 × 2160p (24, 25, 30 Hz), 1080p (30, 50, 60 Hz), 1080/24p, 1080i (50, 60 Hz), 720p (30, 50, 60 Hz), 720/24p, 576p, 480p, Formatos PC<sup>\*4</sup>

### Áudio:

No modo eARC (Enhanced Audio Return Channel)<sup>\*5</sup>

Consulte o Guia de Ajuda para mais detalhes.

Exceto no modo eARC

PCM linear do canal 5,1: 32/44,1/48/88,2/96/176,4/192 kHz 16/20/24 bits, Dolby Digital, Dolby Digital Plus, DTS

eARC/ARC (Enhanced Audio Return Channel/Audio Return Channel) (Apenas nos modelos HDMI IN 3)

No modo eARC<sup>\*5</sup>

Consulte o Guia de Ajuda para mais detalhes.

No modo ARC

PCM linear de dois canais: 48 kHz 16 bits, Dolby Digital, Dolby Digital Plus, DTS

### DIGITAL AUDIO OUT (OPTICAL)

Tomada digital ótica (PCM linear de dois canais: 48 kHz 16 bits, Dolby Digital, DTS)

### (Mini-tomada estéreo)

Auscultador

1, 2, 3 (HDD REC)<sup>\*6</sup>

Porta do dispositivo USB ( 3 dispositivo USB HDD para a funcionalidade REC)

As portas USB 1 e 2 suportam High Speed USB (USB 2.0)

A porta USB 3 suporta Super Speed USB (USB 3.1 Gen 1)

### Ranhura CAM (Módulo de Acesso Condicional)

LAN

Conector 10BASE-T/100BASE-TX (Dependendo do ambiente de operação da rede, a velocidade de ligação pode variar. A taxa de comunicação e qualidade de comunicação não são garantidas.)

## Outros

### Accessórios opcionais

Suporte de parede: SU-WL450

### Temperatura de operação

0 °C – 40 °C

### Humidade operacional

10 % – 80 % HR (não condensada)

## Alimentação, Ficha de Produto e outros

### Requisitos de energia

220 V – 240 V CA, 50 Hz

### Classe de eficiência energética

KD-85XG85xx: A

KD-75XG87xx / KD-75XG85xx: A+

KD-65XG87xx / KD-65XG85xx: A

KD-55XG87xx / KD-55XG85xx: A

### Dimensões do ecrã (medido diagonalmente) (Aprox.)

KD-85XG85xx: 214,8 cm / 85 polegadas

KD-75XG87xx / KD-75XG85xx: 189,3 cm / 75 polegadas

KD-65XG87xx / KD-65XG85xx: 163,9 cm / 65 polegadas

KD-55XG87xx / KD-55XG85xx: 138,8 cm / 55 polegadas

### Consumo de energia

No modo [Standard]

KD-85XG85xx: 216 W

KD-75XG87xx / KD-75XG85xx: 158 W

KD-65XG87xx / KD-65XG85xx: 127 W

KD-55XG87xx / KD-55XG85xx: 111 W

No modo [Vívido]

KD-85XG8596: 362 W

KD-75XG8796: 275 W

KD-75XG8599: 275 W

KD-75XG8596: 275 W

KD-75XG8588: 275 W

KD-75XG8505: 275 W

KD-65XG8796: 221 W

KD-65XG8599: 221 W

KD-65XG8596: 221 W

KD-65XG8588: 221 W

KD-65XG8577: 221 W

KD-65XG8505: 221 W

KD-55XG8796: 186 W

KD-55XG8599: 186 W

KD-55XG8596: 186 W

KD-55XG8588: 186 W

KD-55XG8577: 186 W

KD-55XG8505: 186 W

### Consumo anual de energia\*7

KD-85XG85xx: 300 kWh por ano

KD-75XG87xx / KD-75XG85xx: 219 kWh por ano

KD-65XG87xx / KD-65XG85xx: 176 kWh por ano

KD-55XG87xx / KD-55XG85xx: 154 kWh por ano

### Consumo de energia no modo de espera (standby)\*8,\*9

0,50 W (25 W no modo de atualização do EPG/software)

### Resolução do ecrã

3.840 pontos (horizontal) × 2.160 linhas (vertical)

### Potência nominal

USB 1/2

5 V , 500 mA MÁX

USB 3

5 V , 900 mA MÁX

## Dimensões (Aprox.) (larg. × alt. × prof.)

com suporte de fixação para mesas

KD-85XG85xx: 190,9 × 117,5 × 43,3 cm  
KD-75XG87xx / KD-75XG85xx: 167,3 × 103,1 × 35,8 cm  
KD-65XG87xx / KD-65XG85xx: 145,0 × 89,9 × 31,6 cm  
KD-55XG87xx / KD-55XG85xx: 123,1 × 77,6 × 31,6 cm

sem suporte de fixação para mesas

KD-85XG85xx: 190,9 × 109,7 × 8,0 cm  
KD-75XG87xx / KD-75XG85xx: 167,3 × 96,3 × 5,4 cm  
KD-65XG87xx / KD-65XG85xx: 145,0 × 83,6 × 5,2 cm  
KD-55XG87xx / KD-55XG85xx: 123,1 × 71,3 × 5,2 cm

## Peso (Aprox.)

com suporte de fixação para mesas

KD-85XG85xx: 49 kg  
KD-75XG87xx / KD-75XG85xx: 39,3 kg  
KD-65XG87xx / KD-65XG85xx: 26,3 kg  
KD-55XG87xx / KD-55XG85xx: 19,7 kg

sem suporte de fixação para mesas

KD-85XG85xx: 46,5 kg  
KD-75XG87xx / KD-75XG85xx: 37,8 kg  
KD-65XG87xx / KD-65XG85xx: 25,3 kg  
KD-55XG87xx / KD-55XG85xx: 18,7 kg

- \*1 Nem todos os televisores têm tecnologia DVB-T2 ou DVB-S/52 ou terminal de antena satélite.
- \*2 Quando é introduzido 4096 × 2160p e [Modo expandido] é configurado para [Normal], a resolução é mostrada em 3840 × 2160p. Para visualizar em 4096 × 2160p, configure [Modo expandido] para [Integral 1] ou [Integral 2].
- \*3 Para suportar 18 Gbps, configure [Formato de sinal HDMI] para [Formato avançado].
- \*4 Consulte o Guia de Ajuda para mais detalhes.
- \*5 O modo eARC está ativo quando [Modo eARC] está definido para [Auto], [Altifalante] está definido para [Sistema de áudio] e o sistema de áudio compatível com eARC está ligado.
- \*6 Apenas em determinadas regiões/países/modelos de televisor.
- \*7 Consumo de energia em kWh por ano, com base no consumo de energia verificado com o televisor a funcionar 4 horas por dia durante 365 dias. O consumo de energia real irá depender da forma como o televisor é utilizado.
- \*8 A energia em modo de espera (standby) especificada é atingida depois de o televisor concluir os processos internos necessários.
- \*9 O consumo de energia em modo de espera (standby) irá aumentar quando o televisor estiver ligado à rede.

## Nota


- Não retire o cartão fictício ou cobertura (a disponibilidade depende do modelo do televisor) da ranhura TV CAM do televisor (Módulo de Acesso Condicional) exceto para inserir um cartão colocado no CAM.
- A disponibilidade dos acessórios opcionais depende dos países/região/modelo de televisor/stock.
- O design e as características técnicas estão sujeitas a alteração sem aviso prévio.

## Aviso para a função de televisão digital

- A Televisão Digital (DVB terrestre, satélite e cabo), serviços interativos e funções de rede, podem não estar disponíveis em todos os países e áreas. Algumas funções podem não ser permitidas ou podem não funcionar corretamente com alguns fornecedores e ambientes de rede. Alguns fornecedores de serviço de Televisão podem cobrar uma taxa pelos seus serviços.
- Este televisor suporta transmissão digital utilizando codecs MPEG-2, H.264/MPEG-4 AVC e H.265/HEVC, mas a compatibilidade com todos os sinais do operador/serviço, que pode mudar com o tempo, não pode ser garantida.

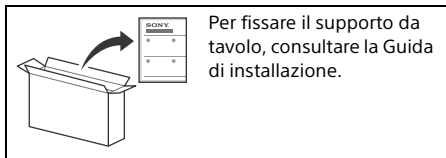
## Informação da marca registada

- Os termos HDMI e High-Definition Multimedia Interface e o logotipo HDMI são marcas ou marcas registradas da HDMI Licensing Administrator, Inc. nos Estados Unidos e em outros países.
- Dolby, Dolby Vision, Dolby Audio e o símbolo duplo D são marcas da Dolby Laboratories. Fabricado sob licença da Dolby Laboratories. Trabalhos confidenciais não publicados. Copyright © 1992-2015 Dolby Laboratories. Todos os direitos reservados.

- "BRAVIA", BRAVIA e BRAVIA Sync são marcas comerciais ou registadas da Sony Corporation.
- Gracenote, o logótipo Gracenote, o logo "Powered by Gracenote" são marcas comerciais registadas ou marcas comerciais da Gracenote, Inc. nos Estados Unidos e/ou outros países.
- Vewd® Core. Copyright 1995-2019 Vewd Software AS. All rights reserved.
- Google, Google Play, Chromecast, YouTube, Android TV e outras marcas relacionadas e logos são marcas comerciais da Google LLC.
- Wi-Fi®, Wi-Fi Alliance® e Wi-Fi Direct® são marcas comerciais registadas da Wi-Fi Alliance.
- O logo Wi-Fi CERTIFIED™ é uma marca de certificação da Wi-Fi Alliance.
- Para obter informações sobre patentes DTS, consulte <http://patents.dts.com>. Fabricado sob licença da DTS, Inc. DTS, o símbolo, & DTS e o símbolo em conjunto são marcas comerciais registadas e DTS Digital Surround é uma marca comercial da DTS, Inc. © DTS, Inc. Todos os direitos reservados.
- O símbolo da palavra e os logótipos Bluetooth® são marcas comerciais registadas da Bluetooth SIG, Inc. e qualquer utilização desses símbolos por parte da Sony Corporation está sob licença. Outras marcas comerciais e nomes comerciais são propriedade dos respetivos proprietários.
- Netflix é uma marca registada da Netflix, Inc.
- DiSEqC™ é uma marca comercial da EUTELSAT. Este televisor suporta DiSEqC 1.0. Este televisor não se destina ao controlo de antenas motorizadas.
- TUXERA é uma marca comercial registada da Tuxera Inc. nos EUA e outros países.
- O logótipo USB-IF SuperSpeed USB Trident é uma marca comercial registada da USB Implementers Forum, Inc. 
- Todas as outras marcas registadas são propriedade dos seus respetivos proprietários.







## Indice

NOTA IMPORTANTE. ....	2
Avvertenze sulla sicurezza. ....	3
Telecomando e televisore. ....	5
Schema di collegamento. ....	6
Installazione del televisore a parete. ....	8
Uso della staffa di montaggio a parete opzionale. ....	8
Rimozione del supporto da tavolo dal televisore. ....	9
Risoluzione dei problemi. ....	10
Problemi e soluzioni. ....	10
Caratteristiche tecniche. ....	10

### Connessione Internet e privacy dei dati

Questo prodotto si connette a Internet durante la configurazione iniziale non appena si collega una rete, al fine di verificare la connessione a Internet e, in seguito, per configurare la schermata Home. L'indirizzo IP viene utilizzato in questa e in tutte le altre connessioni a Internet. Se non si desidera utilizzare l'indirizzo IP, non configurare la funzione Internet wireless e non collegare un cavo Internet. Consultare le informazioni sulla privacy presentate nelle schermate di configurazione per ulteriori dettagli sulle connessioni a Internet.

## Introduzione

Grazie per avere scelto questo prodotto Sony. Prima di mettere in funzione il televisore, si prega di leggere attentamente il presente manuale e di conservarlo per farvi riferimento in futuro.

### Nota

- Prima di mettere in funzione il televisore, leggere le "Avvertenze sulla sicurezza" (pagina 3).
- Leggere le Avvertenze sulla sicurezza per ulteriori informazioni sulla sicurezza.
- Le immagini e le illustrazioni utilizzate nella Guida all'installazione e nel presente manuale servono esclusivamente come riferimento e possono differire dal prodotto effettivo.
- La "xx" che compare nel nome del modello corrisponde a un codice numerico legato al design, al colore o al sistema TV.

## Guida

Consultare ulteriori informazioni sulla risoluzione dei problemi e altre informazioni utili direttamente dal televisore. Premere **HELP** sul telecomando per visualizzare un elenco di argomenti o per la ricerca con parola chiave.

### Guida (manuale)

Per informazioni più dettagliate, selezionare [Guida] dal menu Guida del televisore. È inoltre possibile controllare la Guida dal PC o dallo smartphone (le informazioni sono fornite nella copertina posteriore del presente manuale).

## Ubicazione della targhetta di identificazione

Le etichette indicanti il modello, la data di produzione (anno/mese) e la tensione di alimentazione sono ubicate sul retro del televisore o sull'imballo.

## NOTA IMPORTANTE

### Nota per le apparecchiature radio



Il fabbricante, Sony Visual Products Inc., dichiara che i tipi di apparecchiatura radio KD-85XG8596, KD-75XG8796, KD-75XG8599, KD-75XG8596, KD-75XG8588, KD-75XG8505, KD-65XG8796, KD-65XG8599, KD-65XG8596, KD-65XG8588, KD-65XG8577, KD-65XG8505, KD-55XG8796, KD-55XG8599, KD-55XG8596, KD-55XG8588, KD-55XG8577, KD-55XG8505 sono conformi alla direttiva 2014/53/UE. Il testo completo della dichiarazione di conformità UE è disponibile al seguente indirizzo Internet: <http://www.compliance.sony.de/>

Avviso per i clienti: le seguenti informazioni si riferiscono esclusivamente ad apparecchi venduti in paesi che applicano le direttive UE.

Per la presente apparecchiatura radio, si applicano le seguenti restrizioni relative alla messa in servizio o relative ai requisiti per l'autorizzazione all'uso in AT, BE, HR, CY, CZ, DK, EE, FI, FR, DE, EL, HU, IE, IT, LV, LT, LU, MT, NL, PL, PT, SK, SI, ES, SE, UK, IS, LI, NO, CH, BG, RO, TR, AL, BA, MK, MD, RS, ME, Kosovo : la restrizione della banda 5.150 - 5.350 MHz si limita esclusivamente al funzionamento in interni.

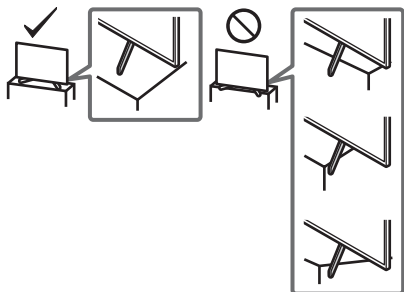
## Avvertenze sulla sicurezza

### Installazione/Impostazione

Installare e utilizzare il televisore attenendosi alle istruzioni di seguito al fine di evitare il rischio di incendi, scosse elettriche o danni e/o lesioni.

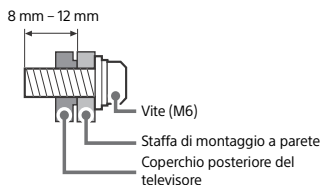
#### Installazione

- Il televisore deve essere installato in prossimità di una presa di corrente facilmente accessibile.
- Posizionare il televisore su una superficie stabile e piana per evitare che possa cadere e causare lesioni personali o danni materiali.
- Installare il televisore in una posizione che non permetta di tirarlo, spingerlo o rovesciarlo.
- Installare il televisore in modo che il relativo supporto da tavolo non sporga dal supporto del televisore (non in dotazione). Se il supporto da tavolo sporge dal supporto del televisore, il televisore potrebbe rovesciarsi o cadere e causare danni alle persone o al televisore stesso.

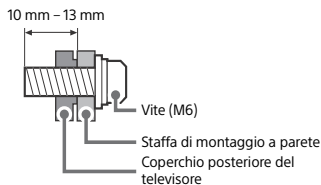


- Per l'installazione a parete rivolgersi esclusivamente a personale qualificato.
- Per motivi di sicurezza, si consiglia caldamente di utilizzare esclusivamente accessori Sony, come ad esempio:
  - Staffa di montaggio a parete SU-WL450
- Fissare la staffa di montaggio a parete al televisore utilizzando esclusivamente le viti fornite in dotazione. Le viti in dotazione sono come appaiono nell'illustrazione, misurate dalla superficie di fissaggio della staffa di montaggio a parete. Il diametro e la lunghezza delle viti differiscono in base al modello di staffa per il montaggio a parete. L'uso di viti diverse da quelle in dotazione può determinare danni interni al televisore o provocarne la caduta, ecc.

#### KD-85XG85xx



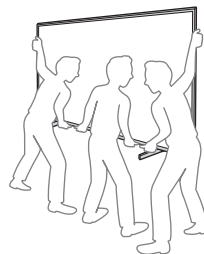
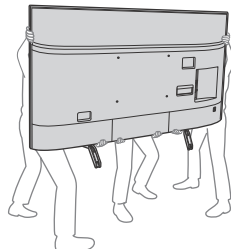
#### KD-75/65/55XG87xx, KD-75/65/55XG85xx



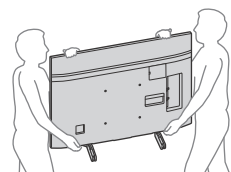
### Trasporto

- Prima di trasportare il televisore, scollegare tutti i cavi.
- Per trasportare un televisore di grandi dimensioni sono necessarie due o più persone (tre o più persone per KD-85XG85xx).
- Quando si trasporta il televisore manualmente, sostenerlo come mostrato sotto. Non praticare pressione sul pannello LCD e sulla cornice intorno allo schermo.
- Quando si solleva o si sposta il televisore, tenerlo saldamente dal lato inferiore.

#### KD-85XG85xx



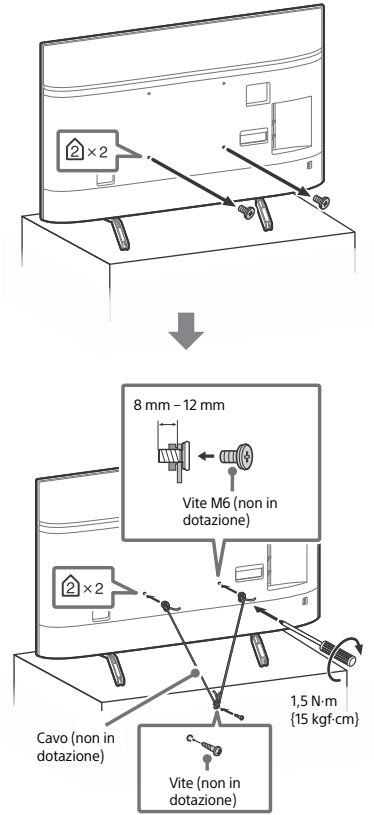
#### KD-75/65/55XG87xx, KD-75/65/55XG85xx



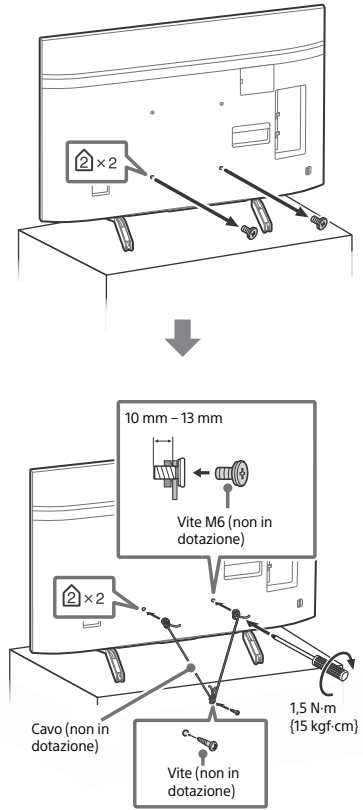
- Durante il trasporto, non sottoporre il televisore a urti o vibrazioni eccessive.
- Nel caso in cui si renda necessario trasportare il televisore per farlo riparare o per un trasloco, richiuderlo sempre nell'imballaggio originale.

## Prevenzione delle cadute

KD-85XG85xx

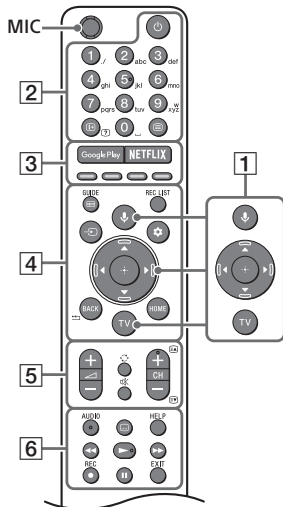


KD-75/65/55XG87xx, KD-75/65/55XG85xx



## Telecomando e televisore

La forma del telecomando, la posizione, la disponibilità e le funzioni dei tasti del telecomando possono variare a seconda della regione/del paese/del modello del televisore.



- 1 **MIC (Microfono):** Consente di utilizzare la ricerca vocale. (per es. di cercare svariati contenuti tramite comandi vocali.)\*<sup>1</sup>  
**▲/▼/◀/▶/⊕ (D-Pad di navigazione):** Navigazione e selezione nel menu su schermo.  
**TV:** Cambiare programma TV o un ingresso e visualizzare il menu TV.
- 2 **⏻ (Standby TV)**  
**Tasti numerici**  
**ℹ/?** **(Info/Mostra testo):** Consente di visualizzare le informazioni sul programma in onda, oppure la soluzione dei quesiti nel Televideo.  
**☰ (Televideo):** Consente di visualizzare le informazioni del Televideo.
- 3 **Google Play**  
**NETFLIX (Solo per alcune Regioni / Paesi / Modelli TV)**  
**Tasti colorati**
- 4 **GUIDE/☰:** Consente di visualizzare la guida TV o EPG via cavo/satellitare\*<sup>2</sup>.

**REC LIST:** Consente di visualizzare l'elenco Rec dell'USB HDD o DVR\*<sup>2</sup>.

→ **(Selezione ingresso):** Consente di visualizzare e selezionare la sorgente di ingresso, ecc.

⚙ **(Impostazioni rapide):** Consente di visualizzare le Impostazioni rapide.

**BACK/⏪**

**HOME**

5 **↔ +/- (Volume)**

⏮ **(Salto)**

⊗ **(Disattivazione audio)**

**Suggerimento**

- Il servizio di collegamento rapido all'accesso può essere attivato o disattivato tenendo premuto ⊗.

**CH +/-/⏪/⏩**

In modalità televisore: Selezione del canale.

In modalità Televideo: Consente di selezionare la pagina successiva (⏩) o precedente (⏪).

6 **AUDIO:** Consente di selezionare l'audio di una sorgente multilingue o dual (a seconda della sorgente del programma).

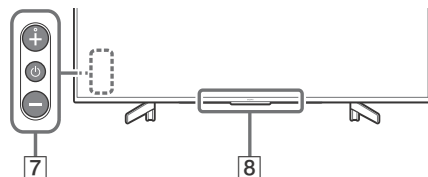
⋮ **(Impostazione Sottotitoli)**

**HELP:** Consente di visualizzare il menu Guida.

⏮/▶/▶▶/⏸

● **REC:** Consente di registrare il programma attualmente visualizzato sull'USB HDD o DVR\*<sup>2</sup>.

**EXIT**



7 **⏻ (Accensione)**

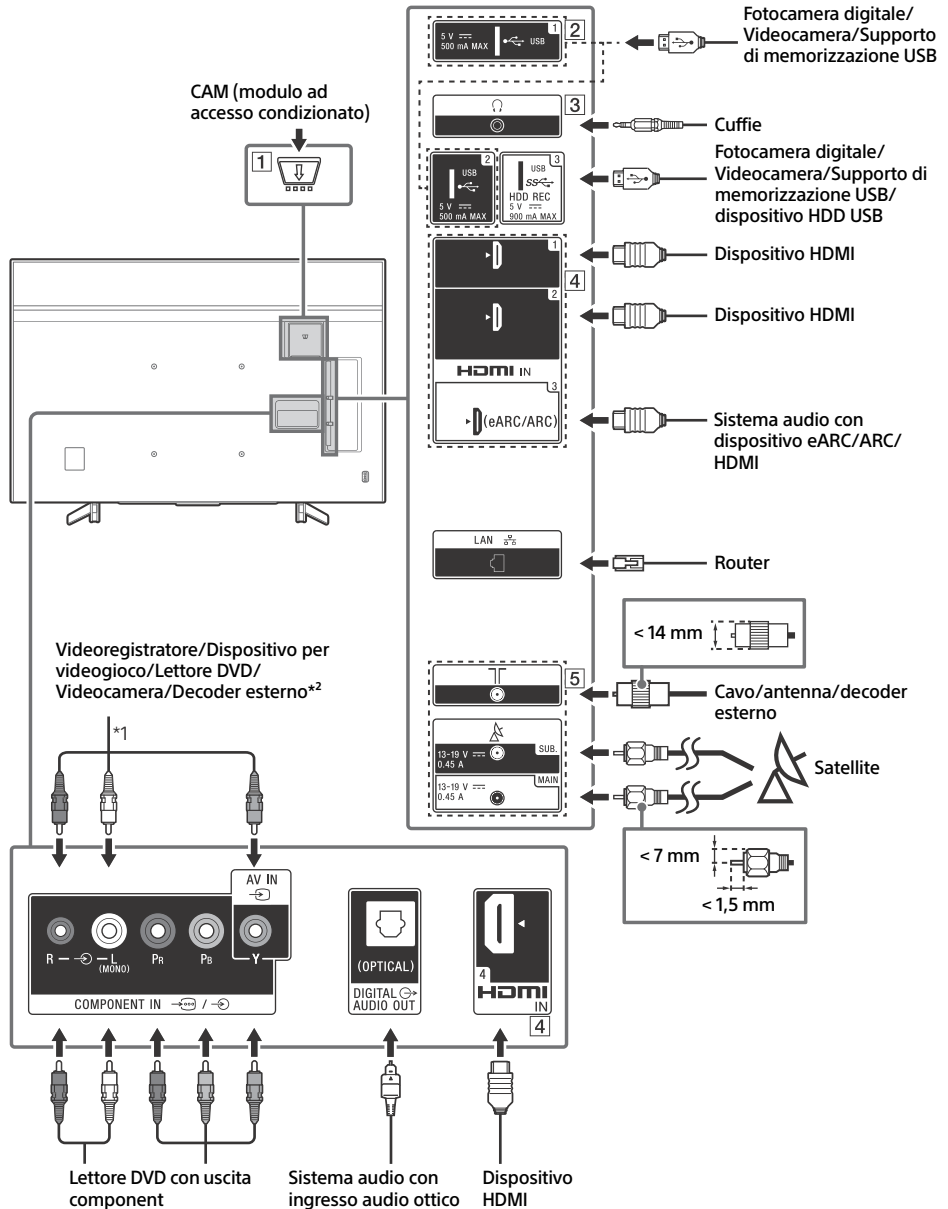
8 **Sensore del telecomando / Sensore di luce / Indicatore LED**

\*<sup>1</sup> La ricerca vocale richiede una connessione Internet.

\*<sup>2</sup> È necessaria l'impostazione [Configurazione decoder cavo/satellite] (solo per alcune regioni / Paesi / modelli TV). Per ulteriori informazioni, consultare la Guida.

# Schema di collegamento

Per ulteriori informazioni sui collegamenti, consultare la Guida premendo il tasto **HELP** sul telecomando.



### 1 CAM (Conditional Access Module, modulo ad accesso condizionato)

- Consente l'accesso ai servizi televisivi a pagamento. Per ulteriori dettagli, fare riferimento al manuale d'uso in dotazione alla CAM.
- La smart card non va inserita direttamente nell'alloggiamento CAM del televisore, ma nell'apposita fessura della CAM, la quale è reperibile presso i rivenditori autorizzati di zona.
- L'uso della CAM non è supportato in alcuni paesi/aree. Rivolgersi a un rivenditore autorizzato di zona per verificarne la possibilità di utilizzo.
- Un messaggio CAM può apparire quando si passa a un programma digitale dopo aver visualizzato video su Internet.

### 2 USB 1/2, USB 3 (HDD REC)\*3

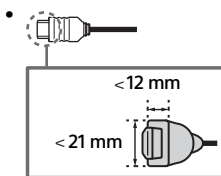
- Collegare un dispositivo USB di grande capacità potrebbe interferire con altri dispositivi collegati.
- Quando si collega un dispositivo USB di grande capacità, utilizzare la presa USB 1.
- Collegare un dispositivo USB HDD alla porta USB 3 (blu).

### 3 (Cuffie)

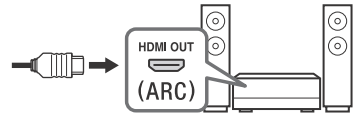
- Supporta solo il mini jack stereo tripolare.
- Non è possibile trasmettere il suono contemporaneamente dalle cuffie e dagli altoparlanti del televisore.

### 4 HDMI IN 1/2/3/4

- L'interfaccia HDMI è in grado di trasferire il video e l'audio digitale su un singolo cavo.



- Per ottenere contenuti 4K 50p/60p di alta qualità, collegare un cavo High Speed HDMI Premium e impostare [Formato segnale HDMI] su [Formato avanzato]. Eseguire questa impostazione per ogni singolo terminale HDMI IN. Per dettagli sui formati supportati, fare riferimento a "Caratteristiche tecniche" nel presente manuale (pagina 10-12).
- **HDMI IN 3 eARC/ARC (Enhanced Audio Return Channel/Audio Return Channel)**  
Collegare il sistema audio a HDMI IN 3 per dirigere l'audio del televisore verso il sistema audio. Un sistema audio con supporto HDMI eARC/ARC è in grado di inviare il video al televisore e di ricevere l'audio dal televisore tramite lo stesso cavo HDMI. Se il sistema audio non supporta HDMI eARC/ARC, è necessario un ulteriore collegamento a DIGITAL AUDIO OUT (OPTICAL).
- Utilizzare il cavo HDMI con Ethernet per collegare il sistema audio a eARC.



### 5 (Ingresso RF), (Ingresso satellite)

- Collegamenti per digitale terrestre/TV via cavo e satellite. Fasi di collegamento: SUB. → MAIN → Antenna
- Per il connettore jack SUB., collegare solo quando si utilizza la modalità sintonizzatore Twin ad eccezione della Distribuzione via cavo singolo EN50494.

\*1 Quando si collega un dispositivo monofonico, eseguire il collegamento al connettore jack audio L (MONO).

\*2 Per un dispositivo esterno con solo SCART AV OUT, utilizzare un adattatore SCART-RCA.

\*3 Solo per alcune Regioni / Paesi / Modelli TV.

# Installazione del televisore a parete

## Uso della staffa di montaggio a parete opzionale

Il presente manuale d'uso fornisce solo le fasi di preparazione del televisore in vista dell'installazione a parete.

### Per i clienti:

Per evitare di danneggiare il prodotto e per ragioni di sicurezza, Sony raccomanda vivamente di affidare l'installazione del televisore a rivenditori o a installatori autorizzati Sony. Non cercare di eseguire l'installazione personalmente.

### Per i rivenditori e installatori Sony:

Prestare massima attenzione alla sicurezza durante gli interventi di installazione, manutenzione periodica e controllo del prodotto.

Per l'installazione di questo prodotto è necessario disporre di sufficiente competenza, in particolare per determinare la solidità della parete e per decidere se è in grado di sostenere il peso del televisore. Affidare perciò il fissaggio a parete di questo prodotto a personale qualificato che dovrà garantire la massima sicurezza dell'installazione. Sony non potrà essere ritenuta responsabile per danni o lesioni causate da usi non appropriati del prodotto o da installazione non corretta.

Utilizzare la staffa di montaggio a parete SU-WL450 (non in dotazione) per installare il televisore alla parete.

Durante l'installazione della staffa di montaggio a parete, consultare anche le Istruzioni per l'uso e la Guida all'installazione in dotazione con la staffa di montaggio a parete.

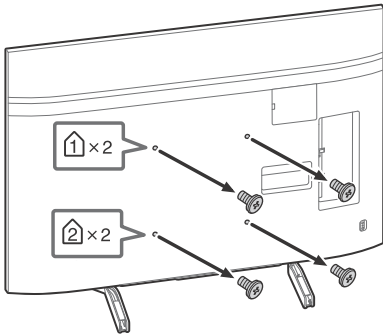
### Nota

- Conservare le viti rimosse al sicuro, fuori dalla portata dei bambini.



Per istruzioni sull'installazione della staffa di montaggio a parete, consultare le informazioni di installazione (staffa di montaggio a parete) sulla pagina del prodotto per il modello del televisore.  
[www.sony.eu/support/](http://www.sony.eu/support/)

**Rimuovere le viti dal retro del televisore.**

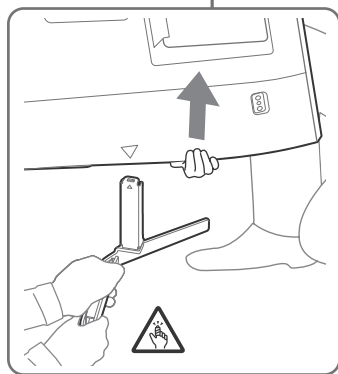
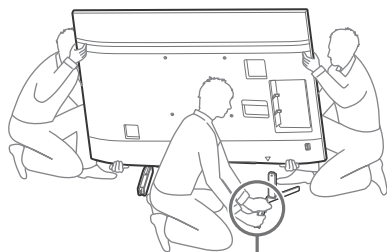




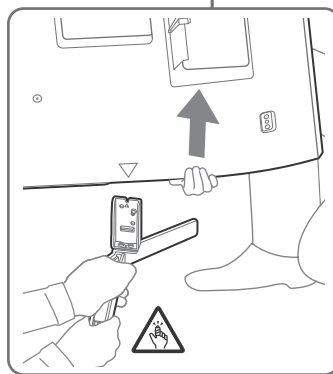
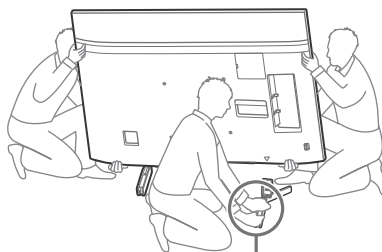
## Rimozione del supporto da tavolo dal televisore

- 1 Rimuovere un lato del supporto da tavolo alla volta. Tenere saldamente il supporto da tavolo con entrambe le mani mentre le altre persone sollevano il televisore.

KD-85XG85xx



KD-75/65/55XG87xx, KD-75/65/55XG85xx



- 2 Ripetere i passaggi precedenti e rimuovere l'altro lato del supporto da tavolo.

### Nota

- Per rimuovere il supporto da tavolo sono necessarie tre o più persone.
- Prestare attenzione a non esercitare eccessiva forza durante la rimozione del supporto da tavolo dal televisore poiché il televisore potrebbe cadere e causare lesioni o danni materiali al televisore.
- Prestare attenzione durante la manipolazione del supporto da tavolo per evitare danni al televisore.
- Fare attenzione quando si solleva il televisore mentre si stacca il supporto da tavolo, questo potrebbe rovesciarsi e causare lesioni personali.
- Fare attenzione quando si rimuove il supporto da tavolo dal televisore per evitare che cada e danneggi la superficie su cui si trova il televisore.

## Risoluzione dei problemi

Per risolvere problemi come: assenza di immagine, assenza di suono, immagine bloccata, nessuna reazione ai comandi, o problemi di connessione alla rete, provare ad eseguire le seguenti operazioni.

- 1 Riavviare il televisore premendo il tasto di accensione sul telecomando finché non viene visualizzato un messaggio. Il televisore si riavvia. Se il televisore non si ripristina, provare a scollegare il cavo di alimentazione. Quindi premere il tasto di accensione sul televisore e attendere per due minuti, ricollegare il cavo di alimentazione.
- 2 Consultare il menu Guida premendo il tasto **HELP** sul telecomando.
- 3 Connettere il televisore a Internet ed eseguire l'aggiornamento del software. Sony consiglia di mantenere aggiornato il software del televisore. Gli aggiornamenti software forniscono nuove funzioni e miglioramenti delle prestazioni.
- 4 Consultare il sito Web di assistenza Sony (le informazioni sono fornite nella copertina anteriore del presente manuale).

**Alla prima accensione, o dopo un periodo d'inattività, è possibile che il televisore non si accenda immediatamente anche se si preme il tasto di accensione sul telecomando oppure sul televisore.**

L'inizializzazione del sistema necessita di un po' di tempo. Attendere circa un minuto, quindi riprovare.

## Problemi e soluzioni

**Se l'indicatore LED lampeggia in rosso.**

- Contare il numero di lampeggi (l'intervallo è di tre secondi).

Riavviare il televisore scollegando il cavo di alimentazione fino a quando l'indicatore LED smette di lampeggiare in rosso, quindi accendere il televisore.

Se il problema persiste, scollegare il cavo di alimentazione e rivolgersi al rivenditore o al Centro Assistenza Sony comunicando il numero di volte in cui l'illuminazione dell'indicatore LED lampeggia.

**Non si ricevono i canali del digitale terrestre/TV via cavo.**

- Controllare i collegamenti dell'antenna/TV via cavo.
- Selezionare il servizio digitale terrestre/TV via cavo premendo il tasto **TV** sul telecomando, quindi selezionare [Digitale] se il servizio di trasmissione non viene visualizzato.
- Il segnale terrestre potrebbe essere soppresso se è presente un forte segnale nelle vicinanze. Impostare [LNA (Canale ---)] su [Disattivato] nelle impostazioni di sintonizzazione digitale.
- Dopo essersi trasferiti in una nuova casa o dopo aver cercato di ricevere nuovi servizi, tentare una ricerca del servizio selezionando [Ricerca automatica dei canali TV DTT].

**Impossibile ricevere il servizio satellitare.**

- Controllare il collegamento del cavo satellitare.
- Quando viene visualizzato il messaggio [Nessun segnale. Rilevato sovraccarico LNB...], scollegare il cavo di alimentazione. Quindi, assicurarsi che il cavo satellitare non sia danneggiato e che la linea del segnale satellitare non sia in corto circuito nel connettore satellitare.

**Il telecomando non funziona.**

- Sostituire le batterie.

**Il PIN di sblocco relativo alla protezione dei minori è stato dimenticato.**

- Digitare 9999 per il codice PIN e selezionare [Modifica codice PIN].

**Le aree in prossimità del televisore si riscaldano.**

- È normale che le aree attorno al TV si riscaldino dopo un uso prolungato. Toccandola con la mano, è perciò normale avvertire un calore intenso.

## Caratteristiche tecniche

### Sistema

Tipo di pannello

Pannello LCD (cristalli liquidi), Retroilluminazione a LED

Sistema TV

In base al paese/regione seleziona/al modello del televisore

Analogico: B/G, D/K, I

Digitale: DVB-T/DVB-C

DVB-T2\*1

Satellite\*\*1: DVB-S/DVB-S2

Sistema colore

PAL/SECAM/NTSC3.58 (Solo video)/NTSC4.43 (Solo video)

Gamma di sintonia

In base al paese/regione seleziona/al modello del televisore

Analogico: UHF/VHF/TV via cavo

Digitale: UHF/VHF/TV via cavo

Satellite\*1: Frequenza IF 950-2.150 MHz

Uscita audio

10 W + 10 W

## Tecnologia wireless

Protocollo IEEE802.11ac/a/b/g/n  
(IEEE802.11ac potrebbe non essere disponibile a seconda dei paesi/delle regioni.)  
Bluetooth Versione 4.2

## Bande di frequenza

LAN wireless (IEEE802.11ac/a/b/g/n)	
Gamma di frequenza	Potenza in uscita
2.400-2.483,5 MHz	< 20,0 dBm
5.150-5.250 MHz	< 23,0 dBm
5.250-5.350 MHz	< 20,0 dBm
5.470-5.725 MHz	< 20,0 dBm
5.725-5.850 MHz	< 13,9 dBm

Bluetooth	
Gamma di frequenza	Potenza in uscita
2.400-2.483,5 MHz	< 10,0 dBm

## RMF-TX600E/TX500E

Bluetooth	
Gamma di frequenza	Potenza in uscita
2.400-2.483,5 MHz	< 10,0 dBm

## Versione software

Questa apparecchiatura radio deve essere utilizzata con le versioni approvate del software indicate nella Dichiarazione di conformità UE.

Premere **HELP** sul telecomando per conoscere la versione software.

Selezionando: **...**

Selezionare [Telecomando] → [Versione software] da [Impostazioni]. Per ulteriori informazioni, consultare la Guida.

Il software caricato su questa apparecchiatura radio è stato verificato per essere conforme ai requisiti essenziali della Direttiva 2014/53/UE.

## Prese di ingresso/uscita

### Antenna/Tv via cavo

Terminale esterno 75 ohm per VHF/UHF

### Antenna satellitare<sup>1</sup>

Connettore di Tipo F Femmina, 75 ohm.

DiSEqC 1.0, LNB 13 V/18 V e tono a 22 kHz, Distribuzione via cavo singolo EN50494.

### COMPONENT IN

YPbPr (Video component): 1080p (50, 60 Hz), 1080i (50, 60 Hz), 720p (50, 60 Hz), 576p, 576i, 480p, 480i

Ingresso audio (connettori fono)

### AV IN

Ingresso video (presa fono - polo comune con ingresso Y)

HDMI IN 1/2/3/4 (supporta risoluzione 4K, Compatibile HDCP 2.3)

### Video:

4096 × 2160p (50, 60 Hz)<sup>2,3</sup>, 4096 × 2160p (24 Hz)<sup>2</sup>, 3840 × 2160p (50, 60 Hz)<sup>3</sup>, 3840 × 2160p (24, 25, 30 Hz), 1080p (30, 50, 60 Hz), 1080/24p, 1080i (50, 60 Hz), 720p (30, 50, 60 Hz), 720/24p, 576p, 480p, Formati PC<sup>4</sup>

### Audio:

In modalità eARC (Enhanced Audio Return Channel)<sup>5</sup>

Per i dettagli, consultare la Guida.

Eccetto modalità eARC

PCM lineare 5,1 canali: 32/44,1/48/88,2/96/176,4/192 kHz  
16/20/24 bit, Dolby Digital, Dolby Digital Plus, DTS

eARC/ARC (Enhanced Audio Return Channel/Audio Return Channel) (Solo HDMI IN 3)

In modalità eARC<sup>5</sup>

Per i dettagli, consultare la Guida.

In modalità ARC

PCM lineare due canali: 48 kHz 16 bit, Dolby Digital, Dolby Digital Plus, DTS

↻ DIGITAL AUDIO OUT (OPTICAL)

Presenza ottica digitale (PCM lineare due canali: 48 kHz 16 bit, Dolby Digital, DTS)

⌂ (Mini jack stereo)

Cuffie

⏪ 1, ⏩ 2, ⏸ 3 (HDD REC)<sup>6</sup>

Porta del dispositivo USB (dispositivo USB HDD  $\text{SS}^7$  per funzione REC)

Le porte USB 1 e 2 supportano USB High Speed (USB 2.0)

La porta USB 3 supporta USB Super Speed (USB 3.1 Gen 1)

📷

Alloggiamento CAM (modulo ad accesso condizionato)

🌐 LAN

Connettore 10BASE-T/100BASE-TX (La velocità di connessione può variare a seconda delle caratteristiche operative della rete. La velocità di comunicazione e la qualità non sono garantite.)

## Altri

Accessori opzionali

Staffa di montaggio a parete: SU-WL450

Temperatura di utilizzo

Da 0 °C a 40 °C

Umidità d'esercizio

Dal 10 % all'80 % di u. r. (in assenza di condensa)

## Potenza, caratteristiche prodotto e altro

Requisiti d'alimentazione

220 V - 240 V CA, 50 Hz

Classe di efficienza energetica

KD-85XG85xx: A

KD-75XG87xx / KD-75XG85xx: A+

KD-65XG87xx / KD-65XG85xx: A

KD-55XG87xx / KD-55XG85xx: A

Dimensioni schermo (diagonale) (circa)

KD-85XG85xx: 214,8 cm / 85 pollici

KD-75XG87xx / KD-75XG85xx: 189,3 cm / 75 pollici

KD-65XG87xx / KD-65XG85xx: 163,9 cm / 65 pollici

KD-55XG87xx / KD-55XG85xx: 138,8 cm / 55 pollici

Potenza assorbita

In modalità [Standard]

KD-85XG85xx: 216 W

KD-75XG87xx / KD-75XG85xx: 158 W

KD-65XG87xx / KD-65XG85xx: 127 W

KD-55XG87xx / KD-55XG85xx: 111 W

In modalità [Brillante]

KD-85XG8596: 362 W

KD-75XG8796: 275 W

KD-75XG8599: 275 W

KD-75XG8596: 275 W

KD-75XG8588: 275 W

KD-75XG8505: 275 W

KD-65XG8796: 221 W

KD-65XG8599: 221 W

KD-65XG8596: 221 W

KD-65XG8588: 221 W

KD-65XG8577: 221 W

KD-65XG8505: 221 W

KD-55XG8796: 186 W

KD-55XG8599: 186 W

KD-55XG8596: 186 W

KD-55XG8588: 186 W

KD-55XG8577: 186 W

KD-55XG8505: 186 W

Consumo energetico annuo<sup>7</sup>

KD-85XG85xx: 300 kWh all'anno

KD-75XG87xx / KD-75XG85xx: 219 kWh all'anno

KD-65XG87xx / KD-65XG85xx: 176 kWh all'anno

KD-55XG87xx / KD-55XG85xx: 154 kWh all'anno

Potenza assorbita in modalità standby<sup>8,9</sup>

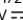
0,50 W (25 W durante la modalità di aggiornamento software o della Guida TV elettronica)

Risoluzione schermo

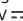
3.840 punti (orizzontale) × 2.160 linee (verticale)

Valori nominali uscita

USB 1/2

5 V  500 mA MAX

USB 3

5 V  900 mA MAX

## Dimensioni (circa) (l x a x p)

con piedistallo

KD-85XG85xx: 190,9 × 117,5 × 43,3 cm

KD-75XG87xx / KD-75XG85xx: 167,3 × 103,1 × 35,8 cm

KD-65XG87xx / KD-65XG85xx: 145,0 × 89,9 × 31,6 cm

KD-55XG87xx / KD-55XG85xx: 123,1 × 77,6 × 31,6 cm

senza supporto da tavolo

KD-85XG85xx: 190,9 × 109,7 × 8,0 cm

KD-75XG87xx / KD-75XG85xx: 167,3 × 96,3 × 5,4 cm

KD-65XG87xx / KD-65XG85xx: 145,0 × 83,6 × 5,2 cm

KD-55XG87xx / KD-55XG85xx: 123,1 × 71,3 × 5,2 cm

## Peso (circa)

con piedistallo

KD-85XG85xx: 49 kg

KD-75XG87xx / KD-75XG85xx: 39,3 kg

KD-65XG87xx / KD-65XG85xx: 26,3 kg

KD-55XG87xx / KD-55XG85xx: 19,7 kg

senza supporto da tavolo

KD-85XG85xx: 46,5 kg

KD-75XG87xx / KD-75XG85xx: 37,8 kg

KD-65XG87xx / KD-65XG85xx: 25,3 kg

KD-55XG87xx / KD-55XG85xx: 18,7 kg

- \*1 Non tutti i televisori dispongono di tecnologia DVB-T2 o DVB-S/52 o di terminale antenna satellitare.
- \*2 Se la risoluzione di ingresso è 4096 × 2160p e [Formato Immagine] è impostato su [Normale], la risoluzione viene impostata come 3840 × 2160p. Per visualizzare 4096 × 2160p, impostare [Formato Immagine] su [Intero 1] o [Intero 2].
- \*3 Per supportare 18 Gbps, impostare [Formato segnale HDMI] su [Formato avanzato].
- \*4 Per i dettagli, consultare la Guida.
- \*5 La modalità eARC è attiva quando [Modalità eARC] è impostata su [Auto], [Altoparlante] è impostato su [Sistema audio] e il sistema audio compatibile con eARC è connesso.
- \*6 Solo per alcune Regioni / Paesi / Modelli TV.
- \*7 Consumo energetico annuale in kWh, basato sulla potenza assorbita di un televisore che funzioni 4 ore al giorno per 365 giorni. Il consumo energetico effettivo dipenderà dal modo in cui verrà utilizzato il televisore.
- \*8 Il valore dell'assorbimento di potenza specificato in modalità standby viene raggiunto dopo alcuni minuti dallo spegnimento, cioè dopo che il televisore avrà terminato tutti i processi interni.
- \*9 Quando la TV è connessa alla rete Internet, la potenza assorbita in modalità standby aumenta.

## Nota


- Rimuovere la scheda fittizia o il coperchio (la disponibilità dipende dal modello del televisore) dell'alloggiamento CAM (modulo ad accesso condizionato) del televisore esclusivamente per inserire una smart card in CAM.
- La disponibilità degli accessori opzionali dipende dai paesi/dalle regioni/dai modelli di televisore/dalle scorte.
- Design e caratteristiche tecniche sono soggetti a modifiche senza preavviso.

## Note sul funzionamento della TV Digitale

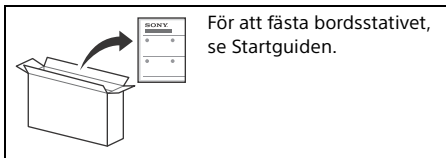
- La TV digitale (digitale terrestre, satellite e TV via cavo), i servizi interattivi e le funzioni di rete internet potrebbero non essere disponibili in tutti i Paesi o le regioni. Alcune funzioni potrebbero non essere abilitate o potrebbero non funzionare correttamente con alcuni fornitori di servizi o reti internet. Alcuni provider di servizi TV potrebbero applicare tariffe per i loro servizi.
- Questo televisore supporta trasmissione digitale con i codec MPEG-2, H.264/MPEG-4 AVC e H.265/HEVC, ma non si garantisce la compatibilità con tutti i segnali dell'operatore/del servizio, che potrebbero cambiare nel tempo.

## Informazioni sui marchi

- I termini HDMI e HDMI High-Definition Multimedia Interface e il logo HDMI sono marchi o marchi registrati di HDMI Licensing Administrator, Inc. negli Stati Uniti e in altri paesi.

- Dolby, Dolby Vision, Dolby Audio e il simbolo della doppia D sono marchi di Dolby Laboratories. Prodotto su licenza di Dolby Laboratories. Opere riservate non pubblicate. Copyright © 1992-2015 Dolby Laboratories. Tutti i diritti riservati.
- "BRAVIA", BRAVIA e BRAVIA Sync sono marchi di fabbrica o marchi di fabbrica registrati di Sony Corporation.
- Gracenote, il logo e il logotipo Gracenote, nonché il logo "Powered by Gracenote" sono marchi di fabbrica o marchi di fabbrica registrati di Gracenote, Inc. negli Stati Uniti e/o in altri paesi.
- Vewd® Core. Copyright 1995-2019 Vewd Software AS. All rights reserved.
- Google, Google Play, Chromecast, YouTube, Android TV e altri loghi e marche correlati sono marchi di Google LLC.
- Wi-Fi®, Wi-Fi Alliance® e Wi-Fi Direct® sono marchi registrati di Wi-Fi Alliance.
- Il logo Wi-Fi CERTIFIED™ è un marchio di certificazione di Wi-Fi Alliance.
- Per i brevetti DTS, consultare il sito <http://patents.dts.com>. Prodotto su licenza di DTS, Inc. DTS, il simbolo, & DTS e il simbolo insieme sono marchi di fabbrica registrati e DTS Digital Surround è un marchio di fabbrica di DTS, Inc. © DTS, Inc. Tutti i diritti riservati.
- Il marchio denominativo e i loghi Bluetooth® sono marchi registrati di proprietà di Bluetooth SIG, Inc. e sono utilizzati da Sony Corporation su licenza. Tutti gli altri marchi di fabbrica o nomi commerciali sono di proprietà delle rispettive aziende.
- Netflix è un marchio registrato di Netflix, Inc.
- DiSeqC™ è un marchio di fabbrica di EUTELSAT. Questo televisore supporta DiSeqC 1.0 ma non è progettato per il controllo di antenne motorizzate.
- TUXERA è un marchio di fabbrica registrato di Tuxera Inc. negli Stati Uniti e in altri Paesi.
- Il logo USB-IF SuperSpeed USB Trident è un marchio di fabbrica registrato di USB Implementers Forum, Inc. 
- Tutti gli altri marchi di fabbrica sono di proprietà delle rispettive aziende.





För att fästa bordsstativet, se Startguiden.

## Innehållsförteckning

VIKTIGT MEDDELANDE .....	2
Säkerhetsinformation .....	3
Fjärrkontroll och TV .....	5
Kopplingschema .....	6
Montera TV:n på väggen .....	8
Använda Väggfästet (tillval) .....	8
Ta bort bordsstativet från TV:n .....	9
Felsökning .....	10
Problem och lösningar .....	10
Specifikationer .....	10

### Internetanslutning och datasekretess

Denna produkt ansluter till internet under första inställningen så fort ett nätverk är anslutet för att bekräfta internetanslutning, och senare för att konfigurera Hemskärmen. Din IP-adress används i dessa och i alla andra internetanslutningar. Om du inte vill att din IP-adress används alls, ställ inte in den trådlösa internetfunktionen och anslut inte en internetkabel. Se informationen om sekretess som visas på inställningsskärmarna för mer information om internetanslutningar.

## Inledning

Tack för att du har valt denna produkt från Sony. Innan du använder TV:n bör du läsa igenom den här bruksanvisningen noga och spara den för framtida bruk.

### Obs!

- Innan du använder TV:n ska du läsa "Säkerhetsinformation" (sidan 3).
- Läs medföljande Säkerhetsinformation för ytterligare säkerhetsinformation.
- De bilder och illustrationer som används i Startguiden och i denna handbok är bara referenser och kan skilja sig från utseendet på den faktiska produkten.
- "xx" som visas i modellnamnet motsvarar en numerisk siffra som har med design, färg eller TV-system att göra.

## Hjälp

Hitta mer felsökning och annan användbar information direkt från din TV. Tryck på **HELP** på fjärrkontrollen för att visa en lista över ämnen, eller sök efter nyckelord.

## Hjälpguide (Manual)

För mer detaljerad information, välj [Hjälpguide] i Hjälpmenyn på din TV. Du kan även kolla Hjälpguiden från din PC eller smartphone (information finns på baksidan av denna manual).

## Identifieringsetikettens placering

Etiketter för modellnr, tillverkningsdatum (år/månad) och strömförsörjning finns på TV:ns eller förpackningens baksida.

## VIKTIGT MEDDELANDE

### Meddelande för radioutrustning



Härmed försäkras Sony Visual Products Inc. att denna typ av radioutrustning KD-85XG8596, KD-75XG8796, KD-75XG8599, KD-75XG8596, KD-75XG8588, KD-75XG8505, KD-65XG8796, KD-65XG8599, KD-65XG8596, KD-65XG8588, KD-65XG8577, KD-65XG8505, KD-55XG8796, KD-55XG8599, KD-55XG8596, KD-55XG8588, KD-55XG8577, KD-55XG8505 överensstämmer med direktiv 2014/53/EU. Den fullständiga texten till EU-försäkran om överensstämmelse finns på följande webbadress: <http://www.compliance.sony.de/>

Meddelande till kunder: följande information gäller endast för utrustning som sålts i länder där EU-direktiv gäller.

För denna radioutrustning tillämpas följande begränsningar för uppstart eller behörighetskrav för användning i AT, BE, HR, CY, CZ, DK, EE, FI, FR, DE, EL, HU, IE, IT, LV, LT, LU, MT, NL, PL, PT, SK, SI, ES, SE, UK, IS, LI, NO, CH, BG, RO, TR, AL, BA, MK, MD, RS, ME, Kosovo : 5 150 - 5 350 MHz-bandet är begränsat till inomhusanvändning endast.

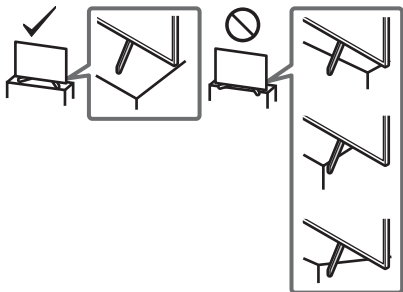
## Säkerhetsinformation

### Installation

Installera och använd TV:n enligt följande anvisningar för att undvika brandrisk, elektriska stötar eller skador på person eller egendom.

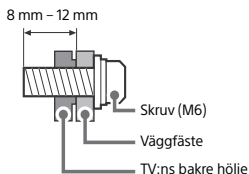
#### Installation

- TV:n bör placeras nära ett lätt åtkomligt eluttag.
- Placera TV-apparaten på en stabil, plan yta för att undvika att den faller ner och orsakar personskada eller egendomsskada.
- Placera TV:n på en plats där den inte kan dras, tryckas eller vältras omkull.
- Montera TV:n så att TV:ns bordsstativ inte skjuter ut från TV-bänken (medföljer ej). Om bordsstativet skjuter ut från TV-bänken, kan det hända att TV:n välter, faller i golvet och orsakar personskada eller skada på TV:n.

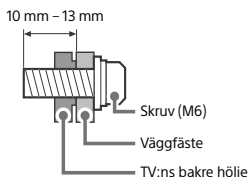


- Endast en behörig servicetekniker bör utföra vägginstallationer.
- Av säkerhetsskäl rekommenderar vi bestämt att du endast använder tillbehör från Sony, inklusive:
  - Väggfäste SU-WL450
- Använd de skruvar som levererades med Väggfästet när Väggfästet monteras på TV:n. De medföljande skruvarna är utformade enligt bilden mått från Väggfästets kontaktyta. Skruvarnas diameter och längd varierar beroende på Väggfästets modell. Användning av andra skruvar kan skada TV:n internt eller medföra att den faller ned.

#### KD-85XG85xx



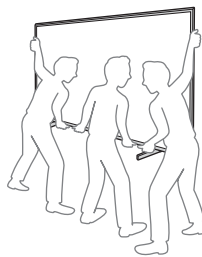
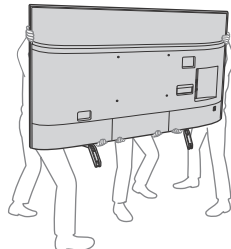
#### KD-75/65/55XG87xx, KD-75/65/55XG85xx



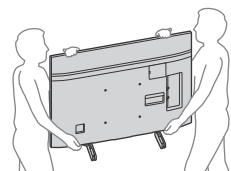
### Transport

- Lossa alla kablar från TV:n innan du transporterar den.
- Det krävs två eller fler personer (tre eller fler personer för KD-85XG85xx) för att bära en stor TV-apparat.
- När TV:n ska transporteras bör den hållas enligt nedan. Tryck inte på LCD-panelen eller ramen runt bildskärmen.
- När du lyfter eller flyttar TV:n ska du hålla den ordentligt i undersidan.

#### KD-85XG85xx



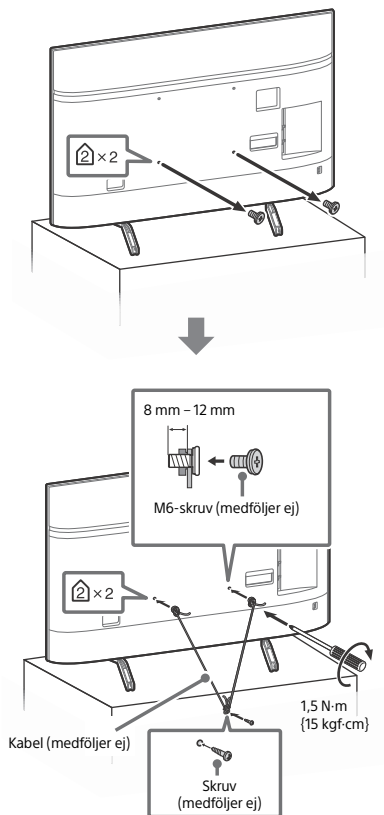
#### KD-75/65/55XG87xx, KD-75/65/55XG85xx



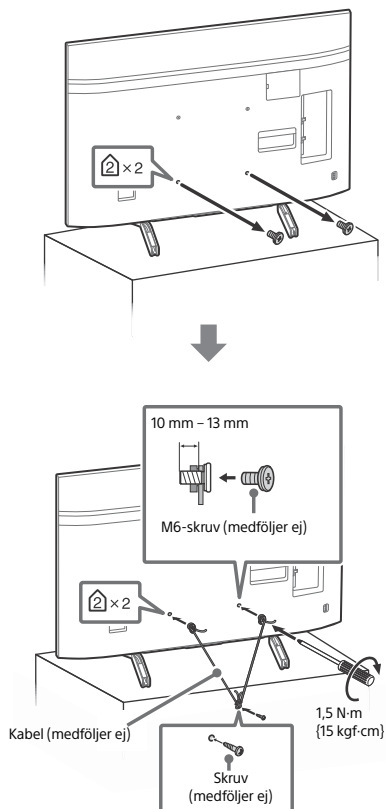
- Se till att TV:n inte utsätts för stötar eller kraftiga vibrationer när den transporteras.
- Du bör använda originalkartongen och dess emballage när du sänder in TV:n för reparation eller om du flyttar.

## Förebyggande av fall

KD-85XG85xx



KD-75/65/55XG87xx, KD-75/65/55XG85xx



## Varning!

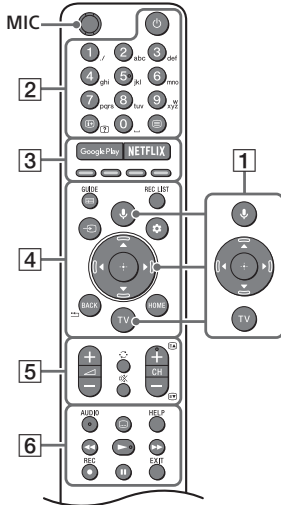
Utrustning som är kopplad till skyddsjord via jordat vägguttag och/eller via annan utrustning och samtidigt är kopplad till kabel-TV nät kan i vissa fall medföra risk för brand.

För att undvika detta skall vid anslutning av utrustningen till kabel-TV nät galvanisk isolator finnas mellan utrustningen och kabel-TV nätet.



# Fjärrkontroll och TV

Fjärrkontrollens form, plats, tillgänglighet och fjärrkontrollknapparnas funktioner kan variera beroende på region/land/TV-modell.



- 1** **🔊 (Mikrofon):** Använd röstsökning. (dvs. röststyrd sökning av innehåll.)\*<sup>1</sup>  
**▲/▼/◀/▶/⊕** **(Navigerings-D-Pad):** Menynavigering och -val på skärmen.  
**TV:** Växla till en TV-kanal eller ingång och visa TV-menyn.
- 2** **⏻ (TV-standby)**  
**Sifferknappar**  
**ℹ️/? (Visa info/text):** Visa information.  
**📄 (Text):** Visa textinformation.
- 3** **Google Play**  
**NETFLIX (Endast för begränsad region/land/TV-modell)**  
**Färgknappar**
- 4** **GUIDE/☰:** Visa den digitala programguiden, eller EPG för kabel/satellitbox\*<sup>2</sup>.  
**REC LIST:** Visa Rec-listan för USB HDD, eller DVR\*<sup>2</sup>.  
**↔️ (Ingångsväljare):** Visa och välj ingångskällan, osv.  
**⚙️ (Snabbinställningar):** Visa snabbinställningar.

**BACK/⏪**

**HOME**

- 5** **↔️ +/- (Volym)**

**🔄 (Hoppa)**

**🔇 (Ljudlöst)**

**Tips!**

- Tjänsten för åtkomlighetsgenvägen kan sättas på eller stängas av genom att du trycker och håller nere **🔇**.

**CH +/-/⏪/⏩**

I TV-läget: Välj kanal.

I textläget: Välj nästa (**⏪**) eller föregående (**⏩**) sida.

- 6** **AUDIO:** Välj ljud för flerspråkig källa eller dubbelt ljud (beroende på programkälla).

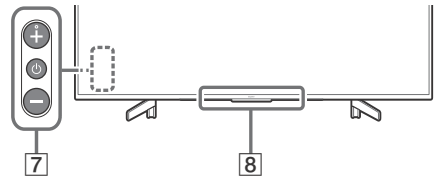
**⋮ (Inställning av textning)**

**HELP:** Visa Hjälpmenyn.

**⏪/▶/▶▶/||**

- REC:** Spela in det visade programmet på USB HDD, eller DVR\*<sup>2</sup>.

**EXIT**



- 7** **⏻ (Strömbrytare)**

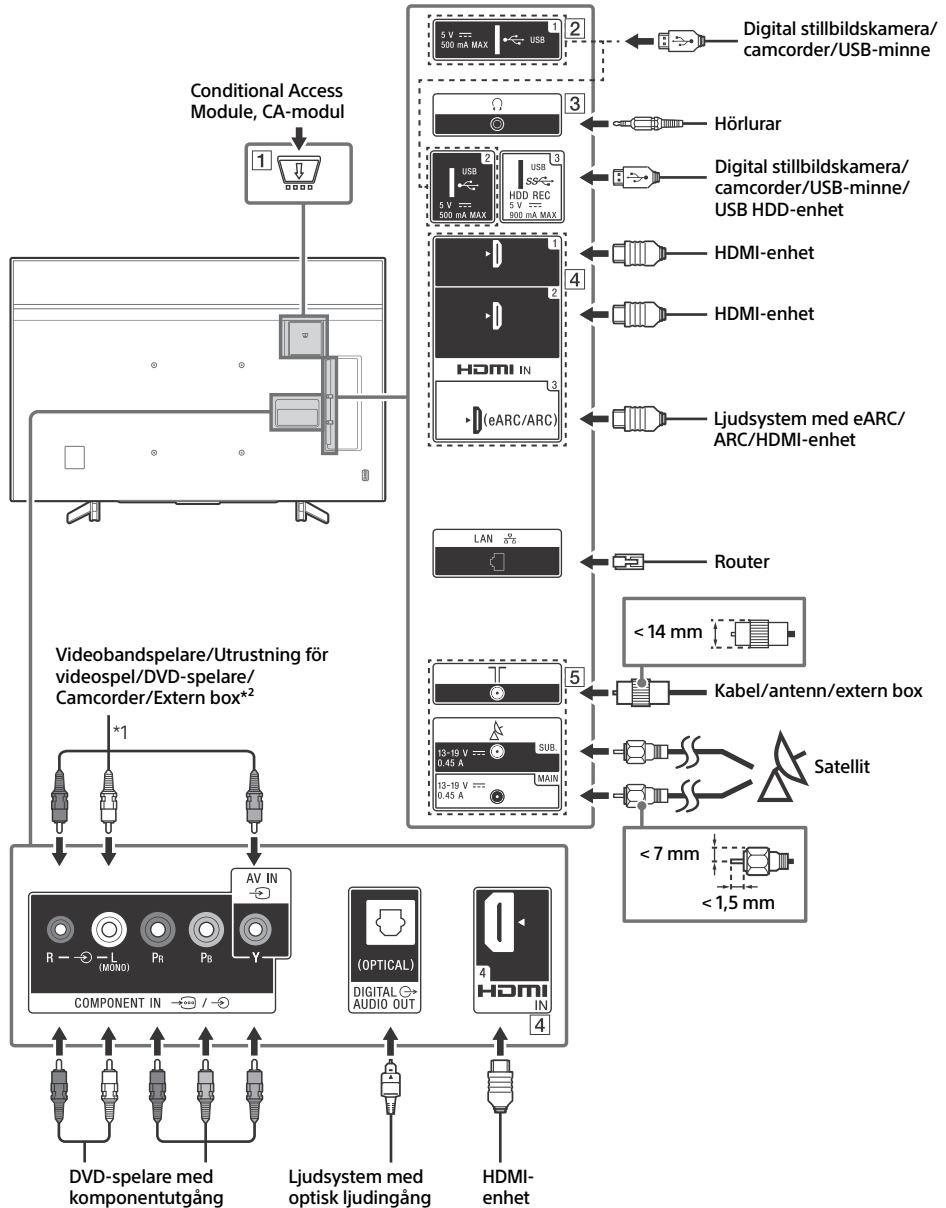
- 8** **Fjärrkontroll-sensor / Ljussensor / LED-belysning**

\*<sup>1</sup> Internetanslutning krävs för röstsökning.

\*<sup>2</sup> [Kabel/satellitbox-inställning]-inställning krävs (endast för begränsad region/land/TV-modell). Se Hjälpguiden för mer information.

# Kopplingschema

För mer information om anslutningar, se Hjälpguiden genom att trycka på **HELP** på fjärrkontrollen.



## 1 CAM (Conditional Access Module, CA-modul)

- Tillhandahåller åtkomst till betal-TV-tjänster. Mer information finns i bruksanvisningen som medföljer din CAM.
- Sätt inte in smartkortet direkt i TV:ns CAM-plats. Det måste placeras i CAM-modulen som tillhandahålls av din auktoriserade återförsäljare.
- CAM stöds inte i vissa länder/områden. Fråga din auktoriserade återförsäljare.
- Ett CAM-meddelande kan visas när du växlar till ett digitalt program efter att ha använt internetvideo.

## 2 USB 1/2, USB 3 (HDD REC)\*3

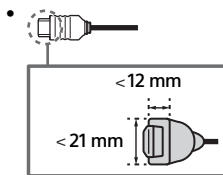
- Om du ansluter en stor USB-enhet kan den störa andra anslutna enheter i närheten.
- Om du ansluter en stor USB-enhet ska den anslutas till USB 1-uttaget.
- Anslut en USB HDD-enhet till USB 3-porten (blå).

## 3 (Hörlurar)

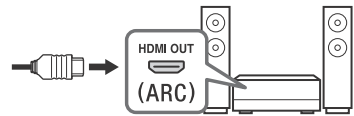
- Stöder endast 3-poligt stereominiuttag.
- Det går inte att mata ut ljud både från hörlurarna och TV:ns högtalare samtidigt.

## 4 HDMI IN 1/2/3/4

- HDMI-gränssnitt kan överföra digital video och digitalt ljud genom en enstaka kabel.



- För att se på högkvalitativt 4K 50p/60p-innehåll, anslut en Premium High Speed HDMI-kabel och ställ in [HDMI-signalformat] till [Förbättrat format].  
Gör denna inställning individuellt för varje ansluten HDMI IN-terminal. För mer detaljer om stödda format, se "Specifikationer" i denna handbok (sidan 10-12).
- **HDMI IN 3 eARC/ARC (Enhanced Audio Return Channel/Audio Return Channel)**  
Anslut ditt ljudsystem till HDMI IN 3 för att sända TV-ljud till ditt ljudsystem. Ett ljudsystem som stöder HDMI eARC/ARC kan sända video till TV:n, och ta emot ljud från TV:n via samma HDMI-kabel. Om ditt ljudsystem inte stöder HDMI eARC/ARC är en ytterligare anslutning med DIGITAL AUDIO OUT (OPTICAL) nödvändig.
- Använd HDMI-kabeln med Ethernet för att ansluta ljudsystem med eARC.



## 5 (RF-ingång), (Satellit)ingång)

- Anslutningar för marksändning/kabel och satellit. Anslutningssteg: SUB. → MAIN → Antenn
- Anslut endast till SUB.-uttaget om du använder läget för dubbel mottagning. Undantaget är distribution via enkel kabel EN50494.

\*1 Anslut till L (MONO)-ljuduttaget när du ansluter monoutrustning.

\*2 För en extern enhet som bara har SCART AV OUT, använd en SCART-RCA-adapter.

\*3 Endast för begränsad region/land/TV-modell.

# Montera TV:n på väggen

## Använda Väggfästet (tillval)

I bruksanvisningen för denna TV ges endast stegen för att förbereda TV:n för vägginstallation innan den installeras på väggen.

### Till kunden:

Sony rekommenderar starkt att du låter din Sony-återförsäljare eller en auktoriserad installatör installera TV:n, både av säkerhetsskäl och för att skydda produkten. Försök inte installera den själv.

### Till Sony-återförsäljare och installatörer:

Var ytterst noggrann med säkerheten vid installation, regelbundet underhåll och besiktning av denna produkt.

Experthjälp krävs för installation av denna produkt, speciellt för att avgöra väggens styrka att hålla TV:ns vikt. Var därför noga med att överlåta väggmontering av denna produkt till din Sony-återförsäljare eller en auktoriserad installatör, och var noggrann med säkerheten under installationen. Sony kan inte hållas ansvariga för någon form av egendomsskador eller personskador som beror på felaktig hantering eller felaktig installation.

Använd Väggfästet SU-WL450 (medföljer ej) för att installera TV:n på väggen.

Se också Bruksanvisningen och Installationsguiden som medföljer Väggfästet för montering av Väggfästet.

### Obs!

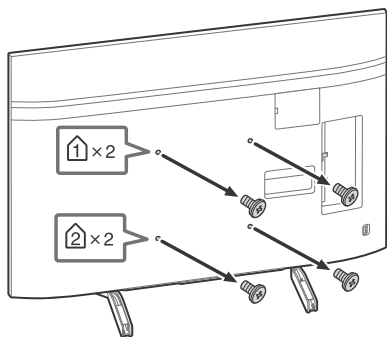
- Förvara alltid de borttagna skruvarna på en säker plats och håll dem borta från barn.



För instruktioner om installation av Väggfäste, se installationsinformationen (Väggfäste) på produktsidan för din TV-modell.

[www.sony.eu/support/](http://www.sony.eu/support/)

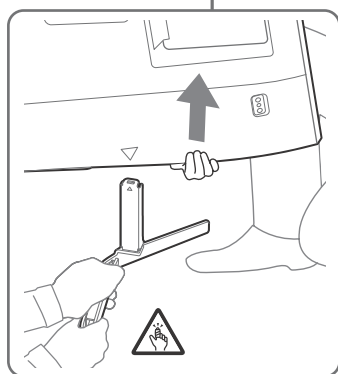
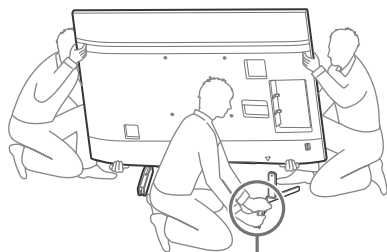
## Ta bort skruvarna från TV:ns baksida.



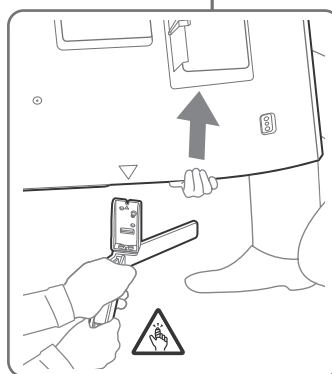
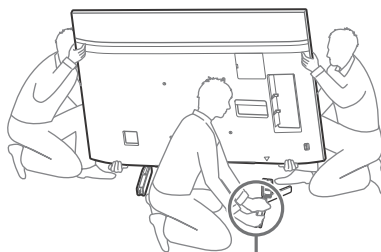
## Ta bort bordsstativet från TV:n

- 1 Avlägsna en sida av bordsstativet åt gången. Håll ett fast och säkert tag om bordsstativet med båda händerna medan de andra personerna lyfter upp TV:n.

KD-85XG85xx



KD-75/65/55XG87xx, KD-75/65/55XG85xx



- 2 Upprepa föregående steg och avlägsna den andra sidan av bordsstativet.

### Obs!

- Tre eller fler personer krävs för att ta loss bordsstativet.
- Var försiktig så att ni inte tar i med för hård kraft medan ni tar loss bordsstativet från TV:n eftersom det kan orsaka att TV:n faller och resultera i personskada eller fysisk skada på TV:n.
- Var försiktiga vid hantering av bordsstativet för att undvika skada på TV:n.
- Var försiktig när du lyfter TV:n när bordsstativet lossats, eftersom bordsstativet kan välta och orsaka personskador.
- Var försiktig när du tar bort bordsstativ från TV:n för att hindra den från att ramla och skada ytan som TV:n sitter på.

## Felsökning

För allmän felsökning för problem som: svart skärm, inget ljud, frusen bild, TV:n reagerar inte, eller nätverket är tappat, utför du följande steg.

- 1 Starta om TV:n genom att trycka på strömbrytarknappen på fjärrkontrollen tills ett meddelande visas. TV:n startar om. Om TV:n inte återställs, försök med att koppla ur strömladdan. Tryck sedan på strömknappen på TV:n och vänta i två minuter, och koppla i strömladdan.
- 2 Se Hjälpmenyn genom att trycka på **HELP** på fjärrkontrollen.
- 3 Anslut din TV till Internet och utför en programvaruuppdatering. Sony rekommenderar att du alltid håller programvaran till din TV uppdaterad. Programuppdateringar ger nya funktioner och prestandaförbättringar.
- 4 Gå in på Sonys supportwebbplats (information finns på framsidan av denna manual).

**När du ansluter TV:n till elnätet är det kanske inte möjligt att slå på TV:n under en viss tid, även om du trycker på strömbrytarknappen på fjärrkontrollen eller TV:n.**

Det tar tid att initiera systemet. Vänta cirka en minut och försök sedan igen.

## Problem och lösningar

### Om LED-belysningen blinkar röd.

- Räkna hur många gånger den blinkar (intervalltiden är tre sekunder). Starta om TV:n genom att koppla från strömladdan tills LED-belysningen slutar blinka i rött, och starta sedan TV:n. Om problemet kvarstår, koppla ur nätströmmen, och kontakta din återförsäljare eller Sonys servicecenter och ange hur många gånger LED-belysningen blinkar.

### Mark-/kabeltjänst kan inte tas emot.

- Kontrollera antenn/kabelanslutningen och förstärkningsinställningarna.
- Välj mark-/kabeltjänst genom att trycka på **TV** på fjärrkontrollen och sedan välja [Digital] om sändningstjänsten inte visas.
- Marksignalen kan vara försvagad om det finns en stark signal i närheten. Ställ in [LNA (CH ---)] till [Av] i digitala inställningar.

- Efter att du flyttat till ett nytt hus eller om du försöker ta emot nya tjänster, försök med en tjänstsökning genom att välja [Digital sökning].

### Satellitjänst kan inte tas emot.

- Kontrollera satellitkabelanslutningen.
- Om meddelandet [Ingen signal. LNB är överbelastad...] visas, koppla ur nätströmmen. Se sedan till så att inte satellitkabeln är skadad och att satellitsignalledningen inte är kortsluten i satellitkontakten.

### Fjärrkontrollen fungerar inte.

- Byt ut batterierna.

### Lösenordet till barnlåset för sändningar har glömts av.

- Ange 9999 för PIN-koden och välj [Ändra PIN-kod].

### Det blir varmt runt TV:n.

- När TV:n används under en längre tidsperiod blir det varmt runt TV:n. Du kan känna denna värme om du tar på panelen med handen.

## Specifikationer

### System

#### Skärmsystem

LCD-skärm (bildskärm med flytande kristaller),

LED-bakgrundsbelysning

#### TV-system

Beroende på val av land/område/TV-modell

Analog: B/G, D/K, I

Digital: DVB-T/DVB-C

DVB-T2\*1

Satellit\*1: DVB-S/DVB-S2

#### Färgsystem

PAL/SECAM/NTSC3.58 (Endast video)/NTSC4.43 (Endast video)

#### Kanaltäckning

Beroende på val av land/område/TV-modell

Analog: UHF/VHF/kabel

Digital: UHF/VHF/kabel

Satellit\*1: IF-frekvens 950-2 150 MHz

#### Ljudutgång

10 W + 10 W

#### Trådlös teknik

Protokoll IEEE802.11ac/a/b/g/n

(IEEE802.11ac kanske inte finns tillgängligt beroende på land/region.)

Bluetooth version 4.2

#### Frekvensband

Trådlöst LAN (IEEE802.11ac/a/b/g/n)	
Frekvensområde	Utgångseffekt
2 400-2 483,5 MHz	< 20,0 dBm
5 150-5 250 MHz	< 23,0 dBm
5 250-5 350 MHz	< 20,0 dBm
5 470-5 725 MHz	< 20,0 dBm
5 725-5 850 MHz	< 13,9 dBm

Bluetooth	
Frekvensområde	Utgångseffekt
2 400-2 483,5 MHz	< 10,0 dBm

RFM-TX600E/TX500E

Bluetooth	
Frekvensområde	Utgångseffekt
2 400-2 483,5 MHz	< 10,0 dBm

#### Programversion

Radioutrustningen är ämnad att användas med de godkända programvaruversionerna som står i EU-försäkran om överensstämmelse.

Tryck på **HELP** på fjärrkontrollen för att få reda på programvaruversionen.

Fjärrkontroll:

Välj [Fjärrkontroll] → [Programversion] från [Inställningar]. Se Hjälpguiden för mer information.

Programvaran som finns laddad på denna radioutrustning överensstämmer med de nödvändiga kraven i direktiv 2014/53/EU, vilket har verifierats.

### Uttag för ingångar/utgångar

#### Antenn/kabel

75 ohms externt uttag för VHF/UHF

#### Satellitantenn<sup>\*1</sup>

Honkontakt av F-Typ, 75 ohm.

DISEq 1.0, LNB 13 V/18 V & 22 kHz-ton, Distribution via enkel kabel-TV EN50494.

←COMPONENT IN

YPbPr (komponentvideo): 1080p (50, 60 Hz), 1080i (50, 60 Hz), 720p (50, 60 Hz), 576p, 576i, 480p, 480i

Ljudingång (phonokontakter)

→ AV IN

Videoingång (vanlig phonokontakt med Y-ingång)

HDMI IN 1/2/3/4 (stöd för 4K-upplösning, HDCP

2.3-kompatibel)

Video:

4096 × 2160p (50, 60 Hz)<sup>\*2,3</sup>, 4096 × 2160p (24 Hz)<sup>\*2</sup>, 3840 × 2160p (50, 60 Hz)<sup>\*3</sup>, 3840 × 2160p (24, 25, 30 Hz), 1080p (30, 50, 60 Hz), 1080/24p, 1080i (50, 60 Hz), 720p (30, 50, 60 Hz), 720/24p, 576p, 480p, PC-format<sup>\*4</sup>

Ljud:

1 eARC (Enhanced Audio Return Channel)-läge<sup>\*5</sup>

Se Hjälpguiden för mer detaljer.

Förutom eARC-läge

5,1-kanals linjär PCM: 32/44,1/48/88,2/96/176,4/192 kHz  
16/20/24-bitars, Dolby Digital, Dolby Digital Plus, DTS

eARC/ARC (Enhanced Audio Return Channel/Audio Return Channel) (HDMI IN 3 endast)

1 eARC-läge<sup>\*5</sup>

Se Hjälpguiden för mer detaljer.

1 ARC-läge

Tvåkanalig linjär PCM: 48 kHz 16-bitars, Dolby Digital, Dolby Digital Plus, DTS

→ DIGITAL AUDIO OUT (OPTICAL)

Digitalt optiskt kontakt (tvåkanalig linjär PCM: 48 kHz 16-bitars, Dolby Digital, DTS)

⊖ (Stereominiuttag)

Hörlurar

← 1, ← 2, ← 3 (HDD REC)<sup>\*6</sup>

USB-enhetsport (SS ← 3 USB HDD-enhet för REC-funktion)

USB-port 1 och 2 har stöd för High Speed USB (USB 2.0)

USB-port 3 har stöd för Super Speed USB (USB 3.1 Gen 1)



CAM-plats (CA-modul)

LAN

10BASE-T/100BASE-TX-kontakt (Beroende på nätverkets funktionsmiljö, kan anslutningshastigheten avvika. Kommunikationshastighet och -kvalitet garanteras inte.)

### Övrigt

Valfritt tillbehör

Väggfäste: SU-WL450

Användningstemperatur

0 °C – 40 °C

Luftfuktighet vid användning

10 % – 80 % relativ luftfuktighet (icke-kondenserande)

### Ström, informationsblad och annat

Strömförsörjning

220 V – 240 V växelström (AC), 50 Hz

Energieffektivitetsklass

KD-85XG85xx: A

KD-75XG87xx / KD-75XG85xx: A+

KD-65XG87xx / KD-65XG85xx: A

KD-55XG87xx / KD-55XG85xx: A

Skärmstorlek (diagonal uppmått) (Ca.)

KD-85XG85xx: 214,8 cm / 85 tum

KD-75XG87xx / KD-75XG85xx: 189,3 cm / 75 tum

KD-65XG87xx / KD-65XG85xx: 163,9 cm / 65 tum

KD-55XG87xx / KD-55XG85xx: 138,8 cm / 55 tum

Energiförbrukning

1 [Standard]-läge

KD-85XG85xx: 216 W

KD-75XG87xx / KD-75XG85xx: 158 W

KD-65XG87xx / KD-65XG85xx: 127 W

KD-55XG87xx / KD-55XG85xx: 111 W

1 [Dagsljus]-läge

KD-85XG8596: 362 W

KD-75XG8796: 275 W

KD-75XG8599: 275 W

KD-75XG8596: 275 W

KD-75XG8588: 275 W

KD-75XG8505: 275 W

KD-65XG8796: 221 W

KD-65XG8599: 221 W

KD-65XG8596: 221 W

KD-65XG8588: 221 W

KD-65XG8577: 221 W

KD-65XG8505: 221 W

KD-55XG8796: 186 W

KD-55XG8599: 186 W

KD-55XG8596: 186 W

KD-55XG8588: 186 W

KD-55XG8577: 186 W

KD-55XG8505: 186 W

Årlig energiförbrukning<sup>\*7</sup>

KD-85XG85xx: 300 kWh per år

KD-75XG87xx / KD-75XG85xx: 219 kWh per år

KD-65XG87xx / KD-65XG85xx: 176 kWh per år

KD-55XG87xx / KD-55XG85xx: 154 kWh per år

Energiförbrukning i standbyläge<sup>\*8,9</sup>

0,50 W (25 W i programvaruuppdateringsläge/

EPG-uppdateringsläge)

Bildupplösning

3 840 punkter (horisontell) × 2 160 linjer (vertikal)

Utteffekt

USB 1/2

max. 5 V →, 500 mA

USB 3

max. 5 V →, 900 mA

### Mått (Ca.) (b × h × d)

med bordsstativ

KD-85XG85xx: 190,9 × 117,5 × 43,3 cm

KD-75XG87xx / KD-75XG85xx: 167,3 × 103,1 × 35,8 cm

KD-65XG87xx / KD-65XG85xx: 145,0 × 89,9 × 31,6 cm

KD-55XG87xx / KD-55XG85xx: 123,1 × 77,6 × 31,6 cm

utan bordsstativ

KD-85XG85xx: 190,9 × 109,7 × 8,0 cm

KD-75XG87xx / KD-75XG85xx: 167,3 × 96,3 × 5,4 cm

KD-65XG87xx / KD-65XG85xx: 145,0 × 83,6 × 5,2 cm

KD-55XG87xx / KD-55XG85xx: 123,1 × 71,3 × 5,2 cm

### Vikt (Ca.)

med bordsstativ

KD-85XG85xx: 49 kg

KD-75XG87xx / KD-75XG85xx: 39,3 kg

KD-65XG87xx / KD-65XG85xx: 26,3 kg

KD-55XG87xx / KD-55XG85xx: 19,7 kg

## utan bordsstativ

KD-85XG85xx: 46,5 kg  
KD-75XG87xx / KD-75XG85xx: 37,8 kg  
KD-65XG87xx / KD-65XG85xx: 25,3 kg  
KD-55XG87xx / KD-55XG85xx: 18,7 kg

- \*1 Vissa TV-apparater har ingen DVB-T2- eller DVB-S/ S2-teknologi eller inget uttag för satellitantenn.
- \*2 Om 4096 x 2160p matas in och [Bredbildsläge] är inställt till [Normal], visas upplösningen som 3840 x 2160p. För att visa 4096 x 2160p, ställ in inställningen [Bredbildsläge] till [Full 1] eller [Full 2].
- \*3 För att stödja 18 Gbps, ställ in [HDMI-signalformat] till [Förbättrat format].
- \*4 Se Hjälpguiden för mer detaljer.
- \*5 eARC-läget är aktivt när [eARC-läge] är inställt på [Auto], [Högtalare] är inställt på [Ljudanläggning] och eARC-kompatibelt ljudsystem är anslutet.
- \*6 Endast för begränsad region/land/TV-modell.
- \*7 Energiförbrukning i kWh per år, baseras på TV:ns strömförbrukning under 4 timmar per dag i 365 dagar. Den verkliga energiförbrukningen varierar beroende på hur TV-apparaten används.
- \*8 Specificerad standby-effekt uppnås när TV:n har avslutat nödvändiga interna processer.
- \*9 Effektförbrukningen i standbyläge ökar när din TV är ansluten till nätverket.

## Obs!


- Ta inte bort det tillfälliga kortet eller skyddet (tillgänglighet beror på TV-modell) för platsen för TV CAM (CA-modul) annat än för att sätta i ett smartkort som passar i CAM.
- Tillgången på valfria tillbehör beror på land/region/TV-modell/lager.
- Design och specifikationer kan ändras utan förvarning.

## Anmärkningar om digital TV

- Digital-TV (DVB-T, satellit och kabel), interaktiva tjänster och nätverksfunktioner kanske inte är tillgängliga i alla länder eller områden. Vissa funktioner kanske inte är aktiverade eller kanske inte fungerar korrekt med vissa leverantörer och nätverksmiljöer. Vissa TV-tjänstleverantörer kan ta en avgift för sina tjänster.
- Denna TV stöder digitalsändning med användning av MPEG-2-, H.264/MPEG-4 AVC- och H.265/HEVC-codecs, men kompatibilitet med alla operatörs-/tjänstsignaler, vilka kan variera med tiden, kan inte garanteras.

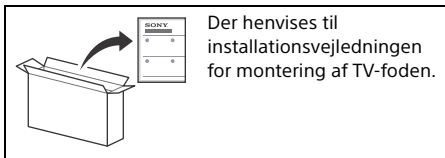
## Information om varumärken

- Benämningarna HDMI och HDMI High-Definition Multimedia Interface och HDMI- logotypen är varumärken eller registrerade varumärken som tillhör HDMI Licensing Administrator, Inc. i USA och andra länder.
- Dolby, Dolby Vision, Dolby Audio och den dubbla D-symbolen är varumärken som tillhör Dolby Laboratories. Tillverkad på licens från Dolby Laboratories. Sekretessbelagda, icke publicerade arbeten. Copyright © 1992-2015 Dolby Laboratories. Med ensamrätt.
- "BRAVIA", BRAVIA och BRAVIA Sync är varumärken eller registrerade varumärken som tillhör Sony Corporation.
- Gracenote, Gracenote-logon och -logotypen, och "Powered by Gracenote"-logon är antingen registrerade varumärken eller varumärken som tillhör Gracenote, Inc. i USA och/eller andra länder.
- Vewd® Core. Copyright 1995-2019 Vewd Software AS. All rights reserved.
- Google, Google Play, Chromecast, YouTube, Android TV och andra relaterade märken och logos är varumärken som tillhör Google LLC.
- Wi-Fi®, Wi-Fi Alliance® och Wi-Fi Direct® är registrerade varumärken som tillhör Wi-Fi Alliance.
- Wi-Fi CERTIFIED™ -logon är ett certifikationsmärke som tillhör Wi-Fi Alliance.
- För DTS-patent se <http://patents.dts.com>. Tillverkad under licens från DTS, Inc. DTS, symbolen & DTS och symbolen tillsammans är registrerade varumärken och DTS Digital Surround är ett varumärke som tillhör DTS, Inc. © DTS, Inc. Med ensamrätt.

- Bluetooth® ordmärket och -logotypen ägs av Bluetooth SIG, Inc. och all användning av sådana märken av Sony Corporation sker under licens. Övriga varumärken och varunamn tillhör deras respektive ägare.
- Netflix är ett registrerat varumärke som tillhör Netflix, Inc.
- DiSEqC™ är ett varumärke som tillhör EUTELSAT. Denna TV stödjer DiSEqC 1.0. Denna TV bör inte användas för att manövrera motorstyrda antenner.
- TUXERA är ett registrerat varumärke som tillhör Tuxera Inc. i USA och andra länder.
- USB-IF SuperSpeed USB treuddslogotyp är ett registrerat varumärke som tillhör USB Implementers Forum, Inc. 
- Alla andra varumärken tillhör sina respektive ägare.







Der henvises til installationsvejledningen for montering af TV-foden.

## Indholdsfortegnelse

VIGTIG BESKED	2
Sikkerhedsoplysninger	3
Fjernbetjening og TV	5
Tilslutningsdiagram	6
Vægmontering af TV'et	8
Anvendelse af det valgfrie Beslag til vægmontering	8
Afmontning af TV-foden fra TV'et	9
Fejlfinding	10
Problemer og løsninger	10
Specifikationer	10

### Internetforbindelse og Data-fortrolighedspolitik

Dette produkt opretter forbindelse til internettet under den første opsætning, så snart et netværk er forbundet, med henblik på at bekræfte internetforbindelsen, og senere for at konfigurere startskærmen. Din IP-adresse bruges i disse og alle andre internetforbindelser. Hvis du ikke ønsker din IP-adresse overhovedet bliver brugt, så opsæt ikke den trådløse internetfunktionen, og tilslut ikke et internetkabel. Der henvises til oplysningerne privatlivsinformationerne, der er præsenteret i opsætningsskærmen, for yderligere oplysninger om internetforbindelser.

## Inledning

Tak fordi du valgte dette Sony-produkt.

Før TV-apparatet betjenes, læses denne vejledning grundigt og beholdes til senere oplag.

### Bemærk

- Før du benytter TV'et, bedes du læse "Sikkerhedsoplysninger" (side 3).
- Læs den medfølgende vejledning for yderligere sikkerhedsoplysninger.
- Billeder og illustrationer i Installationsvejledningen og denne vejledning er udelukkende til referencebrug og kan afvige fra det faktiske produkt.
- Det viste "xx" i modelnavnet er et numerisk tal, der henviser til design, farve eller TV-system.

### Hjælp

Find mere om fejlfinding og anden nyttig information direkte på dit TV. Tryk på **HELP** på fjernbetjeningen for at få vist en liste med emner eller for at søge med nøgleord.

### Hjælpevejledning (Manual)

For mere detaljeret information vælg [Hjælpevejledning] fra Hjælpemenuen på dit TV. Du kan også se Hjælpevejledningen i din pc eller smartphone (information vist på bagest på manualens omslag).

## Placering af identifikationsmærkat

Mærkatet med oplysninger om modelnummer, produktionsdato (år/måned) og strømforbrug findes på bagsiden af TV'et eller på emballagen.

## VIGTIG BESKED

### Bemærkning til radioudstyr

Hermed erklærer Sony Visual Products

Inc., at radioudstyrstyperne

KD-85XG8596, KD-75XG8796,

KD-75XG8596, KD-75XG8588, KD-75XG8505,

KD-65XG8796, KD-65XG8599, KD-65XG8596, KD-65XG8588,

KD-65XG8577, KD-65XG8505, KD-55XG8796, KD-55XG8599,

KD-55XG8596, KD-55XG8588, KD-55XG8577, KD-55XG8505 er i

overensstemmelse med direktiv 2014/53/EU.

EU-overensstemmelseserklæringens fulde tekst kan findes på

følgende internetadresse: <http://www.compliance.sony.de/>

Bemærkning til kunder: følgende informationer gælder kun for

udstyr, som sælges i lande, hvor EU-direktiverne gælder.

For dette radioudstyr gælder følgende restriktioner for at sætte

det i drift eller tage det ud af drift, samt krav til autorisation til

brug gældende i AT, BE, HR, CY, CZ, BE, EE, FI, FR, DE, EL, HU, IE, IT,

LV, LT, LU, MT, NL, PL, PT, SK, SI, ES, SE, UK, IS, LI, NO, CH, BG, RO,

TR, AL, BA, MK, MD, RS, ME, Kosovo :

Frekvensbåndet 5.150 - 5.350 MHz er begrænset til kun at måtte

bruges indendørs.



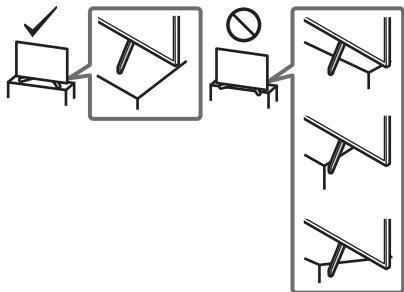
## Sikkerhedsoplysninger

### Installation/Opsætning

Installer og brug TV'et i overensstemmelse med nedenstående vejledning for at undgå brand, elektrisk stød eller skader på personer og materiel.

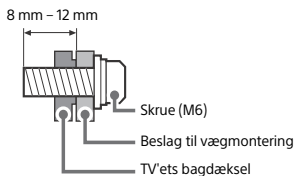
#### Installation

- TV'et skal sættes op ved en let tilgængelig stikkontakt.
- Anbring TV-apparatet på en stabil, plan overflade, så det ikke vælter, og forårsager personskade eller skader på ejendom.
- Placer TV'et et sted, hvor der ikke kan trækkes i det, hvor det ikke skubbes eller væltes.
- Placer TV'et, så TV-foden ikke stikker frem fra TV-bordet (medfølger ikke). Hvis TV-foden stikker frem fra TV-bordet, kan TV'et vælte, falde ned og medføre personskade eller beskedige TV'et.

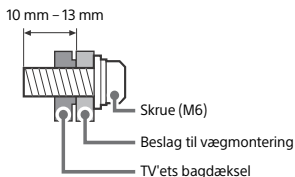


- Kun en autoriseret installatør må udføre væginstallationer.
- Af sikkerhedsmæssige grunde anbefales det at anvende Sony-tilbehør, herunder:
  - Beslag til vægmontering SU-WL450
- Sørg for at bruge de skruer, der følger med Beslaget til vægmontering ved montering af Beslaget til vægmontering på TV'et. De medfølgende skruer er designet som vist på illustrationen, når der måles fra fastgørelsesoverfladen til Beslaget til vægmontering. Skruernes diameter og længde afhænger af Beslaget til vægmontering. Hvis der anvendes andre skruer end de medfølgende, kan det medføre indvendige skader på TV-apparatet eller få det til at falde ned eller lignende.

#### KD-85XG85xx



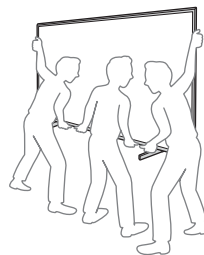
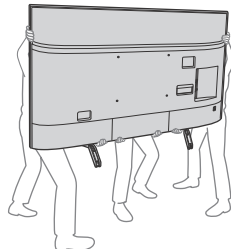
#### KD-75/65/55XG87xx, KD-75/65/55XG85xx



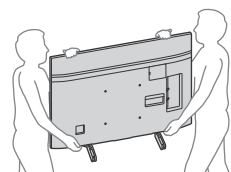
### Transport

- Før transport af TV'et tages alle kabler ud.
- Der er behov for to eller flere personer (tre eller flere for KD-85XG85xx) for at transportere et stort TV-apparat.
- Når TV'et flyttes med hånden, skal det holdes som vist nedenfor. Belast ikke LCD-skærmen og rammen omkring skærmen.
- Ved løft eller flytning af TV-apparatet, hold det fast fra bunden.

#### KD-85XG85xx



#### KD-75/65/55XG87xx, KD-75/65/55XG85xx

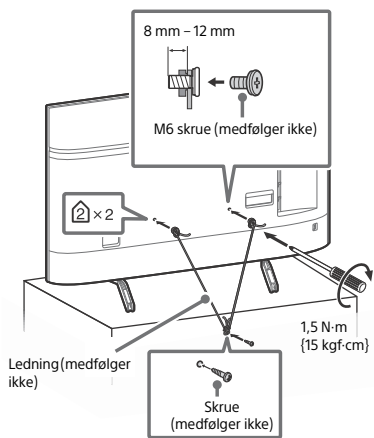
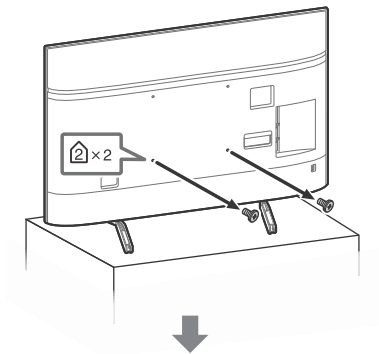


- TV'et må ikke udsættes for fysiske stød eller kraftige vibrationer under transport.
- TV'et skal pakkes ind i originalemballagen og sættes ned i originalkassen, når det skal til reparation eller blot flyttes.

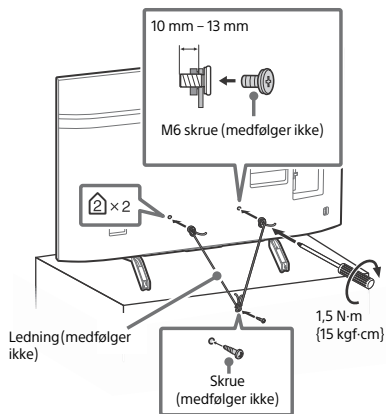
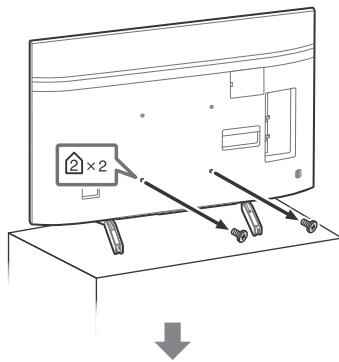
DK

# Vælteforebyggelse

KD-85XG85xx

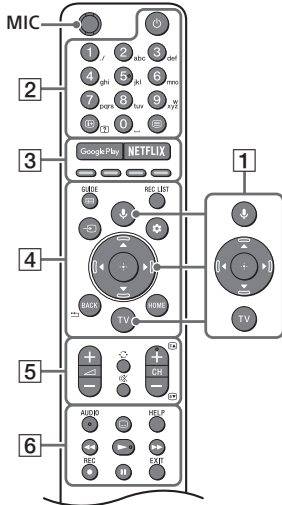


KD-75/65/55XG87xx, KD-75/65/55XG85xx



# Fjernbetjening og TV

Fjernbetjeningens form, placering, tilgængelighed og funktion kan variere afhængigt af region/land/TV-model.



1 **⏻ (Mikrofon):** Brug stemmesøgning. (f.eks. søg på forskelligt indhold via tale.)<sup>\*1</sup>

**▲/▼/◀/▶/⊕ (Navigering D-Pad):** Skærmmenu-navigering og valg.

**TV:** Skift til en TV-kanal eller input og få vist TV-menuen.

2 **⏻ (TV-standby)**

**Talknapper**

**ⓘ/? (Informationer/Vis skjult tekst):** Vis information.

**☰ (Tekst-TV):** Viser tekstinformationer.

3 **Google Play**  
**NETFLIX (Kun ved begrænset region/land/TV-model)**  
**Farveknapper**

4 **GUIDE/☰:** Vis den digitale programguide eller EPG for kabel/satellitboks<sup>\*2</sup>.

**REC LIST:** Vis Rec-listen for USB HDD eller DVR<sup>\*2</sup>.

**→ (Indgangsvælger):** Vis og vælg indgangskilden, etc.

**⚙ (Hurtige indstillinger):** Vis hurtige indstillinger.

**BACK/⏪**

**HOME**

5 **↔ +/- (Lydstyrke)**

**🔄 (Spring)**

**🔇 (Lydløs)**

**Tip**

- Genvejstjenesten til adgangsforhold kan slås til eller fra ved at trykke og holde på 🔇.

**CH +/-/⏪/⏩**

I TV-tilstand: Vælg kanalen.

I teksttilstand: Vælg næste (⏪) eller forrige (⏩) side.

6 **AUDIO:** Vælg lyden fra flersproget kilde eller dual-lyd (afhængig af programkilde).

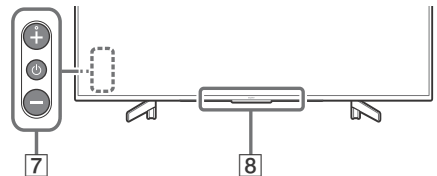
**☰ (Undertekst-indstilling)**

**HELP:** Vis menuen Hjælp.

**⏪/▶/▶▶/||**

**● REC:** Optag det program der ses nu på USB HDD eller DVR<sup>\*2</sup>.

**EXIT**



7 **⏻ (Power)**

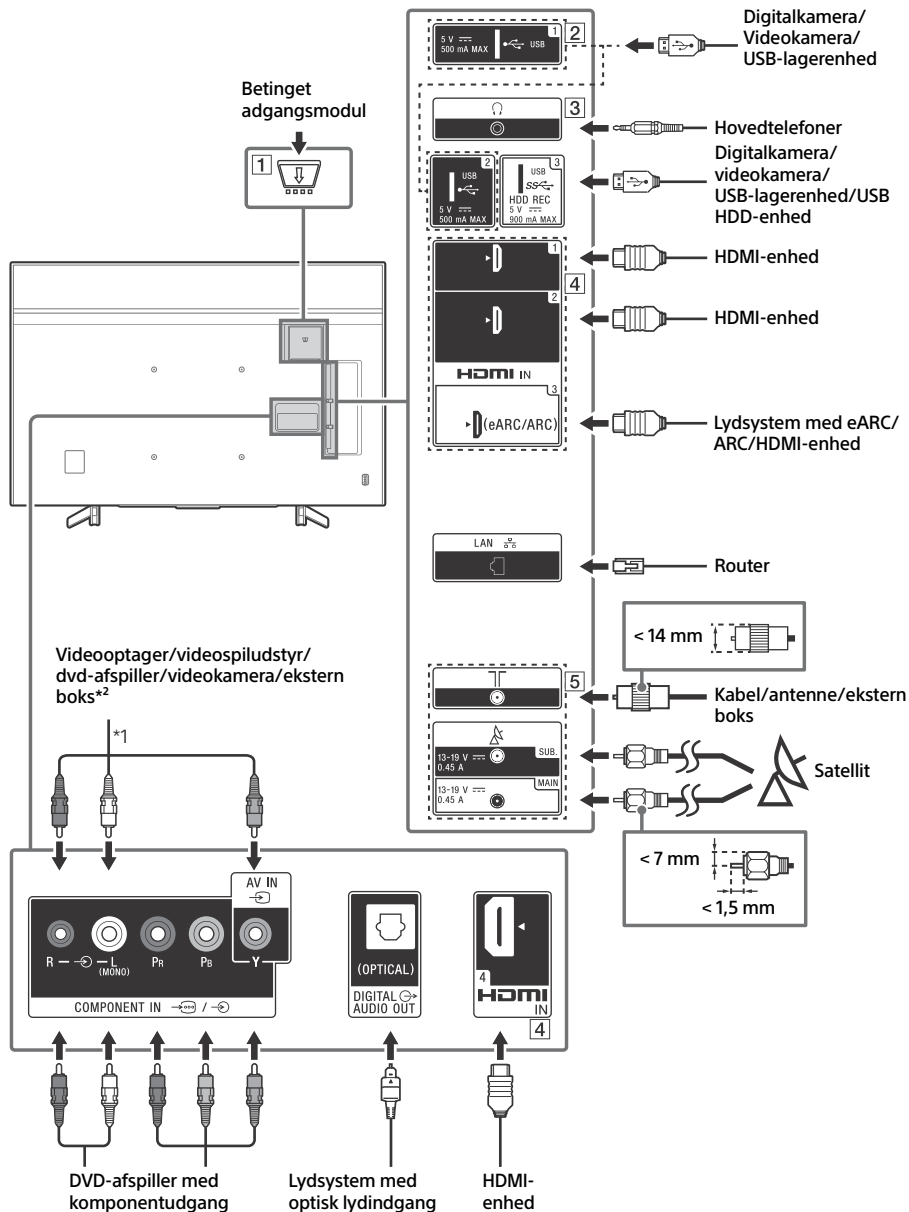
8 **Fjernbetjeningens sensor / Lyssensor / Belysnings-LED**

<sup>\*1</sup> Stemmesøgning kræver forbindelse til internettet.

<sup>\*2</sup> Indstillingen [Opsætning af kabel-/satellitboks] kræves (kun for begrænsede regioner/lande/TV-modeller). For yderligere oplysninger, se din Hjælpevejledning.

# Tilslutningsdiagram

For mere information om forbindelser, se i Hjælpevejledningen ved at trykke **HELP** på fjernbetjeningen.



## 1 CAM (Conditional Access Module)

- Giver adgang til betalings-TV-tjenester. For detaljer henvises til betjeningsvejledningen, som fulgte med CAM-modulet.
- Du må ikke sætte et smart-kort direkte i TV'ets CAM-slot. Det skal altid først sættes i et CAM-modul fra en autoriseret forhandler.
- CAM understøttes ikke i nogle lande/områder. Spørg din autoriserede forhandler.
- En CAM-meddelelse vises muligvis, når du skifter til et digitalt program, efter at du har brugt Internet Video.

## 2 USB 1/2, USB 3 (HDD REC)\*3

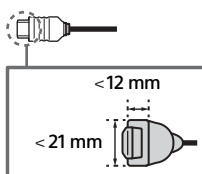
- Tilslutning af en stor USB-enhed kan forstyrre andre tilsluttede enheder ved siden af den.
- En stor USB-enhed tilsluttes USB 1-stikket.
- Tilslut en USB HDD-enhed til USB 3-porten (blå).

## 3 (Hovedtelefoner)

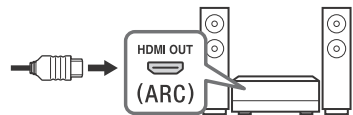
- Understøtter kun 3-polet stereo minijack-stik.
- Du kan ikke udsende lyd via både hovedtelefoner og TV-højtalere samtidigt.

## 4 HDMI IN 1/2/3/4

- HDMI-interfacet kan overføre både video og lyd via et enkelt kabel.



- For at få glæde af højkvalitetsindholdet 4K 50p/60p, tilslut et Premium High Speed HDMI-kabel, og indstil [HDMI-signalformat] til [Forbedret format]. Foretag denne indstilling individuelt for hver tilsluttet HDMI IN-terminal. For detaljer om understøttede formater henvises til "Specifikationer" i denne manual (side 10-12).
- **HDMI IN 3 eARC/ARC (Enhanced Audio Return Channel/Audio Return Channel)**  
Tilslut dit lydssystem til HDMI IN 3 for at overføre TV-lyd til dit lydssystem. Et lydssystem, der understøtter HDMI eARC/ARC, kan sende video til TV'et og modtage lyd fra TV'et via det samme HDMI-kabel. Hvis dit lydssystem ikke understøtter HDMI eARC/ARC, er det nødvendigt med en ekstra forbindelse med DIGITAL AUDIO OUT (OPTICAL).
- Brug HDMI-kablet med Ethernet til at tilslutte lydssystemet til eARC.



## 5 (RF-indgang), (Satellitindgang)

- Tilslutninger for terrestrisk/kabel og satellit. Trin for tilslutning: SUB. → MAIN → Antenne
- Ved SUB.-stik, skal du kun tilslutte, når du bruger dobbelt tunertilstand bortset fra enkeltkabeldistribution EN50494.

\*1 Ved tilslutning af monoudstyr tilsluttes til L (MONO)-lydstikket.

\*2 Brug en SCART-RCA-adapter til en ekstern enhed, som kun har SCART AV OUT.

\*3 Kun ved begrænset region/land/TV-model.

# Vægmontering af TV'et

## Anvendelse af det valgfrie Beslag til vægmontering

TV'ets betjeningsvejledning viser kun trinnene til klargøring af TV'et for vægmonteringen, før det er installeret på væggen.

### Til kunderne:

Af hensyn til produktets og den generelle sikkerhed anbefaler Sony på det kraftigste, at monteringen af TV'et udføres af en Sony-forhandler eller en autoriseret installatør. Forsøg ikke at montere det selv.

### Til Sony-forhandlere og installatører:

Vær opmærksom på sikkerheden under montering, vedligeholdelse og eftersyn af produktet.

Monteringen af dette produkt kræver tilstrækkelig ekspertise. Dette er især vigtigt, når du skal finde ud af, om væggen kan bære TV'ets vægt. Monteringen af dette produkt skal udføres af en Sony-forhandler eller autoriseret installatør under hensyntagen til sikkerheden. Sony er ikke ansvarlig for beskadigelse eller personskade, der opstår som følge af forkert håndtering eller forkert montering.

Brug Beslaget til vægmontering SU-WL450 (medfølger ikke) til installation af TV'et på væggen. Når du fastgør dit beslag til vægmontering, skal du læse den Betjeningsvejledning og det Monteringsark, der fulgte med dit beslag til vægmontering.

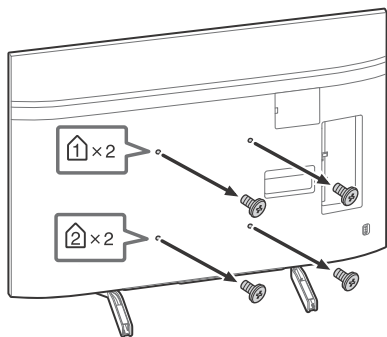
### Bemærk

- Opbevar de fjernede skruer et sikkert sted – utilgængeligt for børn.



For vejledning til installation af Beslag til vægmontering, se installationsvejledningen (Beslag til vægmontering) på din TV-models produktside.  
[www.sony.eu/support/](http://www.sony.eu/support/)

### Fjern skruer fra bagsiden af TV'et.

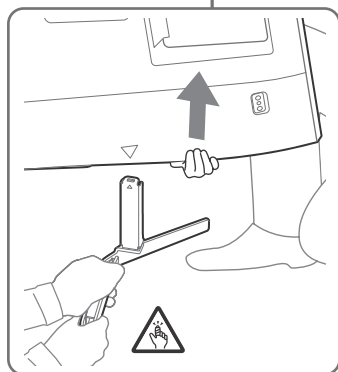
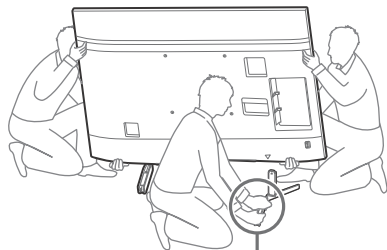




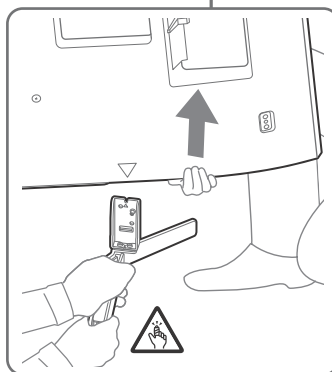
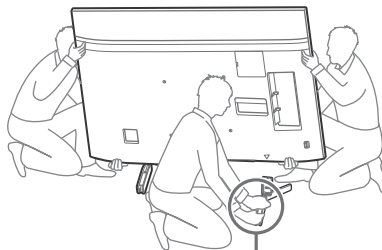
## Afmontering af TV-foden fra TV'et

- 1 Fjern én side af TV-foden af gangen. Hold godt fast på TV-foden med begge hænder, mens de andre personer løfter TV'et op.

KD-85XG85xx



KD-75/65/55XG87xx, KD-75/65/55XG85xx



- 2 Gentag foregående trin og fjern den anden side af TV-foden.

### Bemærk

- Der kræves tre eller flere personer til at afmontere TV-foden.
- Vær forsigtig og brug ikke unødigt kraft ved afmontering af TV-foden fra TV'et da det kan forårsage at TV'et falder, hvilket kan resultere i tilskadekomst af personer eller fysisk skade på TV'et.
- Vær forsigtig ved håndtering af TV-foden for at undgå at beskadige TV'et.
- Vær forsigtig når du løfter TV'et, når TV-foden er afmonteret, da TV-foden kan vælte og forårsage personskade.
- Vær forsigtig, når du fjerner TV-foden fra TV'et for at forhindre, at det vælter og beskadiger overfladen, som TV'et er placeret på.

DK

## Fejlfinding

Ved generel fejlfinding for emner som: sort skærm, ingen lyd, frosset billede, TV'et reagerer ikke, eller netværk afbrydes, gøres følgende.

- 1 Genstart dit TV ved at trykke på afbryderen på fjernbetjeningen, indtil der vises en meddelelse. TV'et vil genstarte. Hvis TV'et ikke gendannes, prøv at tage netledningen ud. Tryk derefter på afbryderen på TV'et og vent i to minutter, tilslut derefter netledningen.
- 2 Se i Hjælpevejledningen ved at trykke **HELP** på fjernbetjeningen.
- 3 Tilslut dit TV til internettet, og udfør en softwareopdatering. Sony anbefaler, at du holder TV'ets software opdateret. Softwareopdateringer indeholder nye funktioner og ydelsesforbedringer.
- 4 Besøg Sonys supporthjemmeside (oplysninger er vist forrest på manualens omslag).

**Når du sætter TV'ets stik i, kan der gå et stykke tid, før TV'et kan tændes, selvom du trykker på afbryderen på fjernbetjeningen eller på TV'et.**

Det tager tid at initialisere systemet. Vent omkring et minut, og prøv igen.

### Problemer og løsninger

**Når belynings-LED'en blinker rødt.**

- Tæl hvor mange gange den blinker (interval tid er tre sekunder).  
Genstart TV'et ved at frakoble netledningen indtil belynings-LED'en stopper med at blinke rødt, tænd derefter for TV'et.  
Hvis problemet ikke forsvinder, skal du tage stikket ud af stikkontakten, og kontakte din forhandler eller Sony servicecenter, med det antal gange belynings-LED'en blinker.

**Jordbunden/kabel-service kan ikke modtages.**

- Kontroller antennen/kabelforbindelsen og booster-indstillinger.
- Vælg terrestrisk/kabel-tjeneste ved at trykke på **TV** på fjernbetjeningen og vælg derefter [Digital], hvis sendetjenesten ikke vises.
- Jordbundet signal kan undertrykkes, hvis der er et stærkt signal udsendt i nærheden. Indstil [LNA (kanal ---)] til [Fra] i digitale tuningindstillinger.

- Efter flytning til et nyt hus eller forsøg på at modtage nye tjenester, forsøg en tjeneste-søgning ved at vælge [Digital programindstilling].

**Satellit-service kan ikke modtages.**

- Kontroller satellit-kabelforbindelsen.
- Når [Intet signal. LNB-overbelastning...] meddelelsen vises, skal du tage stikket ud af stikkontakten. Sørg så for, at satellitkablet ikke er beskadiget, og satellitsignal-linjen ikke er kortslettet i satellit-stikket.

**Fjernbetjeningen virker ikke.**

- Udskift batterierne.

**Børnesikringen til sendesystem-adgangskoden er blevet glemt.**

- Indtast 9999 for PIN-koden, og vælg [Skift PIN-kode].

**TV'ets omgivelser bliver varme.**

- Når TV'et bruges i en længere periode, bliver TV'ets omgivelser varme. Du kan mærke, at det er varmt ved at berøre det med hånden.

## Specifikationer

### System

- Panelsystem  
LCD-panel (flydende krystal), LED-baggrundslys
- TV-system  
Afhænger af land/områdevalg/TV-model  
Analog: B/G, D/K, I  
Digital: DVB-T/DVB-C  
DVB-T2\*1  
Satellit\*1: DVB-S/DVB-S2
- Farvesystem  
PAL/SECAM/NTSC3.58 (kun video)/NTSC4.43 (kun video)
- Kanaldækning  
Afhænger af land/områdevalg/TV-model  
Analog: UHF/VHF/kabel  
Digital: UHF/VHF/kabel  
Satellit\*1: IF-frekvens 950-2.150 MHz
- Lydeffekt  
10 W + 10 W
- Trådløs teknologi  
Protokol IEEE802.11ac/a/b/g/n  
(IEEE802.11ac er ikke tilgængelig i alle lande/områder).  
Bluetooth Version 4.2
- Frekvensbånd

Trådløst LAN (IEEE802.11ac/a/b/g/n)	
Frekvensområde	Udgangseffekt
2.400-2.483,5 MHz	< 20,0 dBm
5.150-5.250 MHz	< 23,0 dBm
5.250-5.350 MHz	< 20,0 dBm
5.470-5.725 MHz	< 20,0 dBm
5.725-5.850 MHz	< 13,9 dBm

Bluetooth	
Frekvensområde	Udgangseffekt
2.400-2.483,5 MHz	< 10,0 dBm

RMF-TX600E/TX500E

Bluetooth	
Frekvensområde	Udgangseffekt
2.400-2.483,5 MHz	< 10,0 dBm

#### Softwareversion

Dette radioudstyr er beregnet til brug sammen med godkendt(e) version(er) af software, der er angivet i EU-overensstemmelseserklæringen.

Tryk på **HELP** på fjernbetjeningen for at se softwareversionen.

Fjernbetjening: 

Vælg [Fjernbetjening] → [Softwareversion] fra [Indstillinger].

For yderligere oplysninger, se din Hjælpevejledning.

Softwareen, der er indlæst i dette radioudstyr, er dokumenteret at være i overensstemmelse med de væsentligste krav i direktivet 2014/53/EU.

## Indgangs-/Udgangsstik

#### Antennekabel

75 ohm, eksternt stik til VHF/UHF

#### Satellitantenne<sup>1</sup>

Hunstik af F-type stik, 75 ohm.

DiSEqC 1.0, LNB 13 V/18 V & 22 kHz-tone,

Enkeltkabeldistribution EN50494.

#### COMPONENT IN

YPbPr (komponentvideo): 1080p (50, 60 Hz), 1080i (50, 60 Hz),

720p (50, 60 Hz), 576p, 576i, 480p, 480i

Lydingang (phono-jackstik)

#### AV IN

Videoindgang (almindeligt phonostik med Y-indgang)

HDMI IN 1/2/3/4 (understøtter 4K-opløsning, HDCP

2.3-kompatibel)

Video:

4096 × 2160p (50, 60 Hz)<sup>2,3</sup>, 4096 × 2160p (24 Hz)<sup>2</sup>, 3840 × 2160p (50, 60 Hz)<sup>2,3</sup>, 3840 × 2160p (24, 25, 30 Hz), 1080p (30, 50, 60 Hz), 1080/24p, 1080i (50, 60 Hz), 720p (30, 50, 60 Hz), 720/24p, 576p, 480p, Pc-formater<sup>4</sup>

Lyd:

1 eARC (Enhanced Audio Return Channel)-tilstand<sup>5</sup>

Se Hjælpevejledningen for detaljer.

Bortset fra eARC-tilstand

5,1-kanals lineær PCM: 32/44,1/48/88,2/96/176,4/192 kHz

16/20/24 bit, Dolby Digital, Dolby Digital Plus, DTS

eARC/ARC (Enhanced Audio Return Channel/Audio Return Channel) (kun HDMI IN 3)

1 eARC-tilstand<sup>5</sup>

Se Hjælpevejledningen for detaljer.

1 ARC-tilstand

To-kanals lineær PCM: 48 kHz 16 bit, Dolby Digital, Dolby

Digital Plus, DTS

#### DIGITAL AUDIO OUT (OPTICAL)

Digitalt optisk stik (to-kanals lineær PCM: 48 kHz 16 bit, Dolby Digital, DTS)

#### (Stereo-minijack)

Hovedtelefoner

#### 1, 2, 3 (HDD REC)<sup>6</sup>

USB-port (SS) 3 USB HDD-enhed for REC-funktion)

USB-port 1 og 2 understøtter High Speed USB (USB 2.0)

USB-port 3 understøtter Super Speed USB (USB 3.1 Gen 1)

#### CAM

CAM (Conditional Access Module)-holder

#### LAN

10BASE-T/100BASE-TX-stik (Forbindelseshastigheden kan variere, afhængigt af netværksmiljøet. Der garanteres ikke for kommunikationshastighed og -kvalitet.)

## Andre

#### Ekstraudstyr

Beslag til vægmontering: SU-WL450

Driftstemperatur

0 °C til 40 °C

Driftsfugtighed

10 % til 80 % RH (ikke-kondenserende)

## Strøm, dataløb og andet

#### Strømkraft

220 V – 240 V AC, 50 Hz

#### Lavenergiklasse

KD-85XG85xx: A

KD-75XG87xx / KD-75XG85xx: A+

KD-65XG87xx / KD-65XG85xx: A

KD-55XG87xx / KD-55XG85xx: A

#### Skærmstørrelse (målt diagonalt) (Ca.)

KD-85XG85xx: 214,8 cm / 85 tommer

KD-75XG87xx / KD-75XG85xx: 189,3 cm / 75 tommer

KD-65XG87xx / KD-65XG85xx: 163,9 cm / 65 tommer

KD-55XG87xx / KD-55XG85xx: 138,8 cm / 55 tommer

#### Strømforsbrug

1 [Standard]-tilstand

KD-85XG85xx: 216 W

KD-75XG87xx / KD-75XG85xx: 158 W

KD-65XG87xx / KD-65XG85xx: 127 W

KD-55XG87xx / KD-55XG85xx: 111 W

1 [Kraftig]-tilstand

KD-85XG8596: 362 W

KD-75XG8796: 275 W

KD-75XG8599: 275 W

KD-75XG8596: 275 W

KD-75XG8588: 275 W

KD-75XG8505: 275 W

KD-65XG8796: 221 W

KD-65XG8599: 221 W

KD-65XG8596: 221 W

KD-65XG8588: 221 W

KD-65XG8577: 221 W

KD-65XG8505: 221 W

KD-55XG8796: 186 W

KD-55XG8599: 186 W

KD-55XG8596: 186 W

KD-55XG8588: 186 W

KD-55XG8577: 186 W

KD-55XG8505: 186 W

#### Årligt energiforbrug<sup>7</sup>

KD-85XG85xx: 300 kWh pr. år

KD-75XG87xx / KD-75XG85xx: 219 kWh pr. år

KD-65XG87xx / KD-65XG85xx: 176 kWh pr. år

KD-55XG87xx / KD-55XG85xx: 154 kWh pr. år

#### Strømforsbrug i standby<sup>8,9</sup>

0,50 W (25 W i software-/EPG-opdateringstilstand)

#### Skærmopløsning


3.840 punkter (vandret) × 2.160 linjer (lodret)

#### Udgangseffekt

USB 1/2

5 V , 500 mA MAKS

USB 3

5 V , 900 mA MAKS

## Mål (Ca.) (b × h × d)

Inkl. TV-fod

KD-85XG85xx: 190,9 × 117,5 × 43,3 cm

KD-75XG87xx / KD-75XG85xx: 167,3 × 103,1 × 35,8 cm

KD-65XG87xx / KD-65XG85xx: 145,0 × 89,9 × 31,6 cm

KD-55XG87xx / KD-55XG85xx: 123,1 × 77,6 × 31,6 cm

Uden TV-fod

KD-85XG85xx: 190,9 × 109,7 × 8,0 cm

KD-75XG87xx / KD-75XG85xx: 167,3 × 96,3 × 5,4 cm

KD-65XG87xx / KD-65XG85xx: 145,0 × 83,6 × 5,2 cm

KD-55XG87xx / KD-55XG85xx: 123,1 × 71,3 × 5,2 cm

## Vægt (Ca.)

Inkl. TV-fod

KD-85XG85xx: 49 kg

KD-75XG87xx / KD-75XG85xx: 39,3 kg

KD-65XG87xx / KD-65XG85xx: 26,3 kg

KD-55XG87xx / KD-55XG85xx: 19,7 kg

DK

## Uden TV-fod

KD-85XG85xx: 46,5 kg  
KD-75XG87xx / KD-75XG85xx: 37,8 kg  
KD-65XG87xx / KD-65XG85xx: 25,3 kg  
KD-55XG87xx / KD-55XG85xx: 18,7 kg

- \*1 Ikke alle TV-sæt har DVB-T2 eller DVB-S/S2-teknologi eller satellitantenneterminal.
- \*2 Når 4096 × 2160p er input og [Bredformatstilstand] er sat til [Normal], vises opløsningen som 3840 × 2160p. For at vise 4096 × 2160p, sæt indstillingen [Bredformatstilstand] til [Fuld 1] eller [Fuld 2].
- \*3 For at understøtte 18 Gbps, indstil [HDMI-signalformat] til [Forbedret format].
- \*4 Se Hjælpevejledningen for detaljer.
- \*5 eARC-tilstand er aktiv, når [eARC-tilstand] er indstillet til [Auto], [Højttaler] er indstillet til [Lydsystem], og et eARC-kompatibelt lydssystem er tilsluttet.
- \*6 Kun ved begrænset region/land/TV-model.
- \*7 Energiforbrug i kWh pr. år er baseret på TV'ets strømforbrug ved brug i 4 timer om dagen, 365 dage om året. Det egentlige energiforbrug afhænger af, hvordan TV'et bruges.
- \*8 Den angivne standbyeffekt nås, når TV'et har afsluttet nødvendige interne processer.
- \*9 Strømforbruget i standby øges, når TV'et er tilsluttet netværket.

## Bemærk


- Fjern ikke dummy-kortet eller dækslet (tilgængelighed afhænger af TV-model) over indgangen til TV CAM (Conditional Access Module) med mindre, der skal indsættes et chipkort i CAM et.
- Tilgængeligheden af ekstraudstyr afhænger af land/område/TV-model/lager.
- Design og specifikationer kan ændres uden varsel.

## Bemærkninger om digital TV-funktion

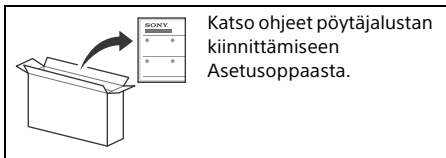
- Digitale TV (DVB terrestrisk, satellit og kabel), interaktive tjenester og netværksfunktioner er muligvis ikke tilgængelige i alle lande eller områder. Nogle funktioner er muligvis ikke aktiveret eller fungerer måske ikke korrekt hos nogle leverandører og netværksmiljøer. Nogle TV-udbydere kan opkræve et gebyr for deres ydelser.
- Dette TV understøtter digital udsendelse ved hjælp af MPEG-2, H.264/MPEG-4 AVC og H.265/HEVC codec, men kompatibilitet med alle operatør/service-signaler, som kan ændre sig over tid, kan ikke garanteres.

## Oplysninger om varemærker

- Ordene HDMI og HDMI High-Definition Multimedia Interface og HDMI-logoet er varemærker eller registrerede varemærker tilhørende HDMI Licensing Administrator, Inc. i USA og andre lande.
- Dolby, Dolby Vision, Dolby Audio og det dobbelte D-symbol er varemærker tilhørende Dolby Laboratories. Fremstillet under licens fra Dolby Laboratories. Fortrolige og ikke offentliggjorte arbejder. Copyright © 1992-2015 Dolby Laboratories. Alle rettigheder forbeholdes.
- "BRAVIA", BRAVIA og BRAVIA Sync er varemærker eller registrerede mærker tilhørende Sony Corporation.
- Gracenote, Gracenote logoet og logotype, logoet "Powered by Gracenote" er enten registrerede varemærker eller varemærker tilhørende Gracenote, Inc. i USA og/eller andre lande.
- Vewd® Core. Copyright 1995-2019 Vewd Software AS. All rights reserved.
- Google, Google Play, Chromecast, YouTube, Android TV og andre relaterede mærker og logoer er varemærker tilhørende Google LLC.
- Wi-Fi®, Wi-Fi Alliance®, Wi-Fi Direct® er registrerede varemærker tilhørende Wi-Fi Alliance.
- Logoet Wi-Fi CERTIFIED™ er et certificeringsmærke tilhørende Wi-Fi Alliance.
- For DTS-patenter henvises til <http://patents.dts.com>. Fremstillet under licens fra DTS, Inc. DTS, Symbol, & DTS og Symbol er sammen registrerede varemærker og DTS Digital Surround er et varemærke tilhørende DTS, Inc. © DTS, Inc. Alle rettigheder forbeholdes.
- Bluetooth® ordmærket og logoer er registrerede varemærker ejet af Bluetooth SIG, Inc., og enhver anvendelse af sådanne mærker anvendes af Sony Corporation under licens. Andre varemærker og handelsnavne tilhører deres respektive ejere.

- Netflix er et registreret varemærke tilhørende Netflix, Inc.
- DiSEqC™ er et varemærke tilhørende EUTELSAT. Dette TV understøtter DiSEqC 1.0. Dette TV er ikke beregnet til at styre motoriserede antenner.
- TUXERA er et registreret varemærke tilhørende Tuxera Inc. i USA og andre lande.
- USB-IF SuperSpeed USB Trident-logoet er et registreret varemærke tilhørende USB Implementers Forum, Inc. 
- Alle andre varemærker er tilhørende deres respektive ejere.





## Sisällysluettelo

TÄRKEÄ HUOMAUTUS.....	2
Turvallisuusohjeet.....	3
Kaukosäädin ja TV .....	5
Liitäntäkaavio .....	6
Television asennus seinälle.....	8
Lisävarusteena saatavan	
Seinäasennuskiinnittimen käyttäminen.....	8
Irrota pöytäjalusta TV:stä.....	9
Vianmääritys.....	10
Ongelmat ja ratkaisut.....	10
Tekniset tiedot .....	10

### Internet-yhteys ja tietosuojia

Tämä tuote yhdistyy Internetiin, Internet-yhteyden varmistamiseksi, alkuasennuksen aikana heti, kun verkko on kytketty ja myöhemmin Kotivalikon määrittämiseksi. IP-osoitettasi käytetään tässä ja kaikissa muissa Internet-yhteyksissä. Jos et halua IP-osoitettasi käytettävän ollenkaan, älä aseta langatonta Internet-toimintoa, äläkä yhdistä Internet-johtoa. Katso yksityisydensuojantiedot, jotka on esitetty asetusikkunoissa, saadaksesi lisätietoja Internet-yhteyksistä.

## Johdanto

Kiitos, että valitsit tämän Sonyn tuotteen. Lue nämä käyttöohjeet huolellisesti, ennen kuin alat käyttää televisiota. Säilytä käyttöohjeet tulevaa tarvetta varten.

### Huomautus

- Lue ennen TV:n käyttöä kohta "Turvallisuusohjeet" (sivu 3).
- Lue turvallisuutta koskevia lisätietoja mukana toimitetusta turvallisuus tiedotteesta.
- Asennusoppaassa ja tässä käyttöohjeessa käytetyt kuvat ja piirroset ovat ohjeellisia ja voivat poiketa kyseisestä tuotteesta.
- Mallinimen "xx"-kirjain vastaa numeroa, joka liittyy rakenteeseen, väriin tai TV-järjestelmään.

### Ohje

Saat lisää vianmääritysohjeita ja muita hyödyllisiä tietoja suoraan TV:stäsi. Avaa aihe luettelo tai etsi aihetta hakusanalla painamalla kaukosäätimen **HELP**-painiketta.

### Käyttöopas (Käyttöohje)

Tarkempia tietoja saat valitsemalla [Käyttöopas] TV:n Ohje-valikosta. Voit käyttää käyttöoppasta myös tietokoneella tai älypuhelimella (tiedot tämän oppaan takakannessa).

### Tunnistemerkitöjen sijainti

Mallinumerotiedot, valmistuspäivämäärä (vuosi/kuukausi) ja jännittemerkintä sijaitsevat television takaosassa tai pakkauksessa.

## TÄRKEÄ HUOMAUTUS

### Radiolaitteisiin liittyvä huomautus



Sony Visual Products Inc. vakuuttaa, että radiolaitetyypit KD-85XG8596, KD-75XG8796, KD-75XG8599, KD-75XG8596, KD-75XG8588, KD-75XG8505, KD-65XG8796, KD-65XG8599, KD-65XG8596, KD-65XG8588, KD-65XG8577, KD-65XG8505, KD-55XG8796, KD-55XG8599, KD-55XG8596, KD-55XG8588, KD-55XG8577, KD-55XG8505 ovat direktiivin 2014/53/EU mukaisia. EU-vaatimustenmukaisuusvakuutuksen täysimittainen teksti on saatavilla seuraavassa internetosoitteessa: <http://www.compliance.sony.de/>

Huomautus asiakkaille: seuraavat tiedot koskevat ainoastaan laitteita, joita myydään EU:n direktiivejä noudattavissa maissa.

Seuraavat tätä radiolaitetta koskevat käyttörajoitukset tai käyttövaltuutusvaatimukset ovat voimassa maissa AT, BE, HR, CY, CZ, DK, EE, FI, FR, DE, EL, HU, IE, IT, LV, LT, LU, MT, NL, PL, PT, SK, SI, ES, SE, UK, IS, LI, NO, CH, BG, RO, TR, AL, BA, MK, MD, RS, ME, Kosovo :

Taajuudet 5 150 - 5 350 MHz on rajoitettu vain sisäkäyttöön.

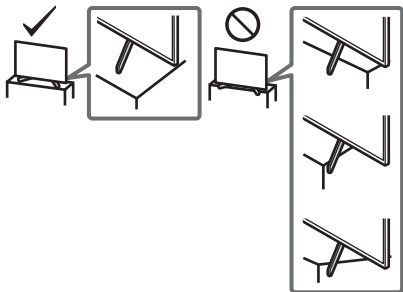
## Turvallisuusohjeet

### Asennus ja käyttö

Noudata television asennuksessa ja käytössä seuraavia ohjeita välttääksesi tulipalon tai sähköiskun vaaran tai laitteen vaurioitumisen ja/tai henkilövahingot.

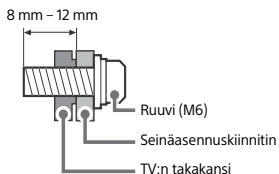
#### Asennus

- Televisio on sijoitettava helposti käsillä olevan verkkopistorasian lähelle.
- Aseta televisio tukevalle, tasaiselle alustalle, ettei se kaadu ja aiheuta henkilö- tai omaisuusvahinkoja.
- Asenna televisio paikkaan, jossa sitä ei voida vetää, työntää tai kaataa.
- Asenna televisio niin, ettei sen pöytäjalusta työnny televisiojalustan ulkopuolelle (ei sisälly toimitukseen). Jos pöytäjalusta työnny televisiojalustan ulkopuolelle, se voi aiheuttaa television kaatumisen, putoamisen tai henkilövahingon tai television vaurioitumisen.

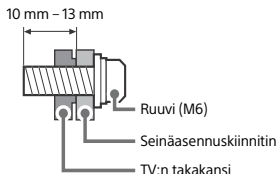


- Seinäasennuksen saa suorittaa ainoastaan asiantunteva henkilöstö.
- Turvallisuussyistä on erittäin tärkeää käyttää Sonyn varusteita: – Seinäasennuskiinnitin SU-WL450
- Muista käyttää Seinäasennuskiinnittimen mukana toimitettuja ruuveja, kun kiinnität Seinäasennuskiinnittimen TV-vastaanottiin. Mukana toimitetut ruuvit on suunniteltu kuvan mukaisesti Seinäasennuskiinnittimen asennuspinnasta mitattuna. Ruuvien halkaisija ja pituus vaihtelevat riippuen Seinäasennustelineen mallista. Muiden kuin mukana toimitettujen ruuvien käyttö voi aiheuttaa vaurioita television sisäosiin, television putoamisen tai muuta vahinkoa.

#### KD-85XG85xx



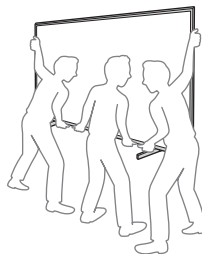
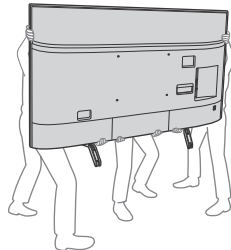
#### KD-75/65/55XG87xx, KD-75/65/55XG85xx



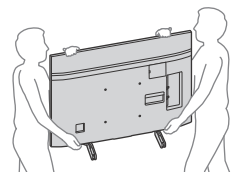
### Laitteen kuljettaminen ja siirtäminen

- Irrota kaikki johdot ennen television siirtämistä.
- Suurikokoisen television siirtämisessä tarvitaan vähintään kaksi henkilöä (KD-85XG85xx -laitetta siirrettäessä vähintään kolme).
- Kun TV:tä kuljetetaan käsin, pidä siitä kiinni alla olevan mukaisesti. Älä paina LCD-ruudun pintaa tai ruudun ympärillä olevaa kehystä.
- Kun nostat tai siirät televisiota, kannattele sitä tukevasti alapuolelta.

#### KD-85XG85xx



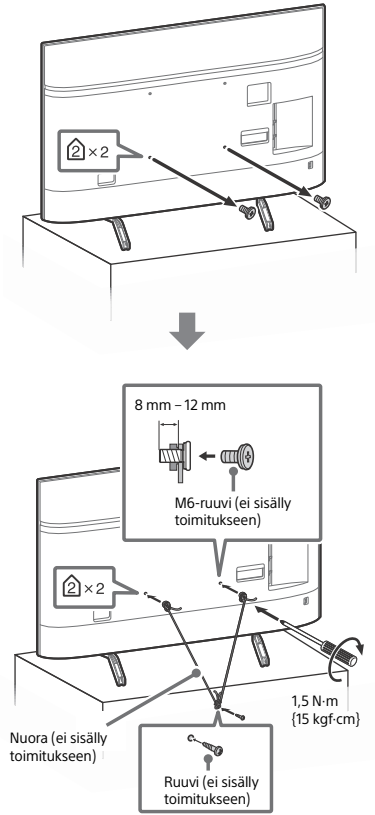
#### KD-75/65/55XG87xx, KD-75/65/55XG85xx



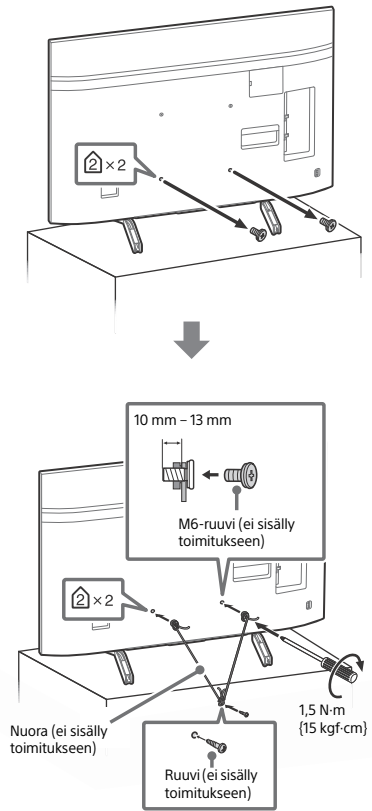
- Älä altista laitetta iskuille tai liialliselle tärinälle kuljetuksen aikana.
- Kun toimitat television huoltoon, tai kun kuljetat sitä muuton yhteydessä, pakkaa laite alkuperäiseen pakkaukseen ja suoja se alkuperäisillä pakkausmateriaaleilla.

## Kaatumisen estäminen

KD-85XG85xx



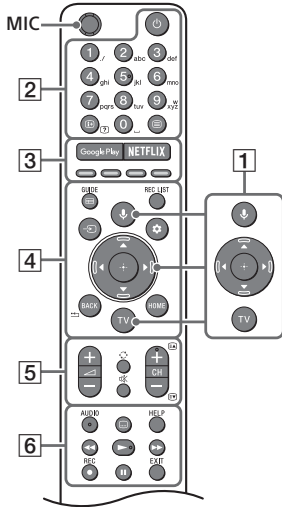
KD-75/65/55XG87xx, KD-75/65/55XG85xx





# Kaukosäädin ja TV

Kaukosäätimen muoto sekä kaukosäätimen painikkeiden sijainti, saatavuus ja toiminta saattavat vaihdella alueen/maan/TV-mallin mukaan.



- 1 **Mikrofoni:** Käytä puhehakuja. (esim. etsi erilaisia sisältöjä äänen avulla.)\*<sup>1</sup>  
**▲/▼/◀/▶/⊕ (Navigointiohjain):** Navigointiin ja valitsemiseen ruutuvalikoissa.  
**TV:** Vaihtaa TV-kanavalle tai tuloliitäntään ja näyttää TV-menun.

- 2 **TV-valmiustila)**  
**Numeropainikkeet**

**I+/?** (Tiedot/tekstin paljastus): Näytä tiedot.

**≡** (Teksti): Näytä tekstitiedot.

- 3 **Google Play**  
**NETFLIX (Vain rajoitetuilla alueilla/maissa/TV-malleissa)**  
**Väripainikkeet**

- 4 **GUIDE/☰:** Näyttää kaapeli- tai satelliittivastaanottimen digitaalisen/elektronisen ohjelmaoppaan\*<sup>2</sup>.

**REC LIST:** Näyttää USB-kiintolevyn tai DVR-laitteen tallennuslistan\*<sup>2</sup>.

**→** (Tulosignaalin valinta): Näytä ja valitse ohjelmälähde, jne.

**⚙️ (Pika-asetukset):** Näytä Pika-asetukset.

**BACK/←**

**HOME**

- 5 **↔️ +/- (Äänvoimakkuus)**

**⌛ (Hypää)**

**⊗ (Mykistys)**

**Vihje**

- Helppokäyttötoimintojen pikavalinnan voi ottaa käyttöön tai poistaa käytöstä painamalla pitkään **⊗** -painiketta.

**CH +/-/EA/ETV**

TV-tilassa: Valitse kanava.

Teksti-TV-tilassa: Valitse seuraava (EA) tai edellinen (ETV) sivu.

- 6 **AUDIO:** Valitsee äänen monikieliselletai kaksikieliselletai ohjelmalle (riippuu ohjelmalähteestä).

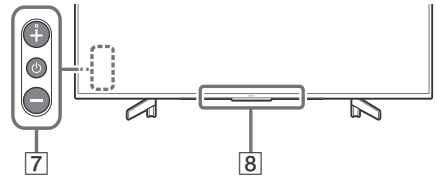
**⋮ (Tekstityksen asetukset)**

**HELP:** Näytä Ohje-valikko.

**⏪/▶️/▶️/⏸️**

● **REC:** Tallentaa katselemaisi ohjelman USB-kiintolevylle tai DVR-laitteelle\*<sup>2</sup>.

**EXIT**



- 7 **⏻ (Virta)**

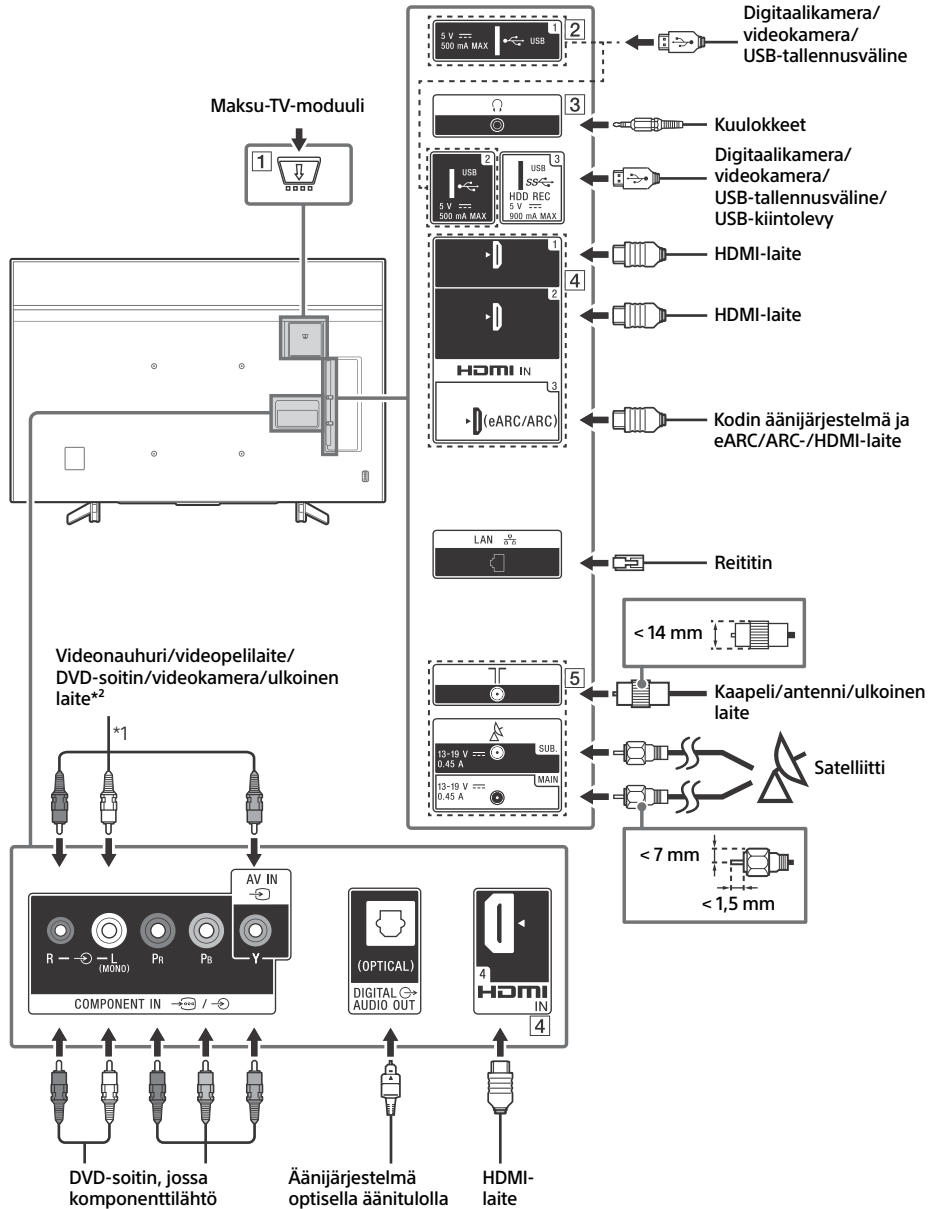
- 8 **Kaukosäädinanturi / Valotunnistin / Valaistuksen LED**

\*<sup>1</sup> Puhehaku vaatii Internet-yhteyden.

\*<sup>2</sup> [Kaapeli-/satelliittisovittimen asetukset] -asetus on määritettävä (vain tietyt alueet/maat/TV-mallit). Lisätietoja on annettu Käyttöoppaassa.

# Liitäntäkaavio

Lisätietoja liitännöistä Käyttöoppaassa, paina **HELP** kaukosäätimestä.



## 1 CAM (Maksu-TV-moduuli)

- Tällä toiminnolla voit käyttää maksullisia TV-palveluita. Lisätietoja on annettu CAM-moduulin mukana toimitetussa käyttöoppaassa.
- Älä aseta älykorttia suoraan TV:n CAM-korttipaikkaan. Kortti täytyy ensin asettaa valtuutetulta jälleenmyyjältä saatuun CAM-moduuliin.
- CAM-toimintoa ei tueta kaikissa maissa/kaikilla alueilla. Tarkista asia valtuutetulta jälleenmyyjältä.
- Kun siirryt digikanavalle Internet-videon käytön jälkeen, näkyviin voi tulla CAM-sanoma.

## 2 USB 1/2, USB 3 (HDD REC)\*3

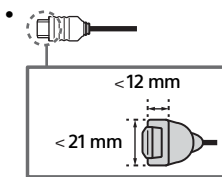
- Suurikokoisen USB-laitteen liittäminen saattaa häiritä muita liitettviä laitteita sen vieressä.
- Liitä suurikokoinen USB-laite USB 1-liitäntään.
- Liitä USB 3 -porttiin (sininen) USB-kiintolevy.

## 3 (Kuulokkeet)

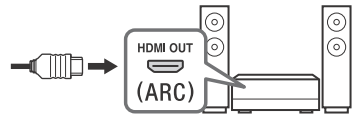
- Tukee vain 3-napaista stereominiliitintä.
- Et voi toistaa ääntä yhtä aikaa kuulokkeista ja TV-kaiuttimista.

## 4 HDMI IN 1/2/3/4

- HDMI-liitäntä siirtää digitaalisen kuvan ja äänen saman johdon kautta.



- Jotta voisit nauttia korkealaatuisesta 4K 50p/60p -sisällöstä, liitä Premium High Speed HDMI -kaapeli ja aseta [HDMI-signaalimuoto] -kohdan asetukseksi [Vahvistettu muoto]. Tee tämä asetus jokaiselle liitetylle HDMI IN-liitäntälle. Lisätietoja tuetuista muodoista on tämän oppaan "Tekniset tiedot" -kohdassa (sivu 10-12).
- **HDMI IN 3 eARC/ARC (Enhanced Audio Return Channel/Audio Return Channel)**  
Liitä äänijärjestelmä HDMI IN 3 -liitäntään, jos haluat kuulla TV:n äänen äänijärjestelmän kautta. HDMI eARC/ARC-toimintoa tukeva äänijärjestelmä voi lähettää kuvan TV:hen ja vastaanottaa äänen TV:stä saman kaapelin kautta. Jos äänijärjestelmäsi ei tue HDMI eARC/ARC-toimintoa, tarvitaan lisäksi DIGITAL AUDIO OUT (OPTICAL) -liitäntä.
- Liitä eARC-toimintoa käyttävä äänijärjestelmä Ethernetiä tukevalla HDMI-kaapelilla.



## 5 (RF-tulo), (Satelliittitulo)

- Liitännät maanpäällisille/kaapeli- ja satelliittilähetyksille. Liitäntävaiheet: SUB. → MAIN → Antenni
- SUB.-liitäntä: liitä vain, kun käytät kaksoisviritintilaa, paitsi kun käytössä on yhden kaapelin jakelu EN50494.

\*1 Liitä monofonista ääntä toistava laite L (MONO)-audioliitäntään.

\*2 Käytä SCART-RCA-adapteria ulkoisille laitteille, joissa on ainoastaan SCART AV OUT.

\*3 Vain rajoitetuilla alueilla/maissa/TV-malleissa.

# Televison asennus seinälle

## Lisävarusteena saatavan Seinäasennuskiinnittimen käyttäminen

Tässä TV:n käyttöoppaassa kuvataan vain vaiheet, joilla TV valmistellaan seinäasennusta varten ennen kuin se asennetaan seinälle.

### Asiakkaille:

Tuotteen suojelemiseksi ja turvallisuuden vuoksi Sony suosittelee, että television asennus annetaan Sonyn jälleenmyyjän tai luovallisen urakoitsijan tehtäväksi. Älä yritä asentaa sitä itse.

### Sony-jälleenmyyjille ja -urakoitsijoille:

Kiinnitä erityistä huomiota turvallisuuteen tämän tuotteen asennuksen, huollon ja tarkastuksen aikana.

Tämän tuotteen asentaminen edellyttää riittävää ammattitaitoa erityisesti sen määrittämiseksi, kestäkö seinä television painon. Tämän tuotteen seinään asentaminen on jätettävä Sonyn jälleenmyyjän tai luovallisen urakoitsijan tehtäväksi ja asennuksen turvallisuuteen on kiinnitettävä riittävästi huomiota. Sony ei ole vastuussa mistään vahingosta tai vammoista, jotka johtuvat tuotteen väärästä käsittelystä tai asennuksesta.

Käytä Seinäasennuskiinnintä SU-WL450 (ei sisälly toimitukseen) TV:n asentamiseksi seinälle. Katso Seinäasennuskiinnintä asennettaessa myös Seinäasennuskiinnittimen mukana toimitettu Käyttöohje ja asennusohje.

### Huomautus

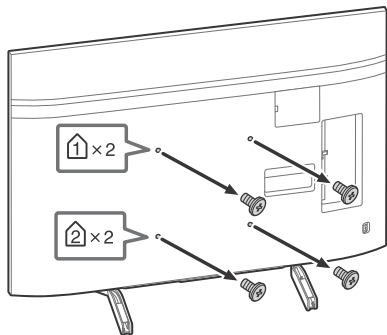
- Pane irrotetut ruuvit talteen turvalliseen paikkaan pois lasten ulottuvilta.



Ohjeita Seinäasennuskiinnittimen asennukseen on TV-mallisi tuotesivun Asennustiedot (Seinäasennuskiinnitin) -kohdassa.

[www.sony.eu/support/](http://www.sony.eu/support/)

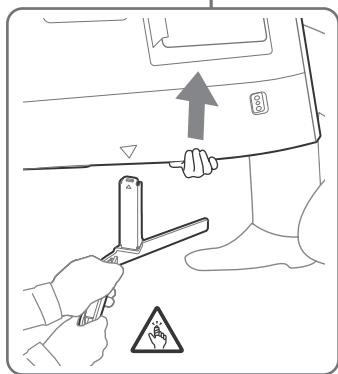
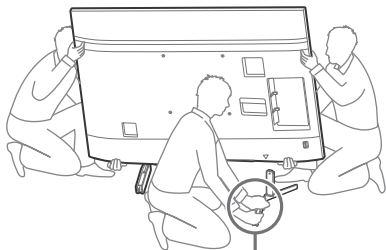
Irrota ruuvit TV:n takaosasta.



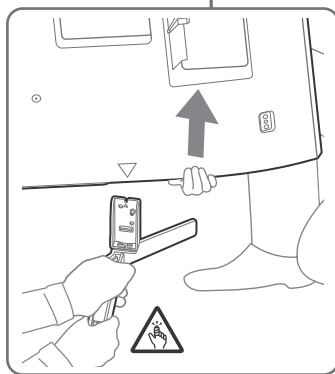
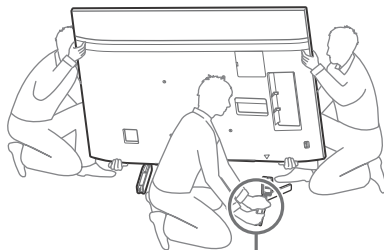
## Irrota pöytäjalusta TV:stä

- 1 Poista pöytäjalustan sivut yksi kerrallaan. Pitele pöytäjalustaa tukevasti molemmilla käsillä, kun toiset henkilöt nostavat TV:tä.

KD-85XG85xx



KD-75/65/55XG87xx, KD-75/65/55XG85xx



- 2 Toista edellinen vaihe ja poista pöytäjalustan toinen sivu.

### Huomautus

- Pöytäjalustan irrottamisessa tarvitaan vähintään kolme henkilöä.
- Varo käyttämästä liiallista voimaa irrottaessasi pöytäjalustaa TV:stä, jotta TV ei kaadu ja vahingoitu tai aiheuta henkilövahinkoa.
- Käsittele pöytäjalustaa varovasti, jotta TV ei vahingoitu.
- Ole varovainen nostaessasi pöytäjalustasta irrotettua televisiota, sillä pöytäjalusta voi kaatua ja aiheuttaa henkilövahingon.
- Ole varovainen irrottaessasi pöytäjalustaa televisiosta, jotta televisio ei kaadu ja vahingoita pöydän pintaa.

# Vianmääritys

Yleisissä vianmäärityskysymyksissä, kuten: musta näyttö, ei ääntä, jähmettynyt kuva, TV ei reagoi tai verkko on kadonnut, suorita seuraavat vaiheet.

- 1 Käynnistä TV uudelleen painamalla virtapainiketta kaukosäätimessä kunnes viesti tulee näkyviin. TV käynnistyy uudelleen. Jos televisio ei ala toimia, kokeile irrottamalla virtajohto. Paina sitten television virtapainiketta ja odota kaksi minuuttia, ennen kuin liität virtajohdon uudelleen.
- 2 Lisätietoja apuvalikosta painamalla **HELP** kaukosäätimessä.
- 3 Yhdistä TV:si Internetiin ja suorita ohjelmistopäivitys. Sony suosittelee pitämään TV:n ohjelmiston päivitettyinä. Ohjelmistopäivitykset antavat uusia ominaisuuksia ja parantavat suoritustehhoa.
- 4 Käy Sonyn tukisivustolla (tiedot ilmoitettu tämän oppaan kannessa).

**Kun kytket TV:n verkkovirtaan, TV ei välttämättä kytkeydy heti päälle vaikka painaisit virtapainiketta kaukosäätimestä tai TV:stä.**

Järjestelmän alustaminen vie aikaa. Odota noin minuutti ja yritä sitten uudelleen.

## Ongelmat ja ratkaisut

### Kun LED-valo vilkkuu punaisena.

- Laske kuinka monta kertaa se vilkkuu (aikaväli on kolme sekuntia).  
Voit käynnistää television uudelleen irrottamalla virtajohdon ja odottamalla punaisen LED-valon vilkkumisen loppumista. Voit sen jälkeen kytkeä TV:n uudestaan päälle.  
Jos ongelma ei poistu, irrota virtajohto ja ota yhteyttä jälleenmyyjääsi tai Sonyn huoltokeskukseen ilmoittaen tiedot siitä, kuinka monta kertaa LED-valo vilkkuu.

### Maanpäällisen verkon kaapeliverkon palvelua ei voida vastaanottaa.

- Tarkista antennin/kaapelin yhteys ja vahvistimen asetukset.
- Valitse antenni/kaapelilähetyksen painamalla kaukosäätimen **TV**-painiketta. Valitse sitten [Digitaaliset], jos lähetyksen ei näy.

- Maanpäällisen verkon signaali voi olla vaimentunut, jos lähistöllä on vahva signaali. Aseta [LNA (CH ---)] tilaan [Pois] digitaaliviritysasetuksissa.
- Uuteen taloon muuttamisen jälkeen tai yritettäessä vastaanottaa uusia palveluita, yritä suorittaa kanavien haku valitsemalla [Digikanavien viritys].

### Satelliittipalvelua ei voida vastaanottaa.

- Tarkista satelliittikaapelikytkentä.
- Kun [Ei signaalia. LNB yliuormitettu...] näytetään, irrota verkkojohto pistorasiasta. Varmista sitten, ettei satelliittikaapeli ole vaurioitunut eikä satelliittisignaalinjohto ole oikosuljettu satelliittiliittimessä.

### Kaukosäädin ei toimi.

- Vaihda paristot.

### Lähetyspalvelun lapsilukon salasana on unohtunut.

- Syötä PIN-koodiin 9999 ja valitse [Vaihda PIN-koodi].

### Television kehys lämpenee.

- Kun televisio on päällä pitkään, sen kehys lämpenee. Kädellä koskettaessa se voi tuntua kuumalta.

# Tekniset tiedot

## Järjestelmä

Näyttöpaneeli  
LCD-paneeli, LED-taustavalo

TV-järjestelmä  
Maa-/aluevalinnasta/TV-mallista riippuen  
Analoginen: B/G, D/K, I  
Digitaalinen: DVB-T/DVB-C  
DVB-T2<sup>1</sup>  
Satelliitti<sup>1</sup>: DVB-S/DVB-S2

Värijärjestelmä  
PAL/SECAM/NTSC3.58 (Vain video)/NTSC4.43 (Vain video)

Kanavien näkyvyysalue  
Maa-/aluevalinnasta/TV-mallista riippuen  
Analoginen: UHF/VHF/johto  
Digitaalinen: UHF/VHF/johto  
Satelliitti<sup>1</sup>: IF-taajuus 950-2 150 MHz

Äänentoisto  
10 W + 10 W

Langaton teknologia  
Protokolla IEEE802.11ac/a/b/g/n  
(IEEE802.11ac ei ehkä ole saatavissa maan/alueen mukaan.)  
Bluetooth versio 4.2

## Taajuuskaista(t)

Langaton LAN (IEEE802.11ac/a/b/g/n)	
Taajuusalue	Lähtöteho
2 400-2 483,5 MHz	< 20,0 dBm
5 150-5 250 MHz	< 23,0 dBm
5 250-5 350 MHz	< 20,0 dBm
5 470-5 725 MHz	< 20,0 dBm
5 725-5 850 MHz	< 13,9 dBm

Bluetooth	
Taajuusalue	Lähtöteho
2 400-2 483,5 MHz	< 10,0 dBm

## RMF-TX600E/TX500E

Bluetooth	
Taajuusalue	Lähtöteho
2 400-2 483,5 MHz	< 10,0 dBm

## Ohjelmistoversio

Tämä radiolaite on tarkoitettu käytettäväksi EU-vaatimustenmukaisuusilmoituksessa ilmoitetun ohjelmistoversion tai -versioiden kanssa. Näet ohjelmistoversion painamalla kaukosäätimen **HELP**-painiketta. Kaukosäädin: Valitse [Kaukosäädin] → [Ohjelmistoversio] kohdasta [Asetukset]. Lisätietoja on annettu Käyttöoppaassa. Tähän radiolaitteeseen asennetun ohjelmiston vahvistetaan noudattavan direktiivin 2014/53/EU olennaisia vaatimuksia.

## Tulo-/lähtöliitännät

### Antenni/kaapeli

75 ohmin ulkoinen liitäntä VHF/UHF-liittimelle

### Satelliittiantenni<sup>1</sup>

Naaraspuolinen F-tyypin liitin, 75 ohmia. DiSEqC 1.0, LNB 13 V/18 V & 22 kHz ohjaus, Yhden kaapelin jakelu EN50494.

### COMPONENT IN

YPbPr (komponenttivideo): 1080p (50, 60 Hz), 1080i (50, 60 Hz), 720p (50, 60 Hz), 576p, 576i, 480p, 480i

Audiotulo (RCA-liitännät)

### AV IN

Videotulo (tavallinen RCA-liitäntä Y-tulolla)

### HDMI IN 1/2/3/4 (tukevat 4K-tarkkuutta, HDCP 2.3

### -yhteensopiva)

Video:

4096 × 2160p (50, 60 Hz)<sup>2+3</sup>, 4096 × 2160p (24 Hz)<sup>2</sup>, 3840 × 2160p (50, 60 Hz)<sup>3</sup>, 3840 × 2160p (24, 25, 30 Hz), 1080p (30, 50, 60 Hz), 1080/24p, 1080i (50, 60 Hz), 720p (30, 50, 60 Hz), 720/24p, 576p, 480p, PC-muodot<sup>4</sup>

Audio:

eARC (Enhanced Audio Return Channel)-tilassa<sup>5</sup>

Katso lisätietoja Käyttöoppaasta.

Muussa kuin eARC-tilassa

5.1-,kanavainen lineaarinen PCM: 32/44,1/48/88,2/96/176,4/192 kHz 16/20/24 bittiä, Dolby Digital, Dolby Digital Plus, DTS

### eARC/ARC (Enhanced Audio Return Channel/Audio Return Channel) (Vain HDMI IN 3)

eARC-tilassa<sup>5</sup>

Katso lisätietoja Käyttöoppaasta.

ARC-tilassa

Kaksikanavainen lineaarinen PCM: 48 kHz 16 bittiä, Dolby Digital, Dolby Digital Plus, DTS

### DIGITAL AUDIO OUT (OPTICAL)

Optinen digitaaliliitäntä (kaksikanavainen lineaarinen PCM: 48 kHz 16 bittiä, Dolby Digital, DTS)

## (stereominiiliin)

Kuulokkeet

### 3 (HDD REC)<sup>6</sup>

USB-laiteportti (SS) 3 USB-kiintolevy REC-toimintoa varten

USB-liitännät 1 ja 2 tukevat nopeaa USB:tä (USB 2.0)

USB-liitännät 3 tukevat nopeaa USB:tä (USB 3.1 Gen 1)



Maksu-TV-moduuli (CAM) paikka



LAN

10BASE-T/100BASE-TX-liitäntä (Yhteysnopeus voi vaihdella

verkon käyttöympäristön mukaan. Tiedonsiirtonopeutta ja

laatu ei taata.)

## Muita tietoja

### Lisävarusteet

Seinäasennuskiinnitin: SU-WL450

### Käyttölämpötila

0 °C – 40 °C

### Käyttökoosteus

10 % – 80 % RH (ei-kondensoiva)

## Teho, tuoteseloste ja muuta

### Tehovaatimukset

220 V – 240 V AC, 50 Hz

### Energiatehokkuusluokka

KD-85XG85xx: A

KD-75XG87xx / KD-75XG85xx: A+

KD-65XG87xx / KD-65XG85xx: A

KD-55XG87xx / KD-55XG85xx: A

### Näytön koko (halkaisija) (Noin)

KD-85XG85xx: 214,8 cm / 85 tuumaa

KD-75XG87xx / KD-75XG85xx: 189,3 cm / 75 tuumaa

KD-65XG87xx / KD-65XG85xx: 163,9 cm / 65 tuumaa

KD-55XG87xx / KD-55XG85xx: 138,8 cm / 55 tuumaa

### Virrankulutus

[Vakio]-tilassa

KD-85XG85xx: 216 W

KD-75XG87xx / KD-75XG85xx: 158 W

KD-65XG87xx / KD-65XG85xx: 127 W

KD-55XG87xx / KD-55XG85xx: 111 W

[Kirjas]-tilassa

KD-85XG8596: 362 W

KD-75XG8796: 275 W

KD-75XG8599: 275 W

KD-75XG8596: 275 W

KD-75XG8588: 275 W

KD-75XG8505: 275 W

KD-65XG8796: 221 W

KD-65XG8599: 221 W

KD-65XG8596: 221 W

KD-65XG8588: 221 W

KD-65XG8577: 221 W

KD-65XG8505: 221 W

KD-55XG8796: 186 W

KD-55XG8599: 186 W

KD-55XG8596: 186 W

KD-55XG8588: 186 W

KD-55XG8577: 186 W

KD-55XG8505: 186 W

### Vuositainen energiankulutus<sup>7</sup>

KD-85XG85xx: 300 kWh/vuosi

KD-75XG87xx / KD-75XG85xx: 219 kWh/vuosi

KD-65XG87xx / KD-65XG85xx: 176 kWh/vuosi

KD-55XG87xx / KD-55XG85xx: 154 kWh/vuosi

### Virrankulutus valmiustilassa<sup>8+9</sup>

0,50 W (25 W ohjelmiston/elektronisen ohjelmaoppaan

päivitystilassa)

### Näytön erottelutarkkuus

3 840 pistettä (vaaka) × 2 160 juovaa (pysty)

### Ulostuloarvot

USB 1/2

Maks. 5 V  $\overline{\text{---}}$ , 500 mA

USB 3

Maks. 5 V  $\overline{\text{---}}$ , 900 mA

## Mitat (Noin) (l × k × s)

### pöytäjalustan kanssa

KD-85XG85xx: 190,9 × 117,5 × 43,3 cm  
KD-75XG87xx / KD-75XG85xx: 167,3 × 103,1 × 35,8 cm  
KD-65XG87xx / KD-65XG85xx: 145,0 × 89,9 × 31,6 cm  
KD-55XG87xx / KD-55XG85xx: 123,1 × 77,6 × 31,6 cm

### ilman pöytäjalustaa

KD-85XG85xx: 190,9 × 109,7 × 8,0 cm  
KD-75XG87xx / KD-75XG85xx: 167,3 × 96,3 × 5,4 cm  
KD-65XG87xx / KD-65XG85xx: 145,0 × 83,6 × 5,2 cm  
KD-55XG87xx / KD-55XG85xx: 123,1 × 71,3 × 5,2 cm

## Paino (Noin)

### pöytäjalustan kanssa

KD-85XG85xx: 49 kg  
KD-75XG87xx / KD-75XG85xx: 39,3 kg  
KD-65XG87xx / KD-65XG85xx: 26,3 kg  
KD-55XG87xx / KD-55XG85xx: 19,7 kg

### ilman pöytäjalustaa

KD-85XG85xx: 46,5 kg  
KD-75XG87xx / KD-75XG85xx: 37,8 kg  
KD-65XG87xx / KD-65XG85xx: 25,3 kg  
KD-55XG87xx / KD-55XG85xx: 18,7 kg

- \*1 Kaikissa TV:issä ei ole DVB-T2- tai DVB-S/S2-tekniikkaa tai satelliittiantenniiliittintä.
- \*2 Kun lähteen resoluutio on 4096 × 2160p ja [Laaja tila] -asetus on [Normaali], näytettävä resoluutio on 3840 × 2160p. Jos haluat resoluutioksi 4096 × 2160p, aseta [Laaja tila] -asetukseksi [Koko kuva 1] tai [Koko kuva 2].
- \*3 Jos haluat 18 Gbps:n tuen, aseta [HDMI-signaalimuoto] -asetukseksi [Vahvistettu muoto].
- \*4 Katso lisätietoja Käyttöoppaasta.
- \*5 eARC-tila on aktiivinen, kun [eARC-tila] on [Autom.], [Kaiuttimet] on asetettu tilaan [Äänijärjestelmä] ja eARC-yhteensopiva äänijärjestelmä on liitetty.
- \*6 Vain rajoitetuilla alueilla/maissa/TV-malleissa.
- \*7 Vuosittainen energiankulutus (kWh), joka perustuu television 4 tunnin päivittäiseen käyttöön 365 päivänä vuodessa. Todellinen energiankulutus riippuu siitä, miten televisiota käytetään.
- \*8 Mainittu valmiustilan virrankulutus on voimassa sen jälkeen, kun televisio on suorittanut välttämättömät sisäiset toimenpiteet.
- \*9 Valmiustilan virrankulutus kasvaa, kun televisio on yhdistetty verkkoon.

## Huomautus

- Älä irrota TV:n maksu-TV-moduulin (CAM) vakekorttia tai kantta (saatavuus riippuu TV-mallista) muutoin kuin älykortin sisältämän CAM-moduulin asentamiseksi.
- Lisävarusteiden saatavuus riippuu maasta/alueesta/television mallista/varastotilanteesta.
- Rakennetta ja teknisiä tietoja saatetaan muuttaa siitä erikseen ilmoittamatta.


## Digitaalisen television toimintaan liittyviä

### huomautuksia

- Digi-TV (DVB antennin, satelliitin tai kaapelin kautta), vuorovaikutteiset palvelut ja verkkotoiminnot eivät välttämättä ole käytettävissä kaikissa maissa tai kaikilla alueilla. Jotkut toiminnot eivät ehkä ole käytössä tai eivät toimi oikein joidenkin palveluntarjoajien ja verkkoympäristöjen kanssa. Jotkut TV-palveluntarjoajat saattavat veloittaa maksun palveluistaan.
- Tämä TV tukee digitaalilähetyksiä, joissa käytetään MPEG-2-, H.264/MPEG-4 AVC- ja H.265/HEVC-koodekkeja, mutta emme voi taata yhteensopivuuksia kaikkien operaattori-/palvelusignaalien kanssa, koska ne voivat muuttua ajan myötä.

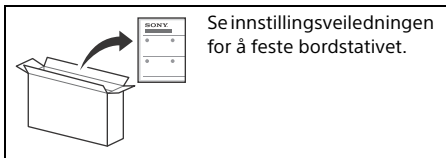
## Tuotemerkit

- Termit HDMI ja HDMI High-Definition Multimedia Interface ja HDMI-logo ovat HDMI Licensing Administrator, Inc.:n tavaramerkkejä tai rekisteröityjä tavaramerkkejä Yhdysvalloissa ja muissa maissa.
- Dolby, Dolby Vision, Dolby Audio ja kaksois-D-symboli ovat Dolby Laboratories tavaramerkkejä. Valmistettu Dolby Laboratories myöntämällä lisenssillä. Luottamuksellisia julkaisemattomia teoksia. Copyright © 1992-2015 Dolby Laboratories. Kaikki oikeudet pidätetään.

- "BRAVIA", BRAVIA ja BRAVIA Sync ovat Sony Corporationin tavaramerkkejä tai rekisteröityjä tavaramerkkejä.
- Gracenote, Gracenote-logo ja -logotyyppi ja "Powered by Gracenote" -logo ovat joko Gracenote, Inc.:n rekisteröityjä tavaramerkkejä Yhdysvalloissa ja/tai muissa maissa.
- Vewd® Core. Copyright 1995-2019 Vewd Software AS. All rights reserved.
- Google, Google Play, Chromecast, YouTube, Android TV ja muut niihin liittyvät merkit ja logot ovat Google LLC:n tavaramerkkejä.
- Wi-Fi®, Wi-Fi Alliance® ja Wi-Fi Direct® ovat Wi-Fi Alliansen rekisteröityjä tavaramerkkejä.
- Wi-Fi CERTIFIED™ -logo on Wi-Fi Alliansen sertifiointimerkki.
- DTS-patentit, ks. <http://patents.dts.com>. Valmistettu DTS, Inc.in lisenssillä. DTS, symboli sekä DTS ja symboli yhdessä ovat rekisteröityjä tavaramerkkejä ja DTS Digital Surround on DTS, Inc.:n tavaramerkki. © DTS, Inc. Kaikki oikeudet pidätetään.
- Bluetooth®-sanamerkki ja -logot ovat Bluetooth SIG, Inc.:n omistamia rekisteröityjä tavaramerkkejä, ja Sony Corporation käyttää niitä lisenssillä. Muut tuotemerkit ja tuotenimet ovat omistajiensa omaisuutta.
- Netflix on Netflix Inc rekisteröimä tavaramerkki.
- DiSEqC™ on EUTELSATin tavaramerkki. Tässä televisiossa on DiSEqC 1.0 -tuki. Tätä televisiosta ei ole tarkoitettu moottorikäyttöisten antennien ohjaukseen.
- TUXERA on Tuxera Inc.:n rekisteröity tavaramerkki Yhdysvalloissa ja muissa maissa.
- USB-IF SuperSpeed USB Trident -logo on USB Implementers Forum, Inc.:n rekisteröity tavaramerkki. 
- Kaikki muut tavaramerkit ovat omistajiensa omaisuutta.







Se innstillingsveiledningen for å feste bordstativet.

## Innhold

VIKTIG MERKNAD .....	2
Sikkerhetsinformasjon .....	3
Fjernkontroll og TV. ....	5
Koblingsskjema .....	6
Montere TV-en på veggen .....	8
Bruke den ekstra	
Veggmonteringsbraketten. ....	8
Demontere bordstativet fra TV-en .....	9
Feilsøking .....	10
Problemer og løsninger .....	10
Spesifikasjoner .....	10

### Internettilkobling og datafortrolighet

Dette produktet kobler til internett under oppsett så snart et nettverk er koblet til, for å bekrefte internettilkoblingen, og senere for å konfigurere Velkomstskjermen. IP-adressen din brukes i denne og alle andre internettilkoblinger. Hvis du ikke ønsker at IP-adressen din skal brukes i det hele tatt, lar du være å sette opp den trådløse internettfunksjonen, og du kobler ikke til en internettkabel. Se personverninformasjonen presentert på oppsettskjermene for flere detaljer om internettilkoblinger.

## Introduksjon

Takk for at du valgte dette produktet fra Sony. Les gjennom denne håndboken før du begynner å bruke TV-en, og ta vare på den for fremtidig referanse.

### Merknader

- Før du bruker TV-en, vær vennlig å lese "Sikkerhetsinformasjon" (side 3).
- Les den medfølgende Sikkerhetsinformasjon for ytterligere sikkerhetsinformasjon.
- Bilder og illustrasjoner som brukes i installasjonsveiledningen og i denne håndboken, er kun ment som referanse, og kan avvike fra produktets faktiske utseende.
- "xx"-en som vises i modellnavnet korresponderer til et tall, som er knyttet til design, farge eller TV-system.

### Hjelp

Les mer om feilsøking og annen nyttig informasjon direkte på TV-en. Trykk **HELP** på fjernkontrollen for å vise en liste med temaer, eller for å søke med nøkkelord.

### Hjelpeveiledning- (Manual)

For flere informasjoner, velg [Hjelpeveiledning] fra Hjelp-menyen på din TV. Du kan også se i hjelpeveiledningen fra din PC eller smarttelefon (informasjon oppgitt på bakre omslag på denne håndboken).

## Plassering av identifikasjonsmerket

Etiketter med modellnr., produksjonsdato (år/måned) og strømforsyningsområde er plassert på baksiden av TV-en eller esken.

## VIKTIG MERKNAD

### Merknad for radioutstyr

Herved erklærer Sony Visual Products Inc. at radioutstyrstypene

KD-85XG8596, KD-75XG8796, KD-75XG8596, KD-75XG8599, KD-75XG8588, KD-75XG8505, KD-65XG8796, KD-65XG8599, KD-65XG8596, KD-65XG8588, KD-65XG8577, KD-65XG8505, KD-55XG8796, KD-55XG8599, KD-55XG8596, KD-55XG8588, KD-55XG8577, KD-55XG8505 er i samsvar med direktiv 2014/53/EU. EU-erklæring fulltekst finner du på Internett under: <http://www.compliance.sony.de/>

Merknad for kunder: Følgende informasjon gjelder kun for utstyr som er solgt i land som anvender EU-direktivene.

For dette radioutstyret gjelder følgende begrensninger for bruk eller krav for autorisering av bruk i AT, BE, HR, CY, CZ, DK, EE, FI, FR, DE, EL, HU, IE, IT, LV, LT, LU, MT, NL, PL, PT, SK, SI, ES, SE, UK, IS, LI, NO, CH, BG, RO, TR, AL, BA, MK, MD, RS, ME, Kosovo : 5150 - 5350 MHz-båndet skal bare benyttes for innendørs bruk.



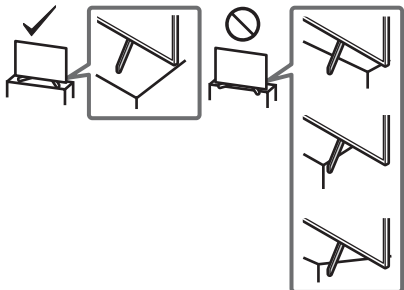
## Sikkerhetsinformasjon

### Installasjon/oppsett

Installer og bruk TV-apparatet i samsvar med instruksjonene nedenfor for å unngå risiko for brann, elektrisk støt eller annen skade og/eller personskader.

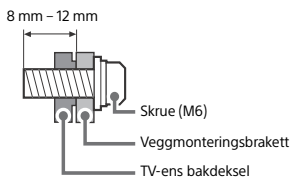
#### Installasjon

- TV-en bør installeres i nærheten av en lett tilgjengelig stikkontakt.
- Plasser TV-settet på en stabil, plan overflate for å unngå at den faller ned og forårsaker personskade eller skade på TV-en.
- Installer TV-en på en plass hvor den ikke kan bli skjøvet, dyttet eller ramle ned.
- Installer TV-en slik at TV-ens bordstativ ikke stikker frem fra TV-stativet (medfølger ikke). Hvis bordstativet stikker frem fra TV-stativet, kan det føre til at TV-en velter, faller ned og dette kan skade personer eller TV-en.

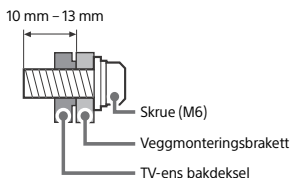


- Kun kvalifisert servicepersonell skal utføre eventuell installasjon av veggbraketter.
- Av sikkerhetsgrunner anbefales det på det sterkeste at du bruker tilleggsutstyr fra Sony som omfatter: – Veggmonteringsbrakett SU-WL450
- Sørg for at du bruker skruene som følger med Veggmonteringsbraketten når du fester Veggmonteringsbraketten til TV-en. De medfølgende skruene er utformet som vist på illustrasjonen målt fra monteringsoverflaten til Veggmonteringsbraketten. Skruenes diameter og lengde varierer ut fra Veggmonteringsbrakettens modell. Hvis du bruker andre skruer enn de som følger med, kan TV-apparatet bli skadet innvendig eller det kan falle ned osv.

#### KD-85XG85xx



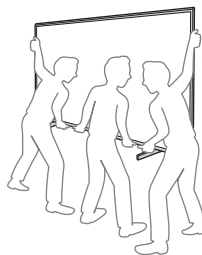
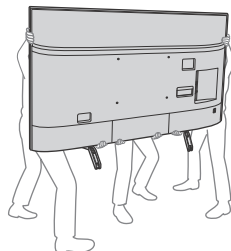
#### KD-75/65/55XG87xx, KD-75/65/55XG85xx



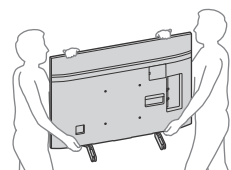
### Bæring

- Før du bærer TV-apparatet, må du koble fra alle kablene.
- Et stort TV-apparat må bæres av to eller flere personer (tre eller flere for KD-85XG85xx).
- Når du transporterer TV-en for hånd, må du holde den som vist under. Ikke utsett LCD-skjermen og rammen rundt for press-belastning.
- Når TV-en løftes eller flyttes, må den holdes fast fra undersiden.

#### KD-85XG85xx



#### KD-75/65/55XG87xx, KD-75/65/55XG85xx

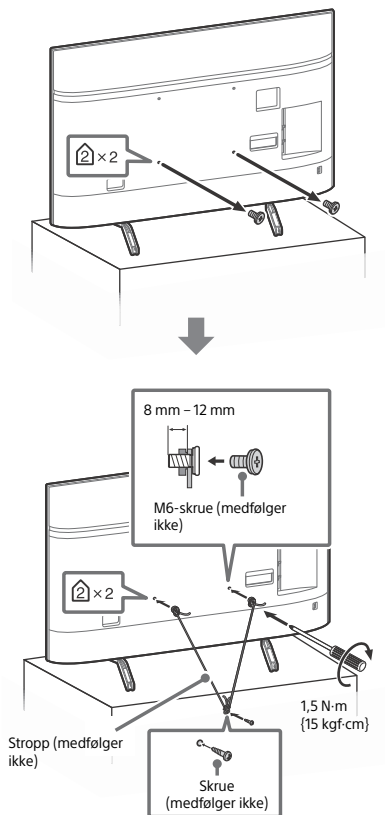


- Ikke utsett TV-apparatet for støt eller sterke vibrasjoner når du flytter det.
- Når du leverer inn TV-apparatet på grunn av reparasjon eller hvis du flytter, bør du transportere det i originalemballasjen.

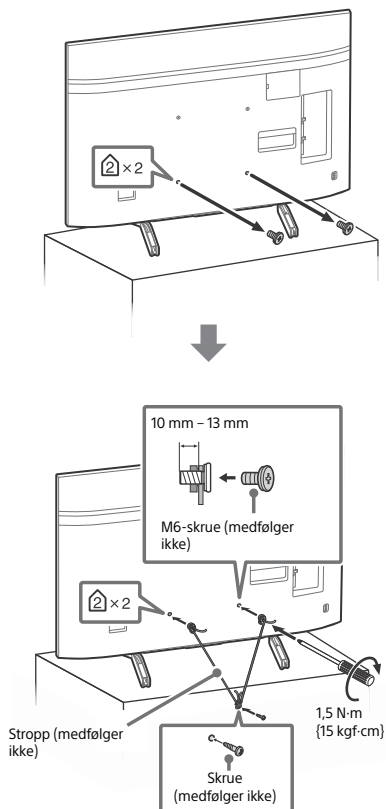
NO

## Tippforebygging

KD-85XG85xx



KD-75/65/55XG87xx, KD-75/65/55XG85xx



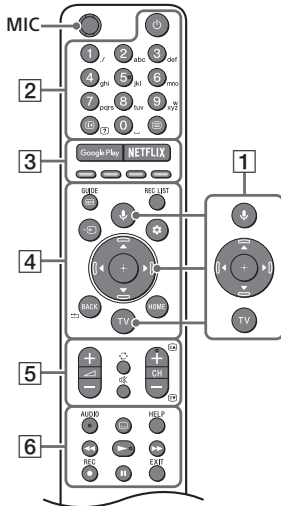
## Advarsel

Utstyr som er koplet til beskyttelsesjord via nettplugg og/eller via annet jordtilkoplet utstyr - og er tilkoplet et kabel-TV nett, kan forårsake brannfare.

For å unngå dette skal det ved tilkopling av utstyret til kabel-TV nettet installeres en galvanisk isolator mellom utstyret og kabel-TV nettet.

# Fjernkontroll og TV

Utformingen av fjernkontrollen, plasseringen, tilgjengeligheten og funksjonen til knappene på fjernkontrollen kan variere avhengig av regionen/landet/TV-modellen.



- 1 **(Mikrofon):** Bruk talesøking. (f.eks. søk etter diverse innhold med tale.)\*1  
**▲/▼/◀/▶/⊕** **(Navigasjon D-Pad):** Meny på skjermen for navigasjon og valg.  
**TV:** Bytt til en TV-kanal eller inngang og vis TV-menyen.

- 2 **(TV hvilemodus)**

## Nummerknapper

- (Info/vis tekst):** Vis informasjon.  
 **(Tekst):** Vis tekstinformasjon.

- 3 **Google Play**  
**NETFLIX (Kun i begrenset region/land/TV-modell)**  
**Fargeknapper**

- 4 **GUIDE** : Vis den digitale programguiden, eller EPG for kabel/satelitt-boks\*2.

**REC LIST:** Vis anbefalingslisten for USB HDD eller DVR\*2.

**(Valg av innhold):** Vis og velg inngangskilden osv.

**(Hurtiginnstillinger):** Vis hurtiginnstillinger.

**BACK**

**HOME**

- 5 **+/- (Volum)**

**(Hopp)**

**(Demp)**

Tips

- Snarveitilgangen for tjenester kan slås på eller av ved å trykke og holde .

**CH +/-** **(EÅ) (EY)**

I TV-modus: Velg kanalen.

I tekstmodus: Velg neste () eller forrige () side.

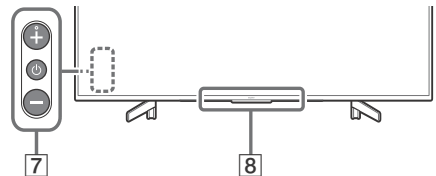
- 6 **AUDIO:** Velg lyd for flerspråklig kilde eller flerspråklig lyd (avhengig av programkilden).

**(Teksting-innstilling)**

**HELP:** Vis Hjelp-menyen.

**REC:** Ta opp programmet som vises på USB HDD eller DVR\*2.

**EXIT**



- 7 **(Strøm)**

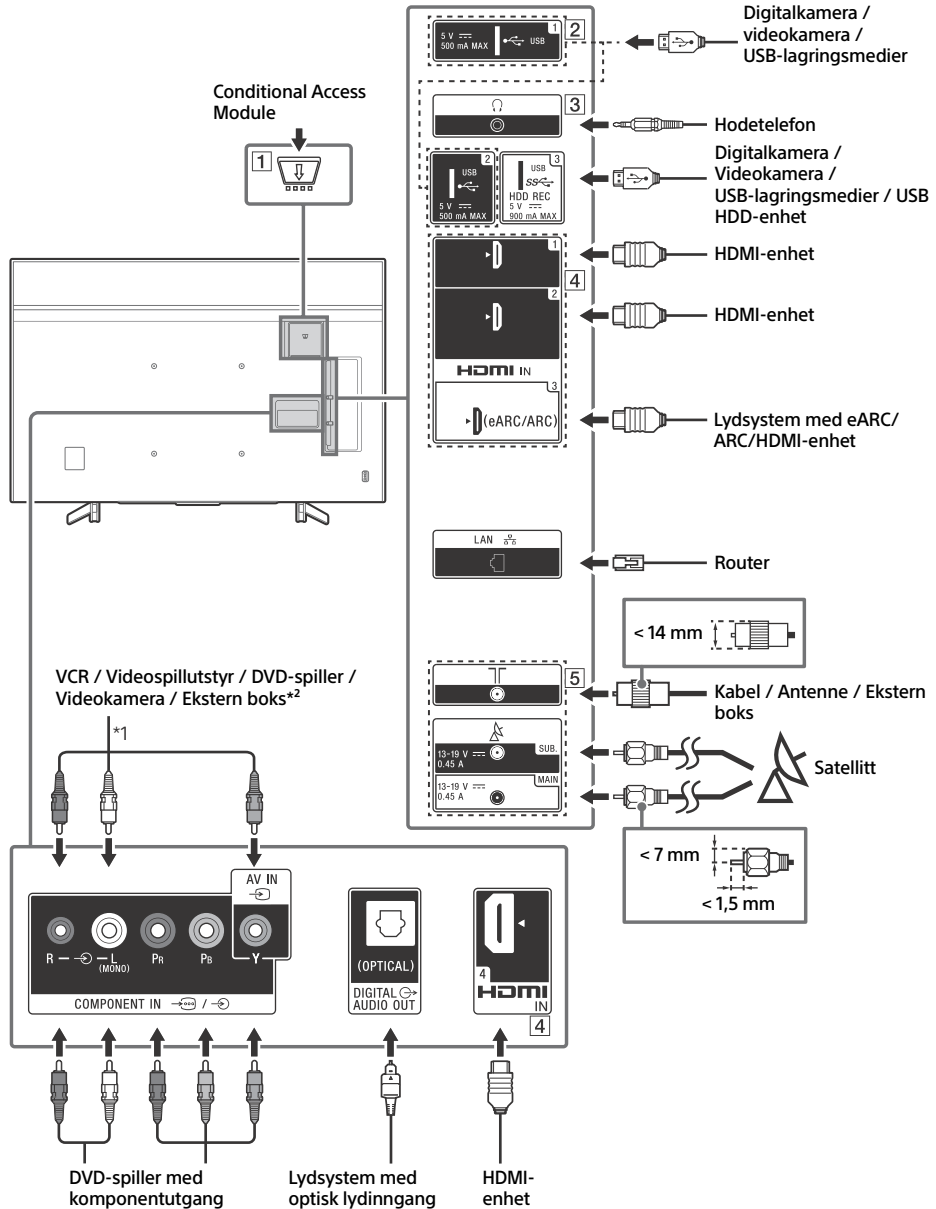
- 8 **Fjernkontroll-sensor / Lyssensor / LED-lys**

\*1 Talesøking krever internetttilkobling.

\*2 [Oppsett av kabel/satelittboks] innstilling er påkrevet (kun i begrenset region/land/TV-modell). For mer informasjon, se Hjelpeveiledning.

# Koblings skjema

For mer informasjon om tilkoblinger, se Hjelpeveiledningen ved å trykke **HELP** på fjernkontrollen.



## 1 CAM (Conditional Access Module)

- Gir tilgang til betalte TV-tjenester. For mer informasjon se bruksanvisningen som fulgte med CAM.
- Ikke sett smartkortet direkte inn i TV CAM-sporet. Det må settes i CAM-modulen som leveres av en autorisert forhandler.
- CAM støttes ikke i enkelte land/områder. Undersøk med en autorisert forhandler.
- En CAM-melding kan vises når du bytter til et digitalt program etter bruk av Internett-video.

## 2 USB 1/2, USB 3 (HDD REC)\*<sup>3</sup>

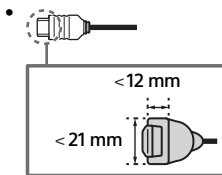
- Tilkobling av en stor USB-enhet kan forstyrre andre tilkoblede enheter ved siden av den.
- Når du kobler til en stor USB-enhet, koble den til USB 1-kontakten.
- Koble til en USB-HDD-enhet til USB 3-kontakten (blå).

## 3 (Hodetelefon)

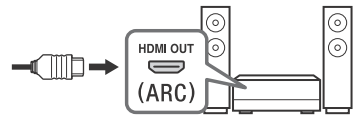
- Støtter bare 3-polet stereominijack.
- Du kan ikke høre lyd fra både hodetelefonen og TV-høytalerne samtidig.

## 4 HDMI IN 1/2/3/4

- HDMI-grensesnitt kan overføre digital video og lyd i en enkel kabel.



- For å ha glede av høykvalitets 4K 50p/60p-innhold kobler du en Premium High Speed HDMI-kabel og angir [HDMI-signatformat] som [Forbedret format].  
Denne innstillingen gjøres for hver enkelt tilkoblede HDMI IN-terminal. For informasjon om støttede formater, se "Spesifikasjoner" i denne håndboken (side 10-12).
- **HDMI IN 3 eARC/ARC (Enhanced Audio Return Channel/Audio Return Channel)**  
Koble lydsystemet ditt til HDMI IN 3 for å tilføre TV-lyd til lydsystemet. Et lydsystem som støtter HDMI eARC/ARC, kan sende video til TV-en og motta lyd fra TV-en gjennom den samme HDMI-kabelen. Hvis lydsystemet ikke støtter HDMI eARC/ARC, er det nødvendig med en ekstra tilkobling til DIGITAL AUDIO OUT (OPTICAL).
- Bruk HDMI-kabelen med Ethernet for å koble til lydsystemet med eARC.



## 5 (RF-inngang), (Satellittingang)

- Tilkoblinger for bakke/kabel og satellitt. Tilkoblingstrinn: SUB. → MAIN → Antenne
- For SUB. kontakt, koble bare når du bruker dobbel tuner-modus, unntatt for distribusjon med én kabel EN50494.

\*1 Ved tilkobling av monoutstyr, koble til L (MONO)-lydkontakten.

\*2 Bruk SCART-RCA-adapter for ekstern enhet som kun har SCART AV OUT.

\*3 Kun i begrenset region/land/TV-modell.

# Montere TV-en på veggen

## Bruke den ekstra Veggmonteringsbraketten

Denne TV-bruksanvisningen viser bare trinnene for å klargjøre TV-en for veggmontering før den monteres på veggen.

### Til kunder:

Av hensyn til produktets beskyttelse og sikkerheten, anbefaler Sony sterkt at TV-en installeres av Sony-forhandlere eller autoriserte montører. Ikke forsøk å installere den selv.

### Til Sony-forhandlere og -montører:

Legg spesielt merke til sikkerheten under installasjonen, periodisk vedlikehold og ved undersøkelse av dette produktet.

Tilstrekkelig ekspertise er nødvendig for å installere dette produktet, spesielt for å fastslå at veggen kan bære TV-ens vekt. Overlat monteringen av dette produktet til Sony-forhandlere eller autoriserte montører, og vær spesielt oppmerksom på sikkerheten under installasjon. Sony er ikke ansvarlig for eventuell skade eller personskade forårsaket av feil behandling eller installasjon.

Bruk Veggmonteringsbrakett SU-WL450 (medfølger ikke) for å montere TV-en på veggen.

Ved montering av Veggmonteringsbraketten kan du også se Bruksanvisningen og Installasjonsveiledningen som fulgte med Veggmonteringsbraketten.

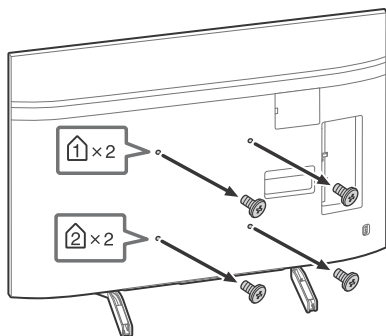
### Merknader

- Sørg for at skruene du har fjernet blir oppbevart på en trygg plass, utenfor barns rekkevidde.



For instruksjoner om montering av Veggmonteringsbrakett, se monteringsinformasjon (Veggmonteringsbrakett) på produktsiden for din TV-modell.  
[www.sony.eu/support/](http://www.sony.eu/support/)

## Fjern skruene fra baksiden av TVen.

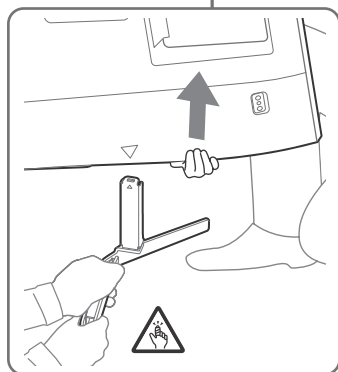
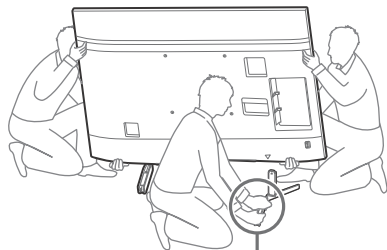




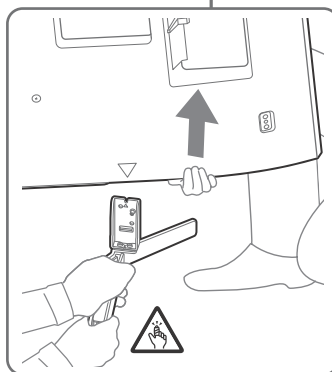
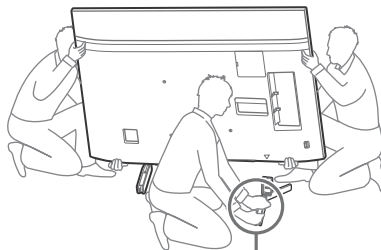
## Demontere bordstativet fra TV-en

- 1 Fjern den ene siden av bordstativet om gangen. Hold bordstativet godt fast med begge hender mens den andre personen løfter opp TV-en.

KD-85XG85xx



KD-75/65/55XG87xx, KD-75/65/55XG85xx



- 2 Gjenta det forrige trinnet og fjern den andre siden av bordstativet.

### Merknader

- Tre eller flere personer er nødvendig for å løsne bordstativet.
- Vær forsiktig så du ikke bruker for mye kraft når bordstativet løsnes fra TV-en, da dette kan medføre at TV-en faller ned og også medføre personskader eller fysiske skader på TV-en.
- Vær forsiktig ved håndtering av bordstativet for å hindre skader på TV-en.
- Vær forsiktig når TV-en løftes, da bordstativet er løst, bordstativet kan vippe over og medføre personskader.
- Vær forsiktig når bordstativet fjernes fra TV-en for å hindre at det faller ned og skader overflaten på TV-en som det er festet til.

NO

## Feilsøking

Generell feilsøking for problemer som: svart skjerm, ingen lyd, frosset bilde, TV reagerer ikke, eller nettverk mistet, utfør følgende steg.

- 1 Start TV-en din på nytt ved å trykke strømknappen på fjernkontrollen til en melding vises. TV-en vil starte på nytt. Hvis TV-en ikke starter, prøv å trekke ut strømledningen. Trykk deretter på strømknappen på TV-en og vent i to minutter, og sett inn strømledningen igjen.
- 2 Se Hjelpmenyen ved å trykke **HELP** på fjernkontrollen.
- 3 Koble TV-en din til internett og utfør en programvareoppdatering. Sony anbefaler at du holder TV-ens programvare oppdatert. Programvareoppdateringer gir nye funksjoner og bedre ytelse.
- 4 Gå til Sonys supportnettside (informasjon oppgitt på fremre omslag på denne håndboken).

**Når du kobler til TV-en kan det hende at den ikke er i stand til å slå seg på på en stund selv om du trykker på strømknappen på fjernkontrollen eller TV-en.**

Det tar tid å starte opp systemet. Vent omtrent ett minutt, og prøv deretter igjen.

## Problemer og løsninger

**Når LED-lyset blinker rødt.**

- Tell hvor mange ganger det blinker (intervalltiden er tre sekunder).  
Tilbakestill TV-en ved å koble strømledningen fra inntil LED-lyset slutter å blinke rødt, og deretter slå på TV-en.  
Hvis problemet vedvarer, koble du strømledningen fra og kontakter forhandleren din eller Sony servicesenter, og oppgir hvor mange ganger LED-lyset blinker.

**Land-/kabeltjeneste kan ikke mottas.**

- Kontroller antenne-/kabelforbindelsene og forsterkerinnstillinger.
- Velg land-/kabeltjeneste ved å trykke **TV** på fjernkontrollen, og velg deretter [Digital] hvis kringkastings-tjenesten ikke vises.
- Landsignal kan undertrykkes hvis det finnes et sterkt signal i nærheten. Sett [LNA (Kanal ---)] til [Av] i digitale innstillinger.

- Etter å ha flyttet til et nytt hus, eller forsøk på å motta nye tjenester, prøv et tjenestesøk ved å velge [Digital søking].

**Satellitttjeneste kan ikke mottas.**

- Kontroller satellittkabelforbindelsen.
- Når meldingen [Ikke signal. LNB er overbelastet...] vises, kobles strømledningen fra. Sikre deretter at satellittkabelen ikke er skadet og at satellittsignallinjen ikke har kortslettet i satellittkoblingen.

**Fjernkontrollen virker ikke.**

- Skift batteriene.

**Foreldrelås for kringkastings-passord har blitt glemt.**

- Velg 9999 som PIN-kode og velg [Endre PIN-kode].

**Utsiden av TV-en blir varm.**

- Utsiden av TV-en blir varm når TV-en har vært i bruk i en lengre periode. Du kan føle varmen når du berører dette området.

## Spesifikasjoner

### System

Skjermssystem

LCD (Liquid Crystal Display = skjerm med flytende krystaller), LED-baklys

TV-system

Avhengig av land / område valg / TV-modell

Analog: B/G, D/K, I

Digital: DVB-T/DVB-C  
DVB-T2\*

Satellitt\*: DVB-S/DVB-S2

Fargesystem

PAL/SECAM/NTSC3.58 (Kun video)/NTSC4.43 (Kun video)

Kanaldekning

Avhengig av land / område valg / TV-modell

Analog: UHF/VHF/kabel

Digital: UHF/VHF/kabel

Satellitt\*: IF-frekvens 950-2150 MHz

Lydutgang

10 W + 10 W

Trådløs teknologi

Protokoll IEEE802.11ac/a/b/g/n

(IEEE802.11ac er kanskje ikke tilgjengelig avhengig av land/region.)

Bluetooth versjon 4.2

Frekvensbånd

Trådløst LAN (IEEE802.11ac/a/b/g/n)	
Frekvensbånd	Utgangseffekt
2400-2483,5 MHz	< 20,0 dBm
5150-5250 MHz	< 23,0 dBm
5250-5350 MHz	< 20,0 dBm
5470-5725 MHz	< 20,0 dBm
5725-5850 MHz	< 13,9 dBm

Bluetooth	
Frekvensbånd	Utgangseffekt
2400-2483,5 MHz	< 10,0 dBm

RFM-TX600E/TX500E

Bluetooth	
Frekvensbånd	Utgangseffekt
2400-2483,5 MHz	< 10,0 dBm

### Programvareversjon

Dette radioutstyret er ment å brukes sammen med den godkjente programvareversjonen som er angitt i EU-samsvarserklæringen.

Trykk **HELP** på fjernkontrollen for å finne programvareversjonen.

Fjernkontroll: \_\_\_\_\_

Velg [Fjernkontroll] → [Programvareversjon] fra [Innstillinger].

For mer informasjon, se hjelpeveiledning.

Programvaren i dette radioutstyret er verifisert for å overholde de grunnleggende kravene i direktivet 2014/53/EU.

### Inngangs-/utgangskontakter

#### Antenne/kabel

75 ohm ekstern terminal for VHF/UHF

#### Satellittmottaker<sup>1</sup>

Hunn F-kontakt, 75 ohm.

DiSEqC 1.0, LNB 13 V/18 V og 22 kHz tone, Distribusjon med én kabel EN50494.

#### COMPONENT IN

YPbPr (komponent video): 1080p (50, 60 Hz), 1080i (50, 60 Hz),

720p (50, 60 Hz), 576p, 576i, 480p, 480i

Lydingang (phonoplugg)

#### AV IN

Videoinngang (felles phonopinne med Y-inngang)

HDMI IN 1/2/3/4 (støtter 4K-oppløsning, HDCP

2.3-kompatibel)

Video:

4096 × 2160p (50, 60 Hz)<sup>2,3</sup>, 4096 × 2160p (24 Hz)<sup>2</sup>, 3840 × 2160p (50, 60 Hz)<sup>2,3</sup>, 3840 × 2160p (24, 25, 30 Hz), 1080p (30, 50, 60 Hz), 1080/24p, 1080i (50, 60 Hz), 720p (30, 50, 60 Hz), 720/24p, 576p, 480p, PC-format<sup>4</sup>

Lyd:

1 eARC (Enhanced Audio Return Channel)-modus<sup>5</sup>

Se hjelpeveiledning for nærmere informasjon.

Unntatt eARC-modus

5,1 kanal lineær PCM: 32/44,1/48/88,2/96/176,4/192 kHz

16/20/24 biter, Dolby Digital, Dolby Digital Plus, DTS

eARC/ARC (Enhanced Audio Return Channel/Audio Return Channel) (kun HDMI IN 3)

1 eARC-modus<sup>5</sup>

Se hjelpeveiledning for nærmere informasjon.

1 ARC-modus

Tokanals lineær PCM: 48 kHz 16 biter, Dolby Digital, Dolby

Digital Plus, DTS

#### DIGITAL AUDIO OUT (OPTICAL)

Digital optisk kontakt (tokanals lineær PCM: 48 kHz 16 biter,

Dolby Digital, DTS)

#### (minijack, stereo)

Hodetelefon

#### SSD 3 (HDD REC)<sup>6</sup>

USB-enhetsport (SSD) 3 USB HDD-enhet for REC-funksjon)

USB-port 1 og 2 støtter høyhastighets USB (USB 2.0)

USB-port 3 støtter superrask USB (USB 3.1 Gen 1)



CAM-spør (Conditional Access Module)

#### LAN

10BASE-T/100BASE-TX-kontakt (Tilkoblingsshastigheten kan variere avhengig av driftsmiljøet til nettverket.

Kommunikasjonshastighet og kvalitet garanteres ikke.)

### Annet

#### Tilleggsutstyr

Veggmonteringsbrakett: SU-WL450

Driftstemperatur

0 °C – 40 °C

Driftsluffuktighet

10 % – 80 % relativ fuktighet (ikke-kondenserende)

### Strøm, produktmikrokort og annet

#### Strømkraft

220 V – 240 V vekselstrøm, 50 Hz

#### Energieffektivitetsklasse

KD-85XG85xx: A

KD-75XG87xx / KD-75XG85xx: A+

KD-65XG87xx / KD-65XG85xx: A

KD-55XG87xx / KD-55XG85xx: A

#### Skjermstørrelse (målt diagonalt) (ca.)

KD-85XG85xx: 214,8 cm / 85 tommer

KD-75XG87xx / KD-75XG85xx: 189,3 cm / 75 tommer

KD-65XG87xx / KD-65XG85xx: 163,9 cm / 65 tommer

KD-55XG87xx / KD-55XG85xx: 138,8 cm / 55 tommer

#### Strømforbruk

1 [Standard]-modus

KD-85XG85xx: 216 W

KD-75XG87xx / KD-75XG85xx: 158 W

KD-65XG87xx / KD-65XG85xx: 127 W

KD-55XG87xx / KD-55XG85xx: 111 W

1 [Dynamisk]-modus

KD-85XG8596: 362 W

KD-75XG8796: 275 W

KD-75XG8599: 275 W

KD-75XG8596: 275 W

KD-75XG8588: 275 W

KD-75XG8505: 275 W

KD-65XG8796: 221 W

KD-65XG8599: 221 W

KD-65XG8596: 221 W

KD-65XG8588: 221 W

KD-65XG8577: 221 W

KD-65XG8505: 221 W

KD-55XG8796: 186 W

KD-55XG8599: 186 W

KD-55XG8596: 186 W

KD-55XG8588: 186 W

KD-55XG8577: 186 W

KD-55XG8505: 186 W

#### Årlig energiforbruk<sup>7</sup>

KD-85XG85xx: 300 kWh per år

KD-75XG87xx / KD-75XG85xx: 219 kWh per år

KD-65XG87xx / KD-65XG85xx: 176 kWh per år

KD-55XG87xx / KD-55XG85xx: 154 kWh per år

#### Strømforbruk i hvilemodus<sup>8,9</sup>

0,50 W (25 W i programvare-/EPG-oppdateringsmodus)

#### Skjermoppløsning

3840 punkter (horisontalt) × 2160 linjer (vertikalt)

#### Nominell effekt

USB 1/2

5 V  $\overline{\text{---}}$ , 500 mA MAKS.

USB 3

5 V  $\overline{\text{---}}$ , 900 mA MAKS.

### Mål (ca.) (b × h × d)

#### med bordstativ

KD-85XG85xx: 190,9 × 117,5 × 43,3 cm

KD-75XG87xx / KD-75XG85xx: 167,3 × 103,1 × 35,8 cm

KD-65XG87xx / KD-65XG85xx: 145,0 × 89,9 × 31,6 cm

KD-55XG87xx / KD-55XG85xx: 123,1 × 77,6 × 31,6 cm

#### uten bordstativ

KD-85XG85xx: 190,9 × 109,7 × 8,0 cm

KD-75XG87xx / KD-75XG85xx: 167,3 × 96,3 × 5,4 cm

KD-65XG87xx / KD-65XG85xx: 145,0 × 83,6 × 5,2 cm

KD-55XG87xx / KD-55XG85xx: 123,1 × 71,3 × 5,2 cm

### Vekt (ca.)

#### med bordstativ

KD-85XG85xx: 49 kg

KD-75XG87xx / KD-75XG85xx: 39,3 kg

KD-65XG87xx / KD-65XG85xx: 26,3 kg

KD-55XG87xx / KD-55XG85xx: 19,7 kg

NO

## uten bordstativ

KD-85XG85xx: 46,5 kg  
KD-75XG87xx / KD-75XG85xx: 37,8 kg  
KD-65XG87xx / KD-65XG85xx: 25,3 kg  
KD-55XG87xx / KD-55XG85xx: 18,7 kg

- \*1 Ikke alle TV-apparater har DVB-T2-, eller DVB-S- / S2-teknologi eller satellittantenneterminal.
- \*2 Når det tilføres 4096 × 2160p på inngangen og [Bred modus] er innstilt på [Normal], vil oppløsningen vises som 3840 × 2160p. For å vise 4096 × 2160p, settes [Bred modus] innstillingen på [Full 1] eller [Full 2].
- \*3 For å støtte 18 Gbps innstilles [HDMI-signalformat] til [Forbedret format].
- \*4 Se Hjelpveiledning for nærmere informasjon.
- \*5 eARC-modus er aktiv når [eARC-modus] er satt til [Auto], [Høyttaler] er satt til [Lydsystem] og et eARC-kompatibelt lydsystem er tilkoblet.
- \*6 Kun i begrenset region/land/TV-modell.
- \*7 Energiforbruk i kWh per år, basert på TV-ens strømforbruk når den brukes 4 timer om dagen i 365 dager. Det faktiske energiforbruket vil avhenge av hvordan fjernsynet brukes.
- \*8 Spesifisert strømforbruk i hvilemodus nås etter at TV-en har avsluttet nødvendige interne prosesser.
- \*9 Strømforbruk i hvilemodus vil øke når TV-en er koblet til nettverket.

## Merknader


- Ikke ta dummy-kortet eller dekslet ut av TV CAM-sporet (Conditional Access Module) (tilgjengelighet avhenger av TV-modellen) for noen annen årsak enn for å sette inn et smartkort i CAM-sporet.
- Tilgjengeligheten til tilleggsstyr avhenger av land/region/TV-modell/lagerstatus.
- Design og spesifikasjoner kan endres uten varsel.

## Merknader til digital TV-funksjon

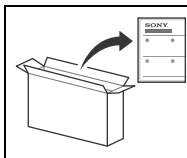
- Digital-TV (DVB bakke, satellitt og kabel), interaktive tjenester og nettverksfunksjoner vil kanskje ikke være tilgjengelige i alle land eller regioner. Noen funksjoner er muligens ikke aktivert eller vil kanskje ikke virke korrekt hos noen leverandører og i noen nettverksmiljøer. Noen TV-tjenesteleverandører vil kunne kreve gebyr for tjenestene sine.
- Denne TV-en støtter digital kringkasting med kodekener MPEG-2, H.264/MPEG-4 AVC og H.265/HEVC, men kompatibilitet kan ikke garanteres med alle operatør-/tjenestesignaler, da de disse vil kunne endres med tiden.

## Varemerker

- Uttrykkene HDMI og HDMI High-Definition Multimedia Interface, og HDMI-logoen, er varemerker eller registrerte varemerker som tilhører HDMI Licensing Administrator, Inc. i USA og andre land.
- Dolby, Dolby Vision, Dolby Audio og dobbel-D-symbolet er varemerker som tilhører Dolby Laboratories. Produsert på lisens fra Dolby Laboratories. Konfidensielt og upublisert arbeid. Opphavsrett © 1992-2015 Dolby Laboratories. Alle rettigheter forbeholdes.
- "BRAVIA", BRAVIA og BRAVIA Sync er varemerker eller registrerte varemerker for Sony Corporation.
- Gracenote, Gracenote-logoen og logoens skrift, og "Powered by Gracenote"-logoen er enten registrerte varemerker eller varemerker for Gracenote, Inc. i USA og/eller andre land.
- Vewd® Core. Copyright 1995-2019 Vewd Software AS. All rights reserved.
- Google, Google Play, Chromecast, YouTube, Android TV og andre relaterte merker og logoer er varemerker tilhørende Google LLC.
- Wi-Fi®, Wi-Fi Alliance® og Wi-Fi Direct® er registrerte varemerker som tilhører Wi-Fi Alliance.
- Wi-Fi CERTIFIED™ logoen er et sertifiseringsmerke for Wi-Fi Alliance.
- For DTS-patenter, se <http://patents.dts.com>. Fremstilt under lisens fra DTS, Inc. DTS, symbolet og DTS og symbolet sammen er registrerte varemerker, og DTS Digital Surround er et varemerke for DTS, Inc. © DTS, Inc. Alle rettigheter forbeholdes.
- Bluetooth®-merket og logoene er registrerte varemerker som eies av Bluetooth SIG, Inc., og all bruk av slike merker av Sony Corporation, er under lisens. Andre varemerker og varemerkenavn tilhører sine respektive eiere.
- Netflix er et registrert varemerke for Netflix, Inc.

- DiSEqC™ er et varemerke for EUTELSAT. Denne TV-en støtter DiSEqC 1.0. Denne TV-en er ikke ment for å kontrollere motoriserte antenner.
- TUXERA er et registrert varemerke for Tuxera Inc. i USA og andre land.
- USB-IF SuperSpeed USB Trident-logoen er et registrert varemerke for USB Implementers Forum, Inc. 
- Alle andre varemerker eies av de respektive eierne.





Aby zamontować, należy  
zapoznać się z  
Przewodnikiem ustawień.

## Spis treści

WAŻNA UWAGA .....	2
Informacje dotyczące bezpieczeństwa. ....	3
Pilot i telewizor. ....	5
Schemat podłączeń .....	6
Montaż telewizora na ścianie .....	8
Używanie opcjonalnego Uchwytu ściennego .....	8
Odłączanie podstawy od telewizora. ....	9
Rozwiązywanie problemów .....	10
Problemy i rozwiązania .....	10
Dane techniczne .....	10

### Połączenie internetowe i poufność danych

Niniejszy produkt nawiązuje połączenie z Internetem podczas wstępnej konfiguracji niezwłocznie po podłączeniu do sieci w celu potwierdzenia połączenia internetowego, a następnie w celu skonfigurowania ekranu głównego. W trakcie takiego o każdego innego połączenia internetowego używany jest adres IP. Aby adres IP nie był w ogóle wykorzystywany, nie należy konfigurować funkcji bezprzewodowego połączenia z Internetem ani podłączać kabla internetowego. Zapoznaj się z informacjami o poufności przedstawionymi na ekranach konfiguracji, aby uzyskać więcej szczegółów na temat połączeń internetowych.

## Wprowadzenie

Dziękujemy, że wybrali Państwo produkt firmy Sony. Przed przystąpieniem do eksploatacji telewizora należy dokładnie zapoznać się z treścią niniejszej instrukcji oraz zachować ją do wykorzystania w przyszłości.

### Uwaga

- Przed przystąpieniem do eksploatacji telewizora należy zapoznać się z częścią „Informacje dotyczące bezpieczeństwa” (strona 3).
- Aby zapoznać się z dodatkowymi informacjami na temat bezpieczeństwa, przeczytaj dostarczony dokument Informacje dotyczące bezpieczeństwa.
- Zdjęcia i ilustracje użyte w Przewodniku ustawień i w tej instrukcji mają charakter jedynie poglądowy i mogą się różnić od rzeczywistego produktu.
- Znak „xx” widoczny obok nazwy modelu odpowiada wartości liczbowej powiązanej z projektem, kolorem lub systemem telewizyjnym.

### Pomoc

Więcej informacji o rozwiązywaniu problemów i inne użyteczne informacje są dostępne bezpośrednio w telewizorze. Naciśnij **HELP** na pilocie, aby wyświetlić listę tematów lub wyszukać je według słów kluczowych.

### Przewodnik pomocniczy (instrukcja)

Aby uzyskać więcej informacji, wybierz opcję [Przewodnik pomocniczy] w menu Pomoc w telewizorze. Można również skorzystać z Przewodnika pomocniczego na komputerze lub na smartfonie (więcej informacji na tylnej okładce niniejszej instrukcji).

### Lokalizacja etykiety identyfikacyjnej

Etykiety z numerem modelu, datą produkcji (rok i miesiąc) oraz specyfikacją elektryczną znajdują się z tyłu telewizora lub opakowania.

## WAŻNA UWAGA

### Informacja dotycząca sprzętu radiowego



Sony Visual Products Inc. niniejszym oświadcza, że typy urządzeń radiowych KD-85XG8596, KD-75XG8796, KD-75XG8599, KD-75XG8596, KD-75XG8588, KD-75XG8505, KD-65XG8796, KD-65XG8599, KD-65XG8596, KD-65XG8588, KD-65XG8577, KD-65XG8505, KD-55XG8796, KD-55XG8599, KD-55XG8596, KD-55XG8588, KD-55XG8577, KD-55XG8505 są zgodne z dyrektywą 2014/53/UE. Pełny tekst deklaracji zgodności UE jest dostępny pod następującym adresem internetowym:  
<http://www.compliance.sony.de/>

Informacja dla klientów: poniższe informacje mają zastosowanie wyłącznie do urządzeń w krajach stosujących dyrektywę UE.

Dla tego sprzętu radiowego zastosowanie mają poniższe ograniczenia dotyczące użytkowania lub wymóg uzyskania zezwolenia na użytkowanie obowiązujący w AT, BE, HR, CY, CZ, DK, EE, FI, FR, DE, EL, HU, IE, IT, LV, LT, LU, MT, NL, PL, PT, SK, SI, ES, SE, UK, IS, LI, NO, CH, BG, RO, TR, AL, BA, MK, MD, RS, ME, Kosovo : pasmo 5 150 - 5 350 MHz jest ograniczone wyłącznie do zastosowań wewnątrz pomieszczeń.

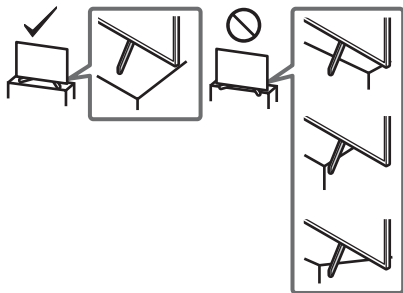
## Informacje dotyczące bezpieczeństwa

### Montaż i instalacja

Aby uniknąć ryzyka wybuchu pożaru, porażenia prądem elektrycznym, uszkodzenia sprzętu i/lub ewentualnych obrażeń ciała, odbiornik TV należy zainstalować zgodnie z instrukcjami podanymi poniżej.

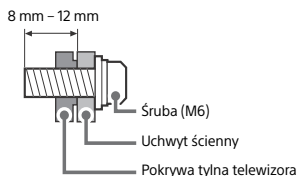
#### Instalacja

- Telewizor powinien być zainstalowany w pobliżu łatwo dostępnego gniazdka.
- Ustaw telewizor na stabilnej, równej powierzchni tak, aby zapobiec ryzyku jego przewrócenia i spowodowania obrażeń ciała lub uszkodzenia mienia.
- Zainstaluj telewizor w miejscu, w którym nie może zostać pociągnięty, popchnięty lub przewrócony.
- Zainstaluj telewizor w taki sposób, aby podstawa telewizora nie wystawała poza stojak (nie należy do wyposażenia). Jeśli podstawa telewizora wystaje poza stojak, może to spowodować przewrócenie i upadek telewizora, a w efekcie obrażenia osobiste lub uszkodzenie telewizora.

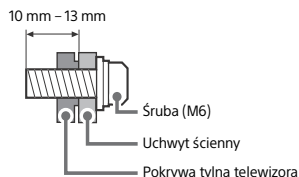


- Montaż uchwyty na ścianie należy zlecić wykwalifikowanemu instalatorowi.
- Ze względów bezpieczeństwa zaleca się stosowanie akcesoriów Sony:
  - Uchwyt ścienny SU-WL450
- Podczas montażu Uchwytu ściennego do telewizora należy używać śrub dostarczonych razem z Uchwytami ściennymi. Dostarczone śruby są zaprojektowane w sposób pokazany na ilustracji w przypadku pomiaru od powierzchni mocującej Uchwytu ściennego. Średnica i długość śrub różnią się w zależności od modelu Uchwytu ściennego. Stosowanie śrub innych niż dostarczane w komplecie może spowodować uszkodzenia wewnętrzne w odbiorniku TV, jego upadek, itp.

#### KD-85XG85xx



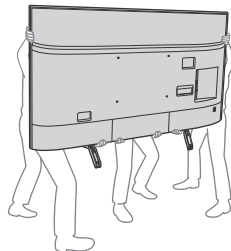
#### KD-75/65/55XG87xx, KD-75/65/55XG85xx



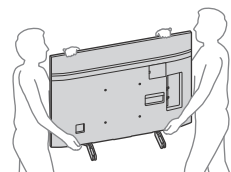
#### Transport

- Przed rozpoczęciem przenoszenia odbiornika należy odłączyć od niego wszystkie kable.
- Do przenoszenia dużego odbiornika TV potrzeba dwóch lub więcej osób (trzech lub więcej w przypadku KD-85XG85xx).
- Przenosząc telewizor w rękach, należy go trzymać tak jak na rysunku. Nie wolno naciskać ekranu ciekłokrystalicznego ani ramy dookoła ekranu.
- Przy podnoszeniu lub przenoszeniu telewizora należy go dobrze chwycić od spodu.

#### KD-85XG85xx



#### KD-75/65/55XG87xx, KD-75/65/55XG85xx

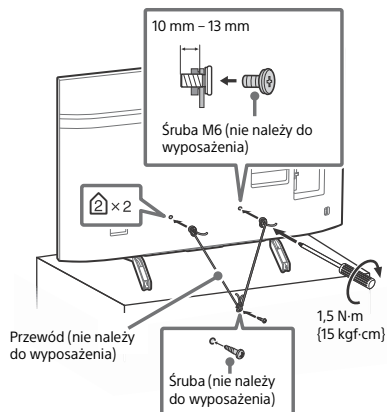
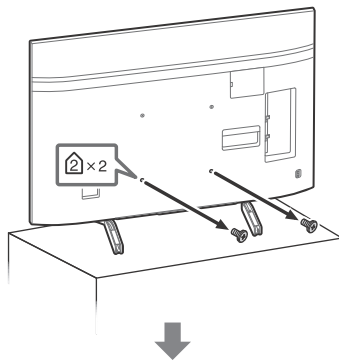
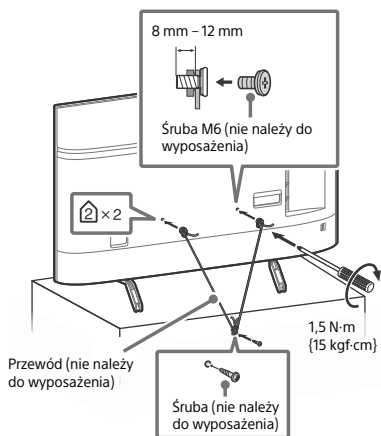
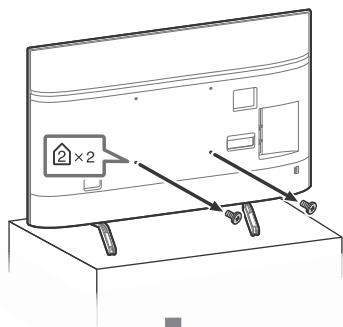


- Podczas transportu odbiornik nie powinien być narażony na wstrząsy mechaniczne i nadmierne wibracje.
- Na czas transportu odbiornika do naprawy lub podczas przeprowadzki, należy zapakować go w oryginalny karton i elementy opakowania.

# Zabezpieczenie przed przewróceniem

KD-75/65/55XG87xx, KD-75/65/55XG85xx

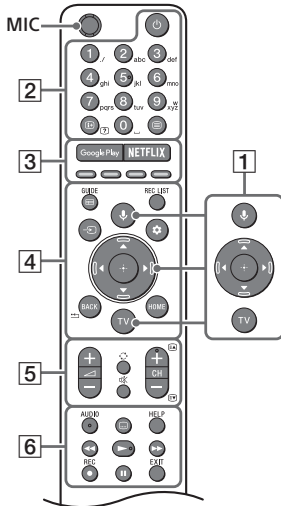
KD-85XG85xx





# Pilot i telewizor

Kształt, rozkład, dostępność i działanie funkcji przycisków pilota mogą się różnić w zależności od regionu/kraju/modelu telewizora.



- 1** **🎤 (Mikrofon):** Używanie wyszukiwania głosowego. (Przykładowo: wyszukiwanie treści za pomocą poleceń głosowych.)\*<sup>1</sup>  
**▲/▼/◀/▶/⊕/⊖ (Panel nawigacyjny D-Pad):** Nawigacja w menu ekranowym i wybór opcji.  
**TV:** Przełączenie się na kanał lub wejście telewizyjne i wyświetlenie menu telewizora.

- 2** **🔌 (Czuwanie)**  
**Przyciski numeryczne**  
**📄/? (Wyświetlanie informacji/tekstu):** Wyświetlanie informacji.  
**📄 (Tekst):** Wyświetlanie informacji tekstowych.

- 3** **Google Play**  
**NETFLIX (Wyłącznie w przypadku niektórych regionów/krajów/modeli telewizora)**  
**Kolorowe przyciski**

- 4** **GUIDE/☰:** Wyświetlanie cyfrowego przewodnika po programach lub EPG dekodera telewizji kablowej/satelitarnej\*<sup>2</sup>.

**REC LIST:** Wyświetlenie listy nagrań urządzenia USB HDD lub DVR\*<sup>2</sup>.

→ **(Wybór wejścia):** Wyświetlanie i wybieranie źródła sygnału wejściowego itp.

**⚙️ (Szybkie ustawienia):** Wyświetlenie szybkich ustawień.

**BACK/◀️**

**HOME**

- 5** **🔊 +/- (Głośność)**

**⏪ (Przejsięcie)**

**⌘ (Wyciszenie)**

**Wskazówka**

- Skrót do tej funkcji można włączać lub wyłączać poprzez naciśnięcie i przytrzymanie przycisku ⌘.

**CH +/-/⏪/⏩**

W trybie TV: Wybór kanału.

W trybie tekstowym: Wybór następczej (⏪) lub poprzedniej (⏩) strony.

- 6** **AUDIO:** Wybór dźwięku źródła wielojęzycznego lub podwójnego dźwięku (w zależności od źródła programu).

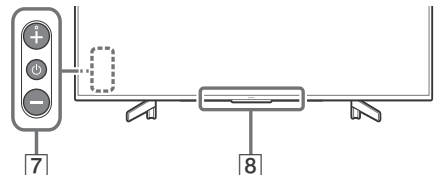
**⋮ (Tryb napisów)**

**HELP:** Wyświetlenie menu pomocy.

**◀️/▶️/⏪/⏩**

- **REC:** Nagrywanie aktualnie oglądanego programu na dysku USB HDD lub urządzeniu DVR\*<sup>2</sup>.

**EXIT**



- 7** **🔌 (Włącznik)**

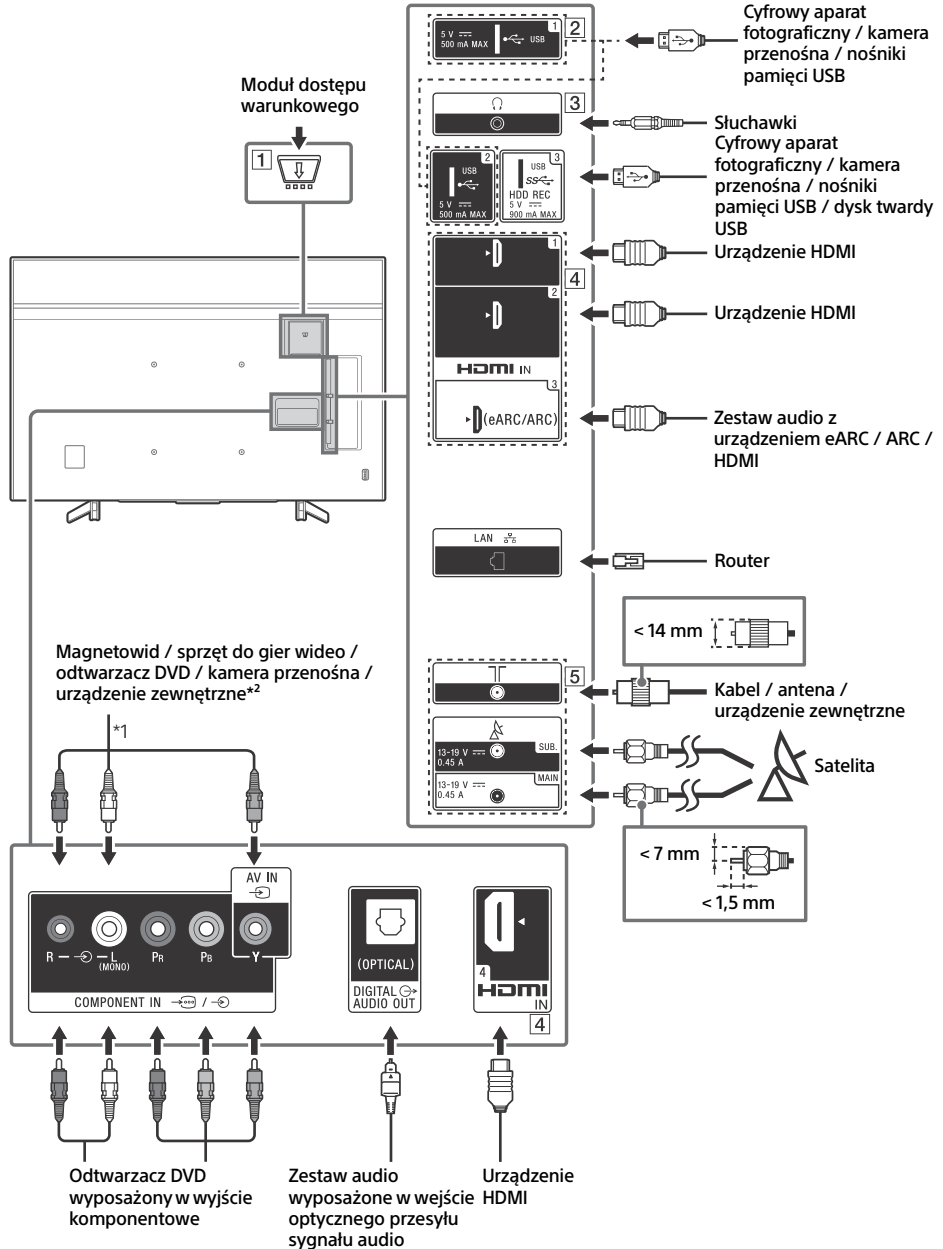
- 8** **Czujnik pilota zdalnego sterowania / Czujnik światła / Dioda LED**

\*<sup>1</sup> Funkcja wyszukiwania głosowego wymaga połączenia z Internetem.

\*<sup>2</sup> Ustawienie [Konfiguracja dekodera telewizji kablowej lub satelitarnej] jest wymagane (wyłącznie w przypadku niektórych regionów/krajów/modeli telewizora). Dodatkowe informacje można znaleźć w Przewodniku pomocniczym.

# Schemat połączeń

Więcej informacji dotyczących połączeń można znaleźć w Przewodniku pomocniczym, naciskając przycisk **HELP** na pilocie.



## 1 CAM (moduł dostępu warunkowego)

- Zapewnia dostęp do płatnych usług TV. Szczegóły zawarto w instrukcji obsługi modułu CAM.
- Karty smart card nie należy bezpośrednio podłączać do złącza TV CAM. Kartę należy najpierw umieścić w module dostępu warunkowego dostarczonym przez autoryzowanego sprzedawcę.
- Moduły CAM nie są obsługiwane w niektórych krajach/obszarach. Szczegółowych informacji udzielają autoryzowani sprzedawcy.
- Komunikat CAM może zostać wyświetlony po wybraniu programu cyfrowego po zakończeniu korzystania z funkcji przeglądania filmów w Internecie.

## 2 USB 1/2, USB 3 (HDD REC)\*3

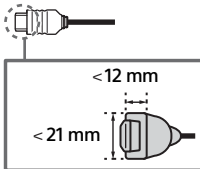
- Podłączenie dużego urządzenia USB może zakłócić pracę innych podłączonych urządzeń w pobliżu.
- Duże urządzenia USB należy podłączać do złącza USB 1.
- Dysk twardy USB należy podłączyć do portu USB 3 (niebieski).

## 3 (Słuchawki)

- Obsługuje wyłącznie 3-biegunowe miniaturowe wtyczki stereo typu minijack.
- Nie można jednocześnie odtwarzać dźwięku zarówno na słuchawkach, jak i na głośnikach telewizora.

## 4 HDMI IN 1/2/3/4

- Interfejs HDMI pozwala na przesyłanie cyfrowego sygnału wideo i audio pojedynczym kablem.



- Aby odtwarzać treści w wysokiej jakości 4K 50p/60p, podłącz kabel Premium High Speed HDMI i ustaw opcję [Format sygnału HDMI] na wartość [Ulepszony format].  
Zmień to ustawienie oddzielnie dla każdego podłączonego portu HDMI IN. Szczegółowe informacje o obsługiwanych formatach zawiera część „Dane techniczne” w niniejszej instrukcji (strona 10-12).
- **HDMI IN 3 eARC/ARC (Enhanced Audio Return Channel/Audio Return Channel)**  
Podłącz zestaw audio do HDMI IN 3, aby doprowadzić dźwięk telewizora do zestawu audio. Zestaw audio obsługujący HDMI eARC/ARC umożliwi przesyłanie sygnału wideo do telewizora oraz odbieranie sygnału audio z telewizora za pomocą tego samego kabla HDMI. Jeśli zestaw audio nie obsługuje HDMI eARC/ARC, konieczne jest dodatkowe połączenie z DIGITAL AUDIO OUT (OPTICAL).
- Aby połączyć system audio z eARC, należy użyć kabla HDMI z funkcją Ethernet.



## 5 (Wejście RF), (Wejście satelitarne)

- Podłączenia sygnału naziemnego/kablowego i satelitarnego. Kolejność podłączeń: SUB. → MAIN → Antena
- Gniazdo SUB. należy podłączyć wyłącznie, jeżeli wykorzystywany jest tryb podwójnego tunera, z wyjątkiem dystrybucji za pomocą pojedynczego kabla EN50494.

\*1 Urządzenia monofoniczne należy podłączać do gniazda audio L (MONO).

\*2 W przypadku urządzenia zewnętrznego, w którym dostępne jest jedynie wyjście SCART AV OUT, użyj adaptera SCART-RCA.

\*3 Wyłącznie w przypadku niektórych regionów/krajów/modeli telewizora.

# Montaż telewizora na ścianie

## Używanie opcjonalnego Uchwyty ściennego

Instrukcja obsługi tego telewizora zawiera czynności przygotowania telewizora do zawieszenia na ścianie.

### Do klientów:

Ze względu na ochronę produktu i zapewnienie bezpieczeństwa firma Sony zaleca, aby montaż tego telewizora był wykonywany przez przedstawicieli firmy Sony lub licencjonowanych wykonawców. Nie próbować wykonywać montażu samodzielnie.

### Do dystrybutorów firmy Sony i licencjonowanych wykonawców:

Zwracać uwagę na bezpieczeństwo podczas montażu, konserwacji okresowej i sprawdzania tego produktu.

Do zamontowania tego produktu wymagane jest odpowiednie doświadczenie, szczególnie w celu oceny, czy ściana jest odpowiednio wytrzymała, aby unieść ciężar telewizora. Należy powierzać montaż tego produktu na ścianie przedstawicielom firmy Sony lub licencjonowanym wykonawcom i zwracać uwagę na bezpieczeństwo podczas montażu. Firma Sony nie ponosi żadnej odpowiedzialności za uszkodzenia lub obrażenia spowodowane nieprawidłową obsługą lub montażem.

Za pomocą Uchwyty ściennego SU-WL450 (nie należy do wyposażenia) telewizor można zamontować na ścianie.

Podczas montażu Uchwyty ściennego korzystają również z Instrukcji obsługi i Instrukcji montażu dostarczonych z Uchwytem ściennym.

### Uwaga

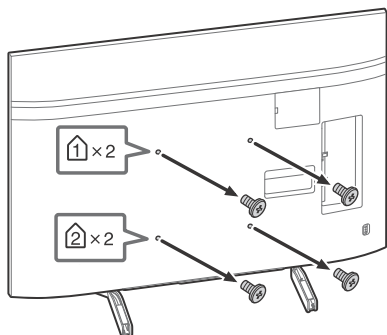
- Przechowywać wykręcone śruby w bezpiecznym miejscu, z dala od dzieci.



Aby uzyskać instrukcje montażu Uchwyty ściennego, zobacz Informacje dotyczące montażu (Uchwyty ścienny) na stronie produktu swojego modelu telewizora.

[www.sony.eu/support/](http://www.sony.eu/support/)

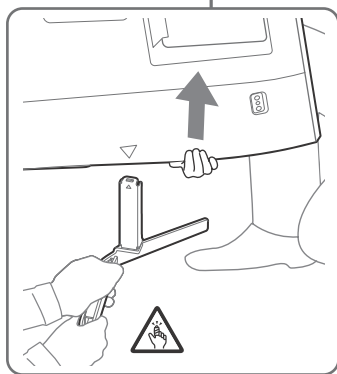
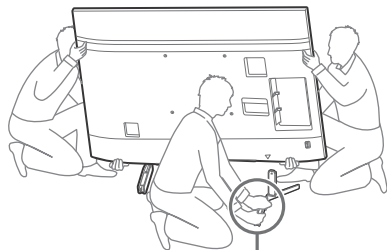
Odkręć śruby z tylnego panelu telewizora.



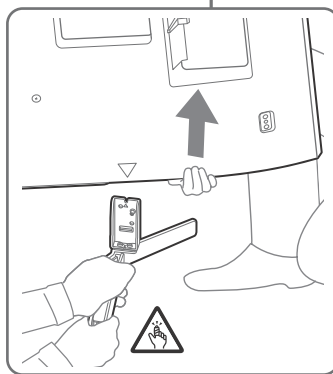
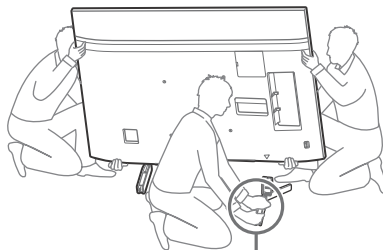
## Odłączanie podstawy od telewizora

- 1 Usuń boki podstawy pojedynczo. Chwyć podstawę mocno obiema rękami, a pozostałe osoby powinny podnieść telewizor.

KD-85XG85xx



KD-75/65/55XG87xx, KD-75/65/55XG85xx



- 2 Powtórz poprzednią czynność i usuń drugi bok podstawy.

### Uwaga

- Odłączenie podstawy wymaga współdziałania przynajmniej trzech osób.
- Należy uważać, aby nie użyć nadmiernej siły przy odłączaniu podstawy od telewizora, gdyż może to spowodować upadek telewizora i doprowadzić do obrażeń ciała lub fizycznego uszkodzenia telewizora.
- Zachować ostrożność podczas obsługi podstawy, aby uniknąć uszkodzenia telewizora.
- Zachowaj ostrożność, unosząc telewizor i odłączając podstawę. Łatwo ją można przewrócić i spowodować obrażenia.
- Uważaj podczas odłączania podstawy od telewizora, aby nie spadła i nie uszkodziła powierzchni, na której stał odbiornik.

## Rozwiązywanie problemów

W celu rozwiązania ogólnych problemów, takich jak: czarny ekran, brak dźwięku, zawieszony obraz, brak reakcji telewizora lub utrata sygnału sieciowego, wykonaj następujące czynności.

- 1 Uruchom telewizor ponownie, naciskając przycisk zasilania na pilocie, aż zostanie wyświetlony komunikat. Telewizor zostanie uruchomiony. Jeżeli telewizor nie włącza się, spróbuj odłączyć przewód zasilania sieciowego. Następnie naciśnij włącznik zasilania na telewizorze, poczekaj dwie minuty i podłącz przewód zasilania sieciowego.
- 2 Zapoznaj się z menu Pomoc, naciskając przycisk **HELP** na pilocie.
- 3 Podłącz telewizor do Internetu i wykonaj aktualizację oprogramowania. Firma Sony zaleca aktualizację oprogramowania telewizora. Aktualizacje oprogramowania zawierają nowe funkcje i ulepszenia wydajności.
- 4 Odwiedź stronę wsparcia firmy Sony (informacje podane na pierwszej stronie okładki niniejszej instrukcji).

### Gdy telewizor zostanie podłączony, przez pewien czas może się nie włączyć pomimo naciskania przycisku zasilania na pilocie lub telewizorze.

Uruchomienie systemu wymaga trochę czasu. Należy odczekać jedną minutę, następnie spróbować włączyć telewizor ponownie.

## Problemy i rozwiązania

### Jeśli dioda LED miga na czerwono.

- Policz ile razy dioda zamiga (czas odstępu wynosi trzy sekundy).  
Uruchom telewizor ponownie, odłączając przewód zasilania sieciowego do momentu, aż dioda LED przestanie migać na czerwono, a następnie ponownie włącz telewizor.  
Jeśli problem nie zniknie, odłącz przewód sieciowy i skontaktuj się z lokalnym sprzedawcą lub punktem serwisowym firmy Sony, zgłaszając, ile razy migała dioda LED.

### Brak możliwości odbioru usługi naziemnej/kablowej.

- Sprawdź podłączenie anteny/kabla i ustawienia wzmacniacza.

- Wybierz sieć telewizji naziemnej/kablowej, naciskając przycisk **TV** na pilocie, a następnie, jeżeli usługa nadawania nie została wyświetlona, wybierz [Cyfrowy].
- Sygnał naziemny może być przytłumiony, jeśli w pobliżu odbierany jest inny silny sygnał. Ustaw opcję [LNA(Kan. ---)] na [Wył.] w sekcji ustawień strojenia cyfrowego.
- W przypadku przeniesienia telewizora do innego budynku lub próby odbioru nowych usług wyszukaj usługę wybierając opcję [Programowanie cyfrowe].

### Brak możliwości odbioru usługi satelitarnej.

- Sprawdź podłączenie kabla anteny satelitarnej.
- W przypadku wyświetlenia komunikatu [Brak sygnału. Wykryto przeciążenie LNB...] odłącz przewód sieciowy. Następnie sprawdź, czy kabel anteny satelitarnej nie jest uszkodzony, oraz czy nie nastąpiło zwarcie przewodu sygnału satelitarnego w złączu satelitarnym.

### Pilot nie działa.

- Wymień baterie.

### Zapomniano hasła do blokady rodzicielskiej transmisji.

- Wprowadź numer 9999 jako kod PIN i wybierz opcję [Zmień kod PIN].

### Otoczenie telewizora może się nagrzać.

- Jeśli telewizor jest używany przez dłuższy czas, jego otoczenie może się nagrzać. Po dotknięciu dłonią tych miejsc można poczuć, że są gorące.

## Dane techniczne

### System

System panelu

Panel z wyświetlaczem ciekłokrystalicznym (LCD),

Podświetlenie LED

System TV

W zależności od kraju/wybranego regionu/modelu telewizora

Analogowy: B/G, D/K, I

Cyfrowy: DVB-T/DVB-C

DVB-T2<sup>+</sup>

Satelita<sup>1</sup>: DVB-S/DVB-S2

System kolorów

PAL/SECAM/NTSC3.58 (tylko wideo)/NTSC4.43 (tylko wideo)

Zakres kanałów

W zależności od kraju/wybranego regionu/modelu telewizora

Analogowy: UHF/VHF/kabel

Cyfrowy: UHF/VHF/kabel

Satelita<sup>1</sup>: częstotliwość 950-2 150 MHz

Wyjście dźwięku

10 W + 10 W

Technologia bezprzewodowa

Protokół IEEE802.11ac/a/b/g/n

(Protokół IEEE802.11ac może nie być dostępny w niektórych krajach/regionach.)

Bluetooth ver. 4.2

## Pasma częstotliwości

Bezprzewodowa sieć LAN (IEEE802.11ac/a/b/g/n)	
Zakres częstotliwości	Moc wyjściowa
2 400-2 483,5 MHz	< 20,0 dBm
5 150-5 250 MHz	< 23,0 dBm
5 250-5 350 MHz	< 20,0 dBm
5 470-5 725 MHz	< 20,0 dBm
5 725-5 850 MHz	< 13,9 dBm

Bluetooth	
Zakres częstotliwości	Moc wyjściowa
2 400-2 483,5 MHz	< 10,0 dBm

## RFM-TX600E/TX500E

Bluetooth	
Zakres częstotliwości	Moc wyjściowa
2 400-2 483,5 MHz	< 10,0 dBm

## Wersja oprogramowania

Ten sprzęt radiowy jest przeznaczony do używania z zatwierdzonymi wersjami oprogramowania wskazanymi w niniejszej Deklaracji zgodności UE.

Naciśnij przycisk **HELP** na pilocie, aby sprawdzić wersję oprogramowania.

Pilot:

Wybierz [Zdalne sterowanie] → [Wersja oprogramowania] z [Ustawienia]. Dodatkowe informacje można znaleźć w Przewodniku pomocniczym.

Oprogramowanie wykorzystane w tym sprzęcie radiowym zostało zweryfikowane pod kątem zgodności z podstawowymi wymogami Dyrektywy 2014/53/UE.

## Gniazda wejścia/wyjścia

### Antena/kabel

75-omowa antena zewnętrzna VHF/UHF

### Antena satelitarna\*1

Żeńskie złącze typu F, 75 omów.

DiSEqC 1.0, LNB 13 V/18 V i sygnał 22 kHz, Dystr. za pomocą poj. kabla EN50494.

### COMPONENT IN

YPeP<sub>a</sub> (wideo komponentowe): 1080p (50, 60 Hz), 1080i (50, 60 Hz), 720p (50, 60 Hz), 576p, 576i, 480p, 480i

Wejście audio (złącza foniczne)

### AV IN

Wejście wideo (wspólny bolec foniczny z wejściem Y)

HDMI IN 1/2/3/4 (obsługuje rozdzielczość 4K, Zgodność z

HDCP 2.3)

Wideo:

4096 × 2160p (50, 60 Hz)\*<sup>2+3</sup>, 4096 × 2160p (24 Hz)\*<sup>2</sup>, 3840 × 2160p (50, 60 Hz)\*<sup>3</sup>, 3840 × 2160p (24, 25, 30 Hz), 1080p (30, 50, 60 Hz), 1080i/24p, 1080i (50, 60 Hz), 720p (30, 50, 60 Hz), 720i/24p, 576p, 480p, formaty komputerowe\*<sup>4</sup>

Audio:

W trybie eARC (Enhanced Audio Return Channel)\*<sup>5</sup>

Aby uzyskać szczegółowe informacje, zobacz Przewodnik pomocniczy.

Z wyjątkiem trybu eARC

5,1 kanałów, liniowe PCM: 32/44,1/48/88,2/96/176,4/

192 kHz 16/20/24 bity, Dolby Digital, Dolby Digital Plus, DTS

eARC/ARC (Enhanced Audio Return Channel/Audio Return Channel) (tylko model HDMI IN 3)

W trybie eARC\*<sup>5</sup>

Aby uzyskać szczegółowe informacje, zobacz Przewodnik pomocniczy.

W trybie ARC

Dwukanalowe liniowe PCM: 48 kHz 16 bity, Dolby Digital, Dolby Digital Plus, DTS

## DIGITAL AUDIO OUT (OPTICAL)

Cyfrowe gniazdo optyczne (dwukanalowe liniowe PCM: 48 kHz 16 bity, Dolby Digital, DTS)

(mini jack stereo)

Sluchawki

1, 2, 3 (HDD REC)\*<sup>6</sup>

Port urządzeń USB (Dysk twardy USB 3 dla funkcji REC)

Porty USB 1 i 2 obsługują standard High Speed USB (USB 2.0)

Port USB 3 obsługuje standard Super Speed USB (USB 3.1 Gen 1)

## Gniazdo CAM (moduł dostępu warunkowego)

## LAN

Gniazdo 10BASE-T/100BASE-TX (Prędkość połączenia zależy od parametrów sieci. Nie gwarantuje się prędkości i jakości transmisji.)

## Inne

Wypożyczenie dodatkowe

Uchwyt ścienny: SU-WL450

Temperatura robocza

0 °C – 40 °C

Wilgotność robocza

10% – 80% wilgotności względnej (bez kondensacji)

## Moc, karta produktu i inne

Wymagania dotyczące zasilania

220 V – 240 V (prąd zmienny), 50 Hz

Klasa efektywności energetycznej

KD-85XG85xx: A

KD-75XG87xx / KD-75XG85xx: A+

KD-65XG87xx / KD-65XG85xx: A

KD-55XG87xx / KD-55XG85xx: A

Wielkość ekranu (przekątna) (ok.)

KD-85XG85xx: 214,8 cm / 85 cali

KD-75XG87xx / KD-75XG85xx: 189,3 cm / 75 cali

KD-65XG87xx / KD-65XG85xx: 163,9 cm / 65 cali

KD-55XG87xx / KD-55XG85xx: 138,8 cm / 55 cali

Pobór mocy

W trybie [Standardowy]

KD-85XG85xx: 216 W

KD-75XG87xx / KD-75XG85xx: 158 W

KD-65XG87xx / KD-65XG85xx: 127 W

KD-55XG87xx / KD-55XG85xx: 111 W

W trybie [Żywy]

KD-85XG8596: 362 W

KD-75XG8796: 275 W

KD-75XG8599: 275 W

KD-75XG8596: 275 W

KD-75XG8588: 275 W

KD-75XG8505: 275 W

KD-65XG8796: 221 W

KD-65XG8599: 221 W

KD-65XG8596: 221 W

KD-65XG8588: 221 W

KD-65XG8577: 221 W

KD-65XG8505: 221 W

KD-55XG8796: 186 W

KD-55XG8599: 186 W

KD-55XG8596: 186 W

KD-55XG8588: 186 W

KD-55XG8577: 186 W

KD-55XG8505: 186 W

Roczne zużycie energii\*<sup>7</sup>

KD-85XG85xx: 300 kWh rocznie

KD-75XG87xx / KD-75XG85xx: 219 kWh rocznie

KD-65XG87xx / KD-65XG85xx: 176 kWh rocznie

KD-55XG87xx / KD-55XG85xx: 154 kWh rocznie

Pobór mocy w trybie czuwania\*<sup>8+9</sup>

0,50 W (25 W w trybie aktualizacji oprogramowania lub

elektronicznego przewodnika po programach)

Rozdzielczość ekranu

3 840 punktów (w poziomie) × 2 160 linii (w pionie)

Wartości znamionowe wyjścia

USB 1/2

maks. 5 V , 500 mA

USB 3

maks. 5 V , 900 mA

PL

## Wymiary (przybliżone) (szer. × wys. × gł.)

z podstawą

KD-85XG85xx: 190,9 × 117,5 × 43,3 cm  
KD-75XG87xx / KD-75XG85xx: 167,3 × 103,1 × 35,8 cm  
KD-65XG87xx / KD-65XG85xx: 145,0 × 89,9 × 31,6 cm  
KD-55XG87xx / KD-55XG85xx: 123,1 × 71,6 × 31,6 cm

bez podstawy

KD-85XG85xx: 190,9 × 109,7 × 8,0 cm  
KD-75XG87xx / KD-75XG85xx: 167,3 × 96,3 × 5,4 cm  
KD-65XG87xx / KD-65XG85xx: 145,0 × 83,6 × 5,2 cm  
KD-55XG87xx / KD-55XG85xx: 123,1 × 71,3 × 5,2 cm

## Waga (przybliżona)

z podstawą

KD-85XG85xx: 49 kg  
KD-75XG87xx / KD-75XG85xx: 39,3 kg  
KD-65XG87xx / KD-65XG85xx: 26,3 kg  
KD-55XG87xx / KD-55XG85xx: 19,7 kg

bez podstawy

KD-85XG85xx: 46,5 kg  
KD-75XG87xx / KD-75XG85xx: 37,8 kg  
KD-65XG87xx / KD-65XG85xx: 25,3 kg  
KD-55XG87xx / KD-55XG85xx: 18,7 kg

- \*1 Nie wszystkie modele telewizorów są wyposażone w technologię DVB-T2 lub DVB-S/S2, lub też terminal anteny satelitarnej.
- \*2 W przypadku podłączenia do wejścia z rozdzielczością 4096 × 2160p i opcji [Tryb szerokoekranowy] ustawionej na [Normalny] wybrana zostaje rozdzielczość wyświetlania 3840 × 2160p. Aby wyświetlać rozdzielczość 4096 × 2160p, opcję [Tryb szerokoekranowy] należy ustawić na [Pełny 1] lub [Pełny 2].
- \*3 Aby obsługiwać prędkość przesyłu 18 Gb/s, ustaw opcję [Format sygnału HDMI] na [Ulepszony format].
- \*4 Aby uzyskać szczegółowe informacje, zobacz Przewodnik pomocniczy.
- \*5 Tryb eARC jest aktywny, gdy opcja [Tryb eARC] jest ustawiona na [Automat.], opcja [Głośnik] jest ustawiona na [System audio] i podłączenie jest systemem audio kompatybilny z eARC.
- \*6 Wyłącznie w przypadku niektórych regionów/krajów/modeli telewizora.
- \*7 Zużycie energii w kWh rocznie, w oparciu o wyliczenie zużycia energii dla telewizora pracującego 4 godziny dziennie przez 365 dni w roku. Rzeczywiste zużycie energii zależy od sposobu korzystania z telewizora.
- \*8 Podany pobór mocy w trybie czuwania jest osiągnięty po zakończeniu wykonywania przez odbiornik TV wymaganych procesów wewnętrznych.
- \*9 Pobór mocy w trybie czuwania wzrośnie przy połączeniu telewizora z siecią.

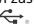
## Uwaga

- Nie wyjmuj atrapy karty lub pokrywy (dostępność w zależności od modelu telewizora) z gniazda CAM (Conditional Access Module, moduł dostępu warunkowego) telewizora w innym celu niż włożenie do gniazda CAM karty inteligentnej.
- Dostępność wyposażenia opcjonalnego zależy od kraju, regionu, modelu telewizora i stanu magazynowego.
- Projekt i dane techniczne mogą zostać zmienione bez powiadomienia.

## Informacje dotyczące telewizji cyfrowej

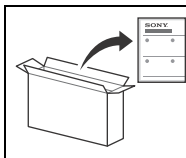
- Telewizja cyfrowa (naziemna DVB, satelitarna i kablowa), usługi interaktywne i funkcje sieciowe mogą nie być dostępne we wszystkich krajach lub obszarach. Niektóre funkcje mogą nie być włączone lub mogą nie działać poprawnie w przypadku niektórych dostawców i środowisk sieciowych. Niektórzy dostawcy usług telewizyjnych mogą pobierać opłaty za swoje usługi.
- Ten telewizor obsługuje nadawanie cyfrowe z użyciem kodeków MPEG-2, H.264/MPEG-4 AVC i H.265/HEVC, ale nie można zagwarantować zgodności ze wszystkimi sygnałami operatorów/usług, które mogą się zmienić z biegiem czasu.

## Informacje dot. znaków towarowych

- Terminy HDMI, HDMI High Definition Multimedia Interface oraz logo HDMI są znakami towarowymi lub zarejestrowanymi znakami towarowymi HDMI Licensing Administrator, Inc. w Stanach Zjednoczonych i innych krajach.
- Dolby, Dolby Vision, Dolby Audio i symbol z podwójnym D są znakami towarowymi firmy Dolby Laboratories. Wyprodukowano na licencji Dolby Laboratories. Dokumenty poufne, niepublikowane. Copyright © 1992-2015 Dolby Laboratories. Wszystkie prawa zastrzeżone.
- „BRAVIA”, BRAVIA i BRAVIA Sync są znakami towarowymi lub zarejestrowanymi znakami towarowymi firmy Sony Corporation.
- Gracenote, logo i logotyp Gracenote oraz logo „Powered by Gracenote” są znakami towarowymi lub zarejestrowanymi znakami towarowymi Gracenote, Inc. w USA oraz innych krajach.
- Vewd® Core. Copyright 1995-2019 Vewd Software AS. All rights reserved.
- Google, Google Play, Chromecast, YouTube, Android TV i inne powiązane oznaczenia oraz logo są znakami towarowymi firmy Google LLC.
- Wi-Fi®, Wi-Fi Alliance® i Wi-Fi Direct® są zarejestrowanymi znakami towarowymi Wi-Fi Alliance.
- Logo Wi-Fi CERTIFIED™ jest znakiem certyfikacji podmiotu Wi-Fi Alliance.
- W kwestii informacji na temat patentów DTS należy skorzystać z witryny <http://patents.dts.com>. Produkowane na licencji DTS, Inc. DTS, symbol oraz DTS i symbol łącznie są zarejestrowanymi znakami towarowymi, a DTS Digital Surround jest znakiem towarowym DTS, Inc. © DTS, Inc. Wszystkie prawa zastrzeżone.
- Słowo i logo Bluetooth® są zarejestrowanymi znakami towarowymi Bluetooth SIG, Inc. i wszelkie użycie tych znaków przez Sony Corporation odbywa się na mocy licencji. Pozostałe znaki i nazwy towarowe należą do odpowiednich właścicieli.
- Netflix jest zarejestrowanym znakiem towarowym firmy Netflix, Inc.
- DiSEqC™ jest znakiem towarowym firmy EUTELSAT. Ten telewizor obsługuje standard DiSEqC 1.0. Ten telewizor nie służy do sterowania antenami z napędem.
- TUXERA jest zastrzeżonym znakiem towarowym firmy Tuxera Inc. w USA i innych krajach.
- Logo USB-IF SuperSpeed USB Trident stanowi zastrzeżony znak towarowy USB Implementers Forum, Inc. 
- Wszystkie inne znaki towarowe są własnością ich właścicieli.







Připojení stolního stojanu k televizoru, viz Průvodce nastavením.

## Obsah

DŮLEŽITÁ POZNÁMKA .....	2
Bezpečnostní informace .....	3
Dálkové ovládání a televizor .....	5
Schéma zapojení .....	6
Montáž televizoru na zeď .....	8
Používání volitelného Nástěnného držáku .....	8
Odmontování stolního stojanu od televizoru .....	9
Řešení problémů .....	10
Problémy a řešení .....	10
Specifikace .....	10

### Připojení k internetu a ochrana osobních údajů

Toto zařízení se připojuje k internetu během prvotního nastavení, jakmile je připojeno k síti a je ověřeno internetové připojení. A také později při konfiguraci domovské obrazovky. Vaše IP adresa bude použita k tomuto připojení a ke všem dalším připojením k internetu. Pokud nechcete vůbec použít svou IP adresu, potom nenastavujte funkci bezdrátového připojení a ani nepřipojujte síťový kabel. Bližší podrobnosti o internetovém připojení si můžete přečíst v poznámkách ohledně ochrany osobních údajů na obrazovkách nastavení.

## Úvod

Děkujeme vám, že jste si vybrali tento výrobek Sony. Před zapnutím televizoru si prosím pozorně přečtete tento návod a uschovejte jej pro budoucí potřebu.

### Poznámka

- Před zapnutím televizoru si přečtete „Bezpečnostní informace“ (strana 3).
- Přečtete si dokument Bezpečnostní informace, kde naleznete další bezpečnostní informace.
- Obrázky a ilustrace v Průvodci nastavením a v tomto návodu slouží jen pro vaši referenci a mohou se lišit od skutečného vzhledu produktu.
- Symbol „xx“, který se objevuje v názvu modelu, odpovídá číslu popisující design, barvu nebo systém TV.

### Nápověda

Další informace o řešení problémů a jiné užitečné informace naleznete přímo ve své TV. Stiskněte **HELP** na dálkovém ovládání, abyste zobrazili seznam témat nebo můžete vyhledávat pomocí klávesnice.

### Uživatelská příručka (návod)

Podrobnější informace získáte po výběru [Uživatelská příručka] z nabídky Nápověda na svém televizoru. Uživatelskou příručku můžete rovněž prohlížet na svém počítači nebo smartphonu (informace jsou uvedené na zadní straně tohoto návodu).

### Umístění identifikačního štítku

Štítky s číslem modelu, datem výroby (rokem/měsícem) a specifikací zdroje napájení se nacházejí na zadní části televizoru nebo na obalu.

## DŮLEŽITÁ POZNÁMKA

### Prohlášení k rádiovým zařízením



Sony Visual Products Inc. tímto prohlašuje, že rádiová zařízení KD-85XG8596, KD-75XG8796, KD-75XG8599, KD-75XG8596, KD-75XG8588, KD-75XG8505, KD-65XG8796, KD-65XG8599, KD-65XG8596, KD-65XG8588, KD-65XG8577, KD-65XG8505, KD-55XG8796, KD-55XG8599, KD-55XG8596, KD-55XG8588, KD-55XG8577, KD-55XG8505 jsou v souladu se směrnicí 2014/53/EU. Úplné znění EU prohlášení o shodě je k dispozici na této internetové adrese: <http://www.compliance.sony.de/>

Upozornění pro zákazníky: následující informace se vztahují pouze na přístroje prodávané v zemích podléhajících směrnici EU.

U tohoto rádiového zařízení se vztahují následující omezení udělení do provozu nebo požadavků na povolení použití v AT, BE, HR, CY, CZ, DK, EE, FI, FR, DE, EL, HU, IE, IT, LV, LT, LU, MT, NL, PL, PT, SK, SI, ES, SE, UK, IS, LI, NO, CH, BG, RO, TR, AL, BA, MK, MD, RS, ME, Kosovo :

Pásmo 5 150 – 5 350 MHz je omezeno pouze na interní provoz.

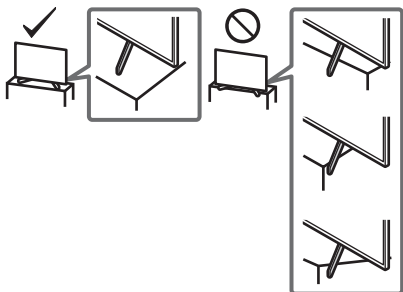
## Bezpečnostní informace

### Instalace/Nastavení

Televizor instalujte a používejte podle následujících pokynů, zabráníte tak nebezpečí požáru, úrazu elektrickým proudem nebo poškození anebo zranění.

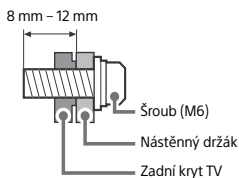
#### Instalace

- Televizor musí být instalován v blízkosti snadno přístupné zásuvky.
- Umístíte televizor na stabilní vodorovný povrch, aby přístroj nemohl spadnout a způsobit poranění osob nebo poškození majetku.
- Televizor nainstalujte na místo, kde za něj nebude možné zatáhnout, zatlačit na něj nebo ho shodit.
- Televizor nainstalujte tak, aby stolní stojan televizoru nepřechýlal z podstavce televizoru (není součástí dodávky). Pokud by stolní stojan přechýlal z podstavce televizoru, mohl by se televizor překloupit, spadnout a mohlo by tak dojít ke zranění osob nebo k poškození televizoru.

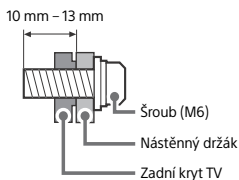


- Montáž TV na stěnu smí provádět pouze kvalifikovaný servisní personál.
- Z bezpečnostních důvodů důrazně doporučujeme používání příslušenství Sony včetně:
  - Nástěnný držák SU-WL450
- Když k TV připevňujete Nástěnný držák, použijte šrouby dodané s Nástěnným držákem. Dodané šrouby jsou navrženy k použití, jak je vyznačeno na obrázku, měřeno od montážního povrchu Nástěnného držáku. Průměr a délka šroubů se liší podle modelu Nástěnného držáku. Použití jiných šroubů může mít za následek vnitřní poškození televizoru nebo způsobit jeho pád apod.

#### KD-85XG85xx



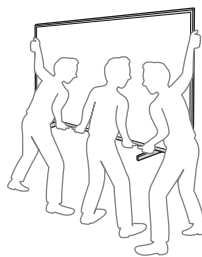
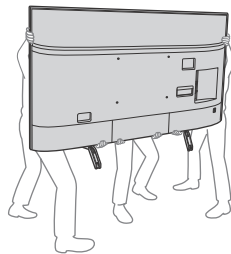
#### KD-75/65/55XG87xx, KD-75/65/55XG85xx



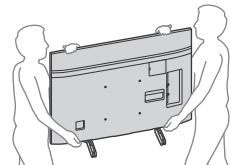
### Přeprava

- Před přemístěním televizoru odpojte všechny kabely.
- K přenosu velkého televizoru jsou nutné dvě nebo více osoby (tři nebo více pro KD-85XG85xx).
- Když přenášíte TV v rukou, držte jej, jak je znázorněno níže. Netlačte na LCD panel a rám okolo obrazovky.
- Při zdvžení TV pevně držte za spodní stranu.

#### KD-85XG85xx



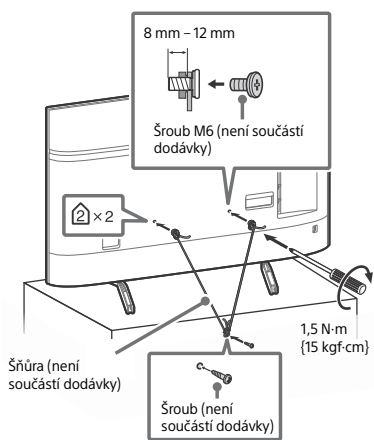
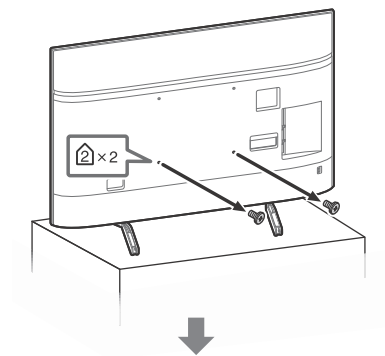
#### KD-75/65/55XG87xx, KD-75/65/55XG85xx



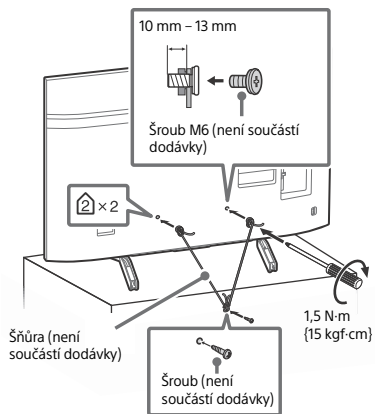
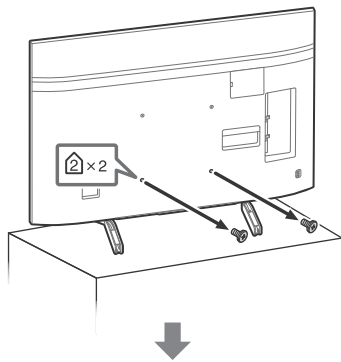
- Při přenášení televizoru dbejte na to, aby do něho nenarazil, nebo nadměrně nevíbroval.
- Jestliže vezete televizor do opravy, nebo ho stěhujete, vždy ho zabalte do originální krabice a obalového materiálu.

## Ochrana před převrácením

KD-85XG85xx

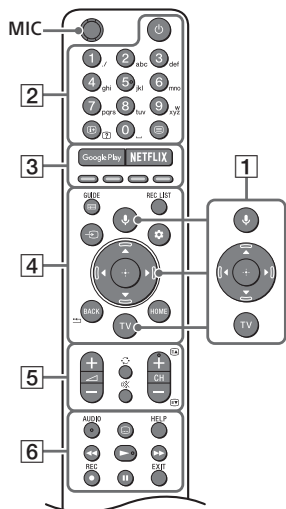


KD-75/65/55XG87xx, KD-75/65/55XG85xx



## Dálkové ovládání a televizor

Tvar, umístění, dostupnost a funkce tlačítek dálkového ovladače se může lišit v závislosti na zemi, oblasti nebo modelu televizoru.



- 1 **MIC (Mikrofon):** Používání hlasového vyhledávání. (např. vyhledávání různého obsahu pomocí hlasu.)\*1  
**▲/▼/◀/▶/⊕ (Navigační D-Pad):** Navigace a výběr v nabídce na obrazovce.  
**TV:** Přepněte na kanál nebo vstup televizoru a zobrazte TV nabídku.

- 2 **Pohotovostní režim TV**  
**Číselná tlačítka**  
**ℹ/? (Informace/Odhalení textu):** Zobrazte informace.  
**☰ (Text):** Zobrazte textové informace.

- 3 **Google Play**  
**NETFLIX (Pouze pro některé oblasti/ země/modely televizoru)**  
**Barevná tlačítka**

- 4 **GUIDE/☰:** Zobrazte digitálního průvodce programy nebo EPG na kabelovém/ satelitním přijímači\*2.  
**REC LIST:** Zobrazte seznam Rec na USB HDD nebo DVR\*2.  
**↵ (Volba vstupu):** Zobrazte a zvolte vstupní zdroj atd.

**⚙ (Rychlá nastavení):** Zobrazit rychlá nastavení.

**BACK/◀**

**HOME**

- 5 **↔ +/- (Hlasitost)**

**⌂ (Skok)**

**⊗ (Ztišit)**

**Rada**

- Službu zkratk přístupnosti lze zapnout nebo vypnout stisknutím a přidělením ⊗.

**CH +/-/⏪/⏩**

V režimu TV: Zvolte kanál.

V textovém režimu: Zvolte následující (⏩) nebo předchozí (⏪) stránku.

- 6 **AUDIO:** Vybere zvuk vícejazyčného zdroje nebo duální zvuk (v závislosti na zdroji programu).

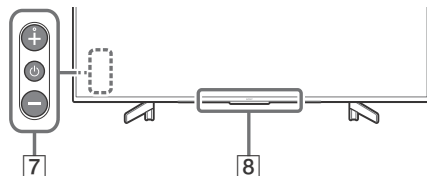
**⋮ (Nastavení titulků)**

**HELP:** Zobrazte nabídku nápovědy.

**◀◀/▶▶/⏸**

- **REC:** Nahrávejte sledovaný program na USB HDD nebo DVR\*2.

**EXIT**



- 7 **⏻ (Napájení)**

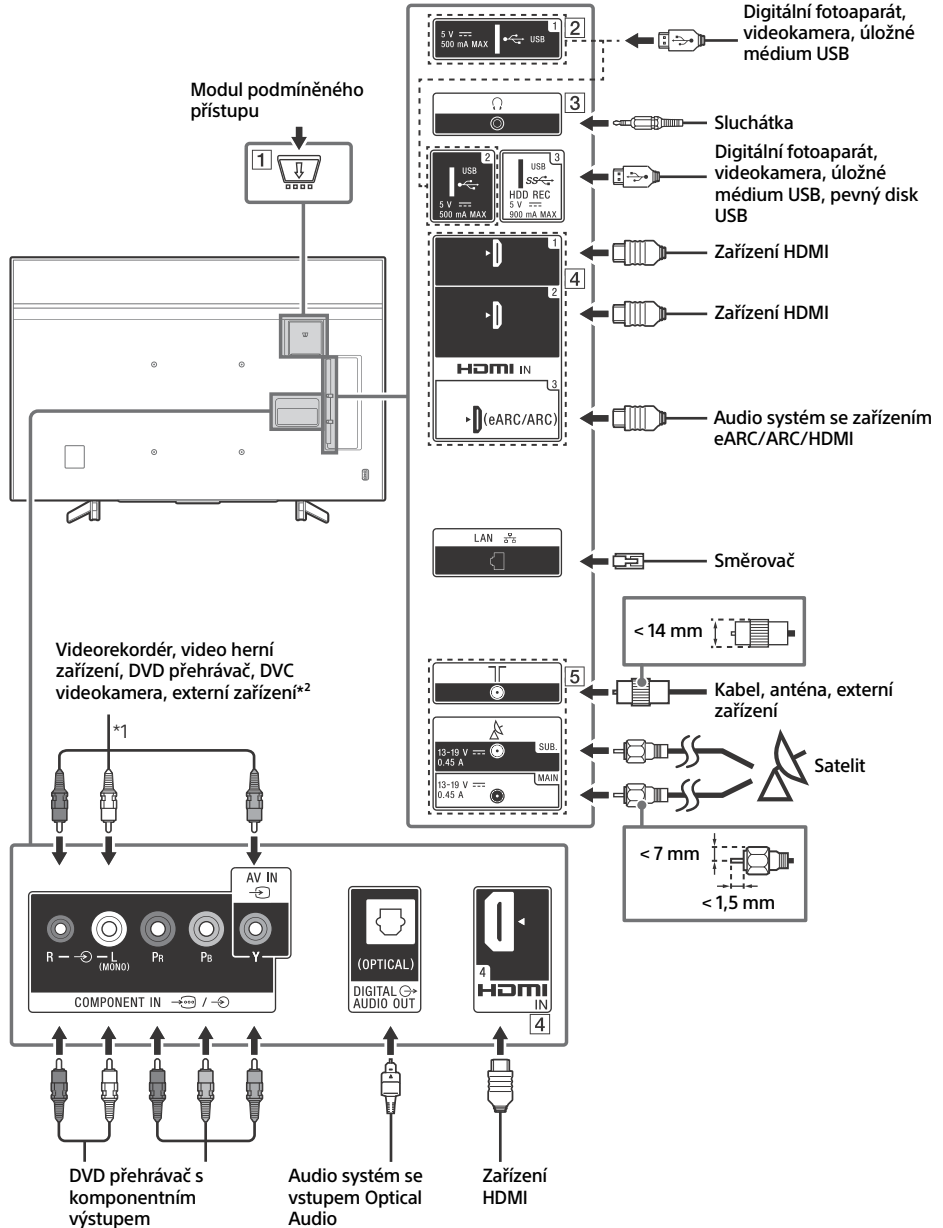
- 8 **Čidlo dálkového ovládání / Světelné čidlo / Osvětlení LED**

\*1 Hlasové vyhledávání vyžaduje připojení k internetu.

\*2 Je vyžadováno nastavení [Nastavení kabelového/ satelitního boxu] (pouze pro některé oblasti/země/ modely televizoru). Více informací naleznete v dokumentu Uživatelská příručka.

# Schéma zapojení

Více informací o připojeních naleznete v dokumentu Uživatelská příručka po stisknutí tlačítka **HELP** na dálkovém ovládní.



## 1 CAM (Modul podmíněného přístupu)

- Poskytuje přístup k placeným TV službám. Další podrobnosti najdete v návodu k použití dodaném s modulem CAM.
- Nevkládejte smart kartu přímo do slotu CAM vašeho TV. Karta musí být vložena do modulu podmíněného přístupu dodaného autorizovaným prodejcem.
- CAM není v některých zemích/oblastech podporován. Dostupnost ověřte u autorizovaného prodejce.
- Když po používání internetového videa přepnete na digitální program, může se zobrazit zpráva CAM.

## 2 USB 1/2, USB 3 (HDD REC)<sup>\*3</sup>

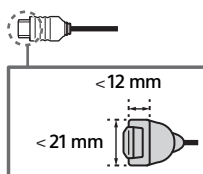
- Při připojení velkého zařízení USB může toto zařízení překážet ostatním připojeným zařízením vedle něj.
- Při připojování velkého zařízení USB toto zařízení připojte ke konektoru USB 1.
- Připojte USB HDD zařízení do portu USB 3 (modrý).

## 3 (Sluchátka)

- Podporuje pouze 3pólový konektor typu stereofonní mini jack.
- Nemůžete současně přehrávat zvuk do sluchátek a pomocí reproduktorů televizoru.

## 4 HDMI IN 1/2/3/4

- Rozhraní HDMI může přenášet digitální video a audio přes jediný kabel.



- Chcete-li využívat vysoce kvalitní obsah 4K 50p/60p, připojte kabel HDMI Premium High Speed a nastavte [Formát signálu HDMI] na [Vylepšený formát]. Toto nastavení proveďte jednotlivě pro každý připojený konektor HDMI IN. Podrobnosti o podporovaných formátech naleznete v části „Specifikace“ v tomto návodu (strana 10-12).
- **HDMI IN 3 eARC/ARC (Enhanced Audio Return Channel/Audio Return Channel)** Připojte svůj audio systém k HDMI IN 3 a k TV audio svého audio systému. Audio systém, který podporuje HDMI eARC/ARC může odesílat video do TV a přijímat audio z TV přes stejný HDMI kabel. Pokud váš audio systém nepodporuje HDMI eARC/ARC, je zapotřebí další připojení pomocí DIGITAL AUDIO OUT (OPTICAL).
- Použijte HDMI kabel s Ethernetem pro připojení audio systému s eARC.



## 5 T (Vstup RF), (Satelitní vstup)

- Připojení pro pozemní/kabelové vysílání a satelit. Připojte postupně: SUB. → MAIN → Anténa
- Konektor typu jack SUB. připojte pouze tehdy, když využíváte režim dvou tunerů, s výjimkou rozvodu signálu jediným kabelem podle EN50494.

\*1 Když připojujete monofonní zařízení, připojte je konektorem typu jack do (vstupu) audio L (MONO).

\*2 Pro externí zařízení, které má pouze výstup SCART AV OUT, použijte adaptér SCART-RCA.

\*3 Pouze pro některé oblasti/země/modely televizoru.

# Montáž televizoru na zeď

## Používání volitelného Nástěnného držáku

Tento návod k použití pro TV poskytuje pouze kroky pro přípravu TV pro montáž na zeď před tím, než je na zeď instalována.

### Pro zákazníky:

Společnost Sony za účelem ochrany produktu a z důvodů bezpečnosti důrazně doporučuje, aby instalaci televizoru provedl prodejce Sony nebo autorizovaný dodavatel. Nepokoušejte se o jeho instalaci sami.

### Prodejci a dodavatele Sony:

Během instalace, pravidelné údržby a prohlídek výrobku důsledně dbejte na bezpečnost.

Instalace tohoto produktu vyžaduje dostatečné zkušenosti, zejména pak pro posouzení, zda zeď unese hmotnost televizoru. Připevnění tohoto produktu na zeď byste měli svěřit prodejcům Sony nebo autorizovaným dodavatelům a během instalace věnovat patřičnou pozornost bezpečnosti. Společnost Sony nenese žádnou odpovědnost za poškození nebo zranění způsobené nesprávnou manipulací nebo instalací.

K instalaci televizoru na stěnu použijte Nástěnný držák SU-WL450 (není součástí dodávky). Při montáži Nástěnného držáku také nahlédněte do Návodu k použití a do Instalační příručky dodané s Nástěnným držákem.

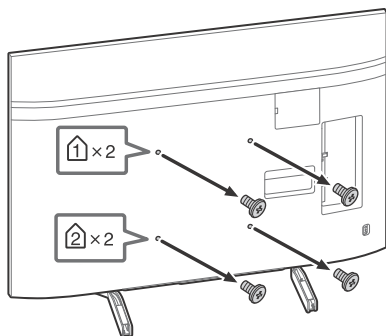
### Poznámka

- Vyšroubované šrouby uschovejte na bezpečném místě mimo dosah dětí.



Pokyny k instalaci Nástěnného držáku na stěnu naleznete v části Informace o instalaci (Nástěnný držák) na stránce produktu modelu televizoru.  
[www.sony.eu/support/](http://www.sony.eu/support/)

**Odšroubujte šrouby na zadní straně TV.**

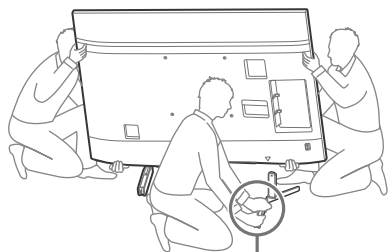




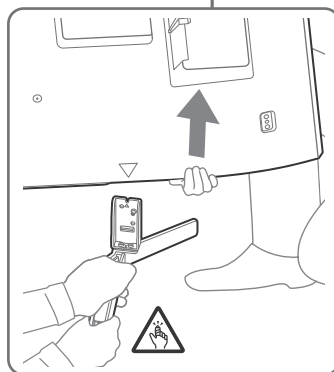
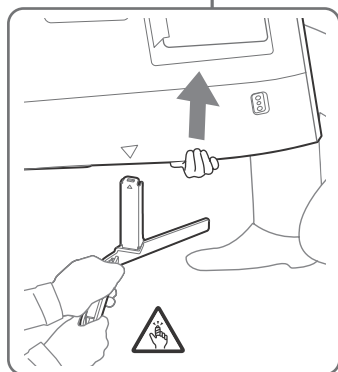
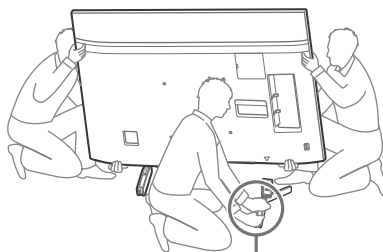
## Odmontování stolního stojanu od televizoru

- 1 Odstraňte současně jednu stranu stolního stojanu. Pevně držte stolní stojan bezpečně oběma rukama, zatímco ostatní lidé zvedají televizor.

KD-85XG85xx



KD-75/65/55XG87xx, KD-75/65/55XG85xx



- 2 Opakujte předchozí krok a odstraňte druhou stranu stolního stojanu.

### Poznámka

- Odpojení stolního stojanu od televizoru vyžaduje tři nebo více lidí.
- Dávejte pozor, abyste při odpojování stolního stojanu od televizoru nepůsobili nadměrnou silou, protože by televizor mohl spadnout a mohlo by tak dojít ke zranění osob nebo k poškození televizoru.
- Při manipulaci se stolním stojanem dávejte pozor, abyste zabránili poškození televizoru.
- Při zvedání televizoru buďte opatrní, protože při odpojení stolního stojanu by mohlo dojít k jeho převrácení a ke zranění osob.
- Při demontáži stolního stojanu z televizoru buďte opatrní, aby nedošlo k jeho pádu a poškození povrchu, na němž televizor stojí.

## Řešení problémů

Při obecném řešení problémů, jako jsou černá obrazovka, nehrající zvuk, nehybný obraz, nereagující televizor nebo ztráta sítě, postupujte následovně.

- 1 Vypněte a znovu zapněte televizor stisknutím tlačítka napájení na dálkovém ovládní, dokud se nezobrazí zpráva. Televizor se restartuje. Pokud se televizor neobnoví, zkuste jej odpojit od zdroje napájení. Potom stiskněte tlačítko zapínání na televizoru, počkejte dvě minuty a znovu připojte do sítě.
- 2 Více informací naleznete v nabídce nápovědy po stisknutí tlačítka **HELP** na dálkovém ovládní.
- 3 Připojte televizor k internetu a aktualizujte software. Společnost Sony doporučuje udržovat software televizoru aktualizovaný. Softwarové aktualizace poskytují nové funkce a vylepšení výkonu.
- 4 Navštivte internetové stránky podpory Sony (informace naleznete na přední straně tohoto návodu).

**Když televizor odpojíte, je možné, že televizor nebude možné nějakou dobu zapnout, i když stisknete tlačítko napájení na dálkovém ovládní nebo na televizoru.**

Inicializace systému nějakou dobu trvá. Počkejte přibližně jednu minutu, potom to zkuste znovu.

## Problémy a řešení

**Když LED kontrolka bliká červeně.**

- Spočítejte, kolikrát zabliká (časový interval je 3 sekundy).  
Resetujte televizor odpojením od zdroje napájení, dokud LED kontrolka nepřestane blikat červeně a potom televizor zapněte.  
Pokud problém přetrvává, odpojte televizor od zdroje napájení a obraťte se na svého prodejce nebo na servisní středisko Sony, přičemž uveďte, kolikrát LED kontrolka blikala.

**Nelze přijímat programy pozemního/kabelového vysílání.**

- Zkontrolujte anténní/kabelové připojení a nastavení zesilovače.
- Vyberte pozemní/kabelovou službu stisknutím **TV** na dálkovém ovládní a potom vyberte [Digitální], pokud není vysílací služba zobrazena.

- Pokud je v okolí vysílán velmi silný signál, signál pozemního vysílání může být potlačen. Nastavte [LNA (K. ---)] na [Vyp] při ladění digitálních programů.
- Když se přestěhujete do nového domu nebo bytu nebo když chcete přijímat nové programy, tyto programy vyhledejte výběrem položky [Digitální ladění].

**Nelze přijímat programy satelitního vysílání.**

- Zkontrolujte připojení satelitního kabelu.
- Když se zobrazí zpráva [Žádný signál. Detekováno přetížení LNB...], odpojte televizor od zdroje napájení. Potom se ujistěte, že satelitní kabel není poškozený a že vedení satelitního signálu není zkratováno v satelitním konektoru.

**Dálkové ovládní nefunguje.**

- Vyměňte baterie.

**Zapomněli jste heslo rodičovského zámku vysílání.**

- Zadejte 9999 jako kód PIN a vyberte [Změnit kód PIN].

**Panel televizoru se zahřívá.**

- Když je televizor používán delší dobu, panel se zahřeje. Když se ho dotknete rukou, může být na dotek horký.

## Specifikace

### Systém

Systém panelu  
Panel LCD (displej s kapalnými krystaly), Podsvícení LED

### TV systém

V závislosti na oblasti, zemi nebo modelu televizoru

Analogové: B/G, D/K, I

Digitální: DVB-T/DVB-C

DVB-T2\*1

Satelit\*1: DVB-S/DVB-S2

### Systém barev

PAL/SECAM/NTSC3.58 (Pouze video)/NTSC4.43 (Pouze video)

### Výběr kanálů

V závislosti na oblasti, zemi nebo modelu televizoru

Analogové: UHF/VHF/kabel

Digitální: UHF/VHF/kabel

Satelit\*1: mezifrekvenční kmitočty 950-2150 MHz

### Zvukový výstup

10 W + 10 W

### Bezdrátová technologie

Protokol IEEE802.11ac/a/b/g/n

(IEEE802.11ac nemusí být k dispozici v závislosti na zemích/oblastech.)

Verze Bluetooth 4.2

## Kmitočtové pásmo (pásma)

Bezdrátová síť LAN (IEEE802.11ac/b/g/n)	
Frekvenční rozsah	Výstupní výkon
2 400-2 483,5 MHz	< 20,0 dBm
5 150-5 250 MHz	< 23,0 dBm
5 250-5 350 MHz	< 20,0 dBm
5 470-5 725 MHz	< 20,0 dBm
5 725-5 850 MHz	< 13,9 dBm

Bluetooth	
Frekvenční rozsah	Výstupní výkon
2 400-2 483,5 MHz	< 10,0 dBm

## RMF-TX600E/TX500E

Bluetooth	
Frekvenční rozsah	Výstupní výkon
2 400-2 483,5 MHz	< 10,0 dBm

## Verze softwaru

Toto rádiové zařízení je určeno k použití se schválenými verzemi softwaru, které jsou uvedeny v prohlášení o shodě EU. Verzi softwaru zobrazíte stisknutím tlačítka **HELP** na dálkovém ovladači.

Dálkové ovládání: Vyberte [Dálkové ovládání] → [Verze softwaru] z [Nastavení]. Více informací naleznete v dokumentu Uživatelská příručka. Bylo ověřeno, že software uložený v tomto rádiovém zařízení splňuje základní požadavky směrnice 2014/53/EU.

## Vstupní/Výstupní konektory

### Anténa/kabel

75 ohmová externí zásuvka pro VHF/UHF

### Satelitní anténa\*1

Konektor typ F (zásuvka), 75 ohmová. DiSEqC 1.0, LNB 13 V/18 V a tón 22 kHz, rozvod signálu jediným kabelem EN50494.

### COMPONENT IN

YPbPr (komponentní video): 1080p (50, 60 Hz), 1080i (50, 60 Hz), 720p (50, 60 Hz), 576p, 576i, 480p, 480i

Audio vstup (phono konektory)

### AV IN

Video vstup (běžný konektor phono se vstupem Y)

HDMI IN 1/2/3/4 (podpora rozlišení 4K, Kompatibilní s HDCP

2.3)

### Video:

4096 × 2160p (50, 60 Hz)<sup>\*2,3</sup>, 4096 × 2160p (24 Hz)<sup>\*2</sup>, 3840 × 2160p (50, 60 Hz)<sup>\*3</sup>, 3840 × 2160p (24, 25, 30 Hz), 1080p (30, 50, 60 Hz), 1080/24p, 1080i (50, 60 Hz), 720p (30, 50, 60 Hz), 720/24p, 576p, 480p, PC formáty<sup>\*4</sup>

### Audio:

V režimu eARC (Enhanced Audio Return Channel)<sup>\*5</sup>

Podrobnosti naleznete v Uživatelské příručce.

Kromě režimu eARC

5,1 kanálové lineární PCM: 32/44,1/48/88,2/96/176,4/192 kHz 16/20/24 bitů, Dolby Digital, Dolby Digital Plus, DTS

eARC/ARC (Enhanced Audio Return Channel/Audio Return Channel) (pouze modely HDMI IN 3)

V režimu eARC<sup>\*5</sup>

Podrobnosti naleznete v Uživatelské příručce.

V režimu ARC

Dvoukanálový lineární PCM: 48 kHz 16 bitů, Dolby Digital, Dolby Digital Plus, DTS

### DIGITAL AUDIO OUT (OPTICAL)

Digitální optický konektor jack (dvoukanálový lineární PCM:

48 kHz 16 bitů, Dolby Digital, DTS)

## (stereo mini konektor)

Sluchátka

1, 2, 3 (HDD REC)<sup>\*6</sup>

Port zařízení USB ( 3 USB HDD zařízení pro funkci nahrávání)

USB porty 1 a 2 podporují vysokorychlostní USB (USB 2.0)

USB port 3 podporuje super rychlé USB (USB 3.1 Gen 1)

## Slot CAM (modul podmíněného přístupu)

LAN

Konektor 10BASE-T/100BASE-TX (v závislosti na provozním prostředí síť se rychlost připojení může lišit. Rychlost a kvalita komunikace nejsou zaručeny.)

## Ostatní

Volitelné příslušenství

Nástěnný držák: SU-WL450

Provozní teplota

0 °C – 40 °C

Provozní vlhkost

Relativní vlhkost 10 % – 80 % (nekondenzující)

## Napájení, specifikace produktu a další

Požadavky na napájení

220 V – 240 V AC, 50 Hz

Třída energetické účinnosti

KD-85XG85xx: A

KD-75XG87xx / KD-75XG85xx: A+

KD-65XG87xx / KD-65XG85xx: A

KD-55XG87xx / KD-55XG85xx: A

Velikost obrazovky (úhlopříčka) (přibl.)

KD-85XG85xx: 214,8 cm / 85 palců

KD-75XG87xx / KD-75XG85xx: 189,3 cm / 75 palců

KD-65XG87xx / KD-65XG85xx: 163,9 cm / 65 palců

KD-55XG87xx / KD-55XG85xx: 138,8 cm / 55 palců

Spotřeba elektrické energie

V režimu [Standardní]

KD-85XG85xx: 216 W

KD-75XG87xx / KD-75XG85xx: 158 W

KD-65XG87xx / KD-65XG85xx: 127 W

KD-55XG87xx / KD-55XG85xx: 111 W

V režimu [Živý]

KD-85XG85xx: 362 W

KD-75XG87xx: 275 W

KD-75XG85xx: 275 W

KD-75XG85xx: 275 W

KD-75XG85xx: 275 W

KD-75XG85xx: 275 W

KD-65XG87xx: 221 W

KD-65XG85xx: 221 W

KD-65XG85xx: 221 W

KD-65XG85xx: 221 W

KD-65XG85xx: 221 W

KD-65XG85xx: 221 W

KD-65XG85xx: 221 W

KD-65XG85xx: 221 W

KD-65XG85xx: 221 W

KD-65XG85xx: 221 W

KD-65XG85xx: 221 W

KD-65XG85xx: 221 W

KD-65XG85xx: 221 W

KD-65XG85xx: 221 W

KD-65XG85xx: 221 W

KD-65XG85xx: 221 W

KD-65XG85xx: 221 W

KD-65XG85xx: 221 W

KD-65XG85xx: 221 W

KD-65XG85xx: 221 W

KD-65XG85xx: 221 W

KD-65XG85xx: 221 W

KD-65XG85xx: 221 W

KD-65XG85xx: 221 W

KD-65XG85xx: 221 W

KD-65XG85xx: 221 W

KD-65XG85xx: 221 W

KD-65XG85xx: 221 W

KD-65XG85xx: 221 W

KD-65XG85xx: 221 W

KD-65XG85xx: 221 W

KD-65XG85xx: 221 W

KD-65XG85xx: 221 W

KD-65XG85xx: 221 W

KD-65XG85xx: 221 W

KD-65XG85xx: 221 W

## Rozměry (přibl.) (š × v × h)

se stolním stojanem

KD-85XG85xx: 190,9 × 117,5 × 43,3 cm  
KD-75XG87xx / KD-75XG85xx: 167,3 × 103,1 × 35,8 cm  
KD-65XG87xx / KD-65XG85xx: 145,0 × 89,9 × 31,6 cm  
KD-55XG87xx / KD-55XG85xx: 123,1 × 77,6 × 31,6 cm

bez stolního stojanu

KD-85XG85xx: 190,9 × 109,7 × 8,0 cm  
KD-75XG87xx / KD-75XG85xx: 167,3 × 96,3 × 5,4 cm  
KD-65XG87xx / KD-65XG85xx: 145,0 × 83,6 × 5,2 cm  
KD-55XG87xx / KD-55XG85xx: 123,1 × 71,3 × 5,2 cm

## Hmotnost (přibl.)

se stolním stojanem

KD-85XG85xx: 49 kg  
KD-75XG87xx / KD-75XG85xx: 39,3 kg  
KD-65XG87xx / KD-65XG85xx: 26,3 kg  
KD-55XG87xx / KD-55XG85xx: 19,7 kg

bez stolního stojanu

KD-85XG85xx: 46,5 kg  
KD-75XG87xx / KD-75XG85xx: 37,8 kg  
KD-65XG87xx / KD-65XG85xx: 25,3 kg  
KD-55XG87xx / KD-55XG85xx: 18,7 kg

- \*1 Všechny televizory nemají technologii DVB-T2 nebo DVB-S/SD2 nebo terminál pro satelitní anténu.
- \*2 Když je vstup 4096 × 2160p a [Širokouhlý režim] je nastaveno na [Vychozí], rozlišení bude zobrazeno jako 3840 × 2160p. Pro zobrazení 4096 × 2160p, nastavte [Širokouhlý režim] na [Plný 1] nebo [Plný 2].
- \*3 Pro podporu 18 Gbps, nastavte [Formát signálu HDMI] na [Vylepšený formát].
- \*4 Podrobnosti naleznete v Uživatelské příručce.
- \*5 Režim eARC je aktivní, pokud je možnost [Režim eARC] nastavena na [Auto], možnost [Reproduktor] na [Audio systém] a je připojený audio systém kompatibilní s eARC.
- \*6 Pouze pro některé oblasti/země/modely televizoru.
- \*7 Spotřeba energie v kWh za rok spočítaná na základě spotřeby televizoru zapnutého 4 hodiny denně po 365 dní. Skutečná spotřeba energie závisí na způsobu používání televizoru.
- \*8 Specifikovaná spotřeba elektrické energie v pohotovostním režimu je dosažena po dokončení nezbytných vnitřních procesů televizoru.
- \*9 Spotřeba elektrické energie v pohotovostním režimu se zvýší, pokud je televizor připojen k síti.

## Poznámka

- Nevymějte náhražku modulu nebo krytku (dostupnost závisí na modelu televizoru) slotu CAM (modul podmíněného přístupu) za jiným účelem, než vložení karty Smart.
- Dostupnost volitelného příslušenství závisí na zemi/oblasti/modelu televizoru/zásobách na skladě.
- Vzhled a specifikace se mohou změnit bez předchozího upozornění.

## Poznámky k funkcím digitální televize

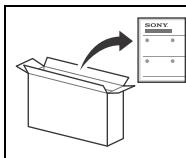
- Digitální televize (DVB pozemní, satelitní a kabelová), interaktivní služby a síťové funkce nemusí být dostupné ve všech zemích nebo oblastech. Některé funkce nemusí být některými poskytovateli a v některých síťových prostředích aktivovány nebo nemusí pracovat správně. Některé poskytovatelé televizních služeb mohou za své služby účtovat poplatky.
- Tento televizor podporuje digitální vysílání s využitím kodeků MPEG-2, H.264/MPEG-4 AVC a H.265/HEVC, nicméně nelze zaručit kompatibilitu se signály všech operátorů/služeb, které se mohou v průběhu času měnit.

## Informace o obchodních značkách

- Pojmy HDMI a HDMI High-Definition Multimedia Interface a rovněž logo HDMI jsou ochranné známky nebo zapsané ochranné známky společnosti HDMI Licensing Administrator, Inc. ve Spojených státech a dalších zemích.
- Dolby, Dolby Vision, Dolby Audio a symbol dvojitého D jsou ochranné známky společnosti Dolby Laboratories. Vyrobeno na základě licence poskytnuté společností Dolby Laboratories. Důvěrné nepublikované materiály. Copyright © 1992-2015 Dolby Laboratories. Všechna práva vyhrazena.
- „BRAVIA“, BRAVIA a BRAVIA Sync jsou ochranné známky společnosti Sony Corporation.

- Gracenote, logo a ligatura Gracenote a logo „Powered by Gracenote“ jsou buď registrované obchodní známky, nebo obchodní známky společnosti Gracenote, Inc. ve Spojených státech a/nebo jiných zemích.
- Vewd® Core. Copyright 1995-2019 Vewd Software AS. All rights reserved.
- Google, Google Play, Chromecast, YouTube, Android TV a další související značky a loga jsou ochranné známky společnosti Google LLC.
- Wi-Fi®, Wi-Fi Alliance® a Wi-Fi Direct® jsou registrované ochranné známky společnosti Wi-Fi Alliance.
- Logo Wi-Fi CERTIFIED™ je certifikační značka společnosti Wi-Fi Alliance.
- Informace o patentech DTS naleznete na <http://patents.dts.com>. Vyrobeno na základě licence od společnosti DTS, Inc. DTS, symbol, dále DTS společně se symbolem jsou registrované obchodní známky a DTS Digital Surround je známká společnosti DTS, Inc. © DTS, Inc. Všechna práva vyhrazena.
- Slovní značka a logo Bluetooth® jsou registrované ochranné známky ve vlastnictví společnosti Bluetooth SIG, Inc. a jakékoli využívání těchto značek společností Sony Corporation podléhá licenci. Ostatní obchodní značky a obchodní názvy jsou majetkem příslušných vlastníků.
- Netflix je registrovaná ochranná známká společnosti Netflix, Inc.
- DiSEqC™ je ochranná známká společnosti EUTELSAT. Tento televizor podporuje DiSEqC 1.0. Tento televizor není určen k ovládání antén s motorovým pohonem.
- TUXERA je registrovaná ochranná známká společnosti Tuxera Inc. v USA a v dalších zemích.
- Logo USB-IF SuperSpeed USB Trident je registrovaná ochranná známká společnosti USB Implementers Forum, Inc. 
- Všechny ostatní ochranné známky jsou majetkem příslušných vlastníků.





Ak chcete pripraviť stolový stojan, pozrite Sprievodcu nastavením.

## Obsah

DÔLEŽITÉ UPOZORNENIE .....	2
Informácie o bezpečnosti .....	3
Dialkový ovládač a televízny prijímač. . . . .	5
Schéma zapojenia .....	6
Montáž TV prijímača na stenu .....	8
Použitie voliteľnej Montážnej konzoly na stenu .....	8
Odpojenie stolového stojana od televízneho prijímača .....	9
Riešenie problémov .....	10
Problémy a riešenia .....	10
Špecifikácie .....	10

### Pripojenie na internet a ochrana údajov

Tento výrobok sa pripojí na internet počas počiatočného nastavenia, hneď ako bude sieť pripojená za účelom potvrdenia pripojenia na internet a neskôr na konfiguráciu domovskej obrazovky. V týchto i všetkých ďalších pripojeniach na internet je použitá vaša IP adresa. Ak chcete, aby vaša IP adresa nebola vôbec použitá, nenastavujte bezdrôtové pripojenie na internet a nepripájajte zariadenie na internet ani káblom. Pokiaľ ide o ďalšie podrobnosti o pripojeniach na internet, pozrite si informácie o ochrane osobných údajov na obrazovkách v nastaveniach.

## Úvod

Ďakujeme vám, že ste si vybrali tento výrobok značky Sony. Pred uvedením tohto televízneho prijímača do činnosti si pozorne prečítajte tento návod a odložte si ho pre prípad budúcej potreby.

### Poznámka

- Pred uvedením tohto televízneho prijímača do činnosti si prečítajte „Informácie o bezpečnosti“ (strana 3).
- Informácie o bezpečnosti nájdete v dodávaných informáciách o bezpečnosti.
- Obrázky a ilustrácie použité v Sprievodcovi nastavením a v tomto návode slúžia len na referenčné účely a môžu sa líšiť od samotného produktu.
- Znak „xx“, ktorý sa uvádza v názve modelu, zodpovedá číselnému znaku, ktorý sa týka konštrukcie, farby alebo systému televízneho vysielania.

### Pomocník

Ďalšie informácie o riešení problémov a ďalšie užitočné informácie nájdete priamo v televíznom prijímači. Na diaľkovom ovládači stlačte **HELP** pre zobrazenie zoznamu tém alebo vyhľadávanie podľa kľúčového slova.

### Príručka (manuál)

Pre viac informácií vyberte [Príručka] z ponuky Pomocníka na obrazovke televízneho prijímača. Môžete tiež pozrieť Príručku na počítači alebo smartfónu (informácie uvedené na zadnom kryte tejto príručky).

### Umiestnenie identifikačného štítku

Štítky s číslom modelu, dátumom výroby (rok/mesiac) a s údajmi o napájacom zdroji sa nachádzajú na zadnej časti TV prijímača alebo na balení.

## DÔLEŽITÉ UPOZORNENIE

### Poznámka pre rádiové zariadenie



Sony Visual Products Inc. týmto vyhlasuje, že rádiové zariadenia typu KD-85XG8596, KD-75XG8596, KD-75XG8599, KD-75XG8596, KD-75XG8588, KD-75XG8505, KD-65XG8796, KD-65XG8599, KD-65XG8596, KD-65XG8588, KD-65XG8577, KD-65XG8505, KD-55XG8796, KD-55XG8599, KD-55XG8596, KD-55XG8588, KD-55XG8577, KD-55XG8505 sú v súlade so smernicou 2014/53/EÚ. Úplné EÚ vyhlásenie o zhode je k dispozícii na tejto internetovej adrese: <http://www.compliance.sony.de/>

Poznámka pre spotrebiteľov: nasledujúce informácie sa vzťahujú iba na zariadenie predávané v krajinách, v ktorých platia smernice EÚ.

Pre toto rádiové zariadenie platia nasledujúce obmedzenia týkajúce sa uvedenia do prevádzky alebo požiadaviek na autorizáciu používania v krajinách AT, BE, HR, CY, CZ, DK, EE, FI, FR, DE, EL, HU, IE, IT, LV, LT, LU, MT, NL, PL, PT, SK, SI, ES, SE, UK, IS, LI, NO, CH, BG, RO, TR, AL, BA, MK, MD, RS, ME, Kosovo :  
Pásmo 5 150 - 5 350 MHz je obmedzené len na použitie v interiéri.

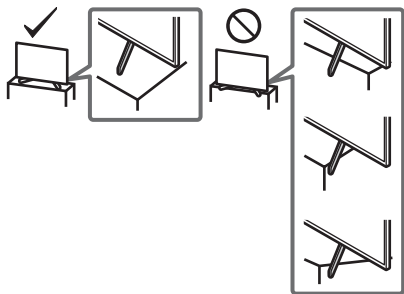
## Informácie o bezpečnosti

### Inštalácia/Nastavenie

Televízny prijímač nainštalujte a používajte v súlade s dolu uvedenými pokynmi, aby ste predišli vzniku rizika požiaru, zásahu elektrickým prúdom, poškodeniam alebo úrazom.

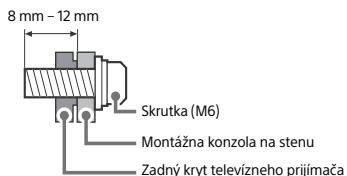
#### Inštalácia

- Televízny prijímač treba nainštalovať v blízkosti ľahko dostupnej sieťovej zásuvky.
- Umiestnite televízny prijímač na stabilný rovný povrch, aby nedošlo k jeho prevrhnutiu a následnému zraneniu alebo poškodeniu majetku.
- Televízny prijímač nainštalujte na miesto, odkiaľ ho nemožno stiahnuť, posunúť ani prevrhnuť.
- Televízny prijímač nainštalujte tak, aby stolový stojan televízneho prijímača neprečnieval mimo TV stojana (nedodáva sa). Ak stolový stojan prečnieva mimo TV stojana, televízny prijímač sa môže prevrhnuť, spadnúť a spôsobiť zranenie osôb alebo sa môže televízny prijímač poškodiť.

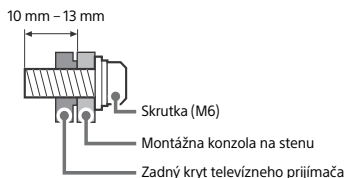


- Inštaláciou upevnenia na stenu môže uskutočňovať iba kvalifikovaný pracovník servisu.
- Z bezpečnostných dôvodov rozhodne odporúčame používať príslušenstvo značky Sony, ako napr.:  
– Montážna konzola na stenu SU-WL450
- Na priporenie Montážnej konzoly na stenu k TV prijímaču použite skrutky dodané s Montážnou konzolou na stenu. Dodané skrutky, znázornené na ilustrácii, sú merané od pripevňovacieho povrchu Montážnej konzoly na stenu. Priemer a dĺžka skrutky závisia od modelu Montážnej konzoly na stenu. Použitie iných ako dodávaných skrutiek môže mať za následok vnútorné poškodenie televízneho prijímača, alebo spôsobiť jeho pád atď.

#### KD-85XG85xx



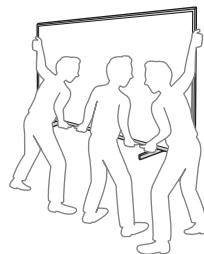
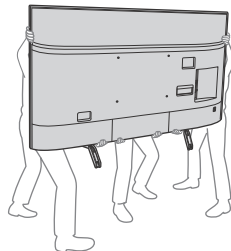
#### KD-75/65/55XG87xx, KD-75/65/55XG85xx



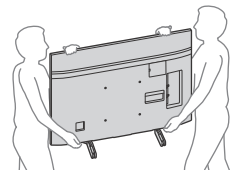
### Preprava

- Pred premiestňovaním televízneho prijímača odpojte všetky káble.
- Na prenášanie veľkého televízneho prijímača sú potrební dvaja alebo viacerí ľudia (traja alebo viacerí ľudia pre KD-85XG85xx).
- Pri prenášaní držte televízny prijímač tak, ako je to znázornené nižšie. LCD panel a rám okolo obrazovky chráňte pred zvýšeným namáhaním.
- Pri dvíhaní alebo prenášaní televízneho prijímača ho držte za spodnú stranu.

#### KD-85XG85xx



#### KD-75/65/55XG87xx, KD-75/65/55XG85xx

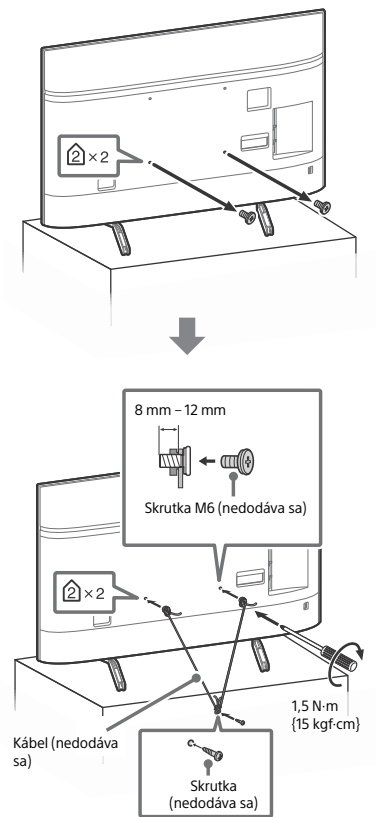


- Pri prenášaní a preprave chráňte televízny prijímač pred nárazmi alebo nadmernými vibráciami.
- Pri preprave do opravy alebo pri sťahovaní zabaľte televízny prijímač do pôvodného kartónu a baliaceho materiálu.

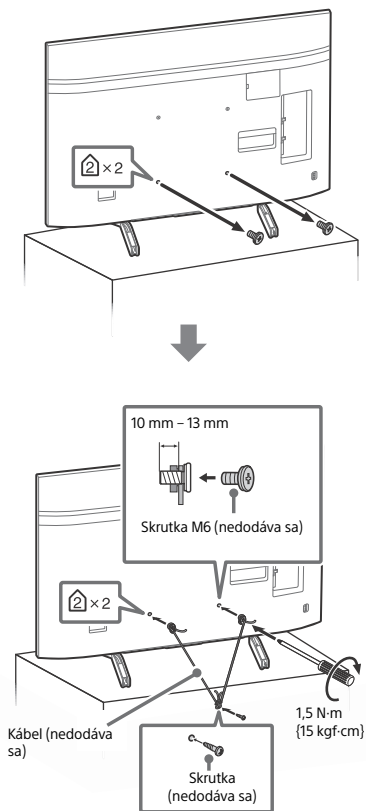
SK

## Predchádzanie prevrhnutiu

KD-85XG85xx



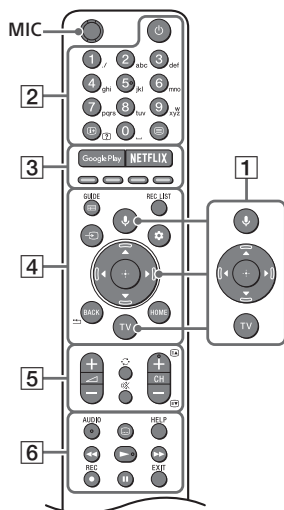
KD-75/65/55XG87xx, KD-75/65/55XG85xx





# Dialkový ovládač a televízny prijímač

Tvar diaľkového ovládača, umiestnenie, dostupnosť a funkcia tlačidiel na diaľkovom ovládači sa môžu líšiť v závislosti od oblasti/krajiny/modelu televízneho prijímača.



**1** **🎤 (Mikrofón):** Použiť hlasové vyhľadávanie. (Např. vyhľadať rôzny obsah hlasovým príkazom.)\*1

**▲/▼/◀/▶/⊕ (Navigačný D-Pad):**

Navigácia a výber ponuky na obrazovke.

**TV:** Prepnete na ľubovoľný televízny kanál alebo aktivujete a zobrazíte ponuku TV.

**2** **🔌 (Pohotovostný režim TV prijímača)**  
**Tlačidlá s číslami**

**ℹ️/? (Zobrazenie informácií/textu):**

Zobrazenie informácií.

**☰ (Text):** Zobrazenie textových informácií.

**3** **Google Play**  
**NETFLIX (Len v obmedzených oblastiach/krajinách/modeloch TV prijímačov)**  
**Farebné tlačidlá**

**4** **GUIDE/☰:** Zobrazenie programovej príručky alebo EPG káblového/satelitného prijímača\*2.

**REC LIST:** Zobrazenie zoznamu nahrávania na USB HDD alebo DVR\*2.

**↵ (Výber vstupu):** Zobrazenie a voľba zdroja vstupu a pod.

**⚙️ (Rýchle nastavenia):** Zobrazenie rýchlych nastavení.

**BACK/⬅️**

**HOME**

**5** **🔊 +/- (Hlasitosť)**

**🔄 (Prechod)**

**🔇 (Stlmenie)**

**Tip**

- Službu skratky na zjednodušenie ovládania možno zapnúť alebo vypnúť stlačením a podržaním tlačidla 🔄.

**CH +/-/⏪/⏩**

V režime TV: Výber kanála.

V režime Text: Výber nasledujúcej (⏪) alebo predchádzajúcej (⏩) stránky.

**6** **AUDIO:** Výber zvuku viacjazyčného zdroja alebo duálneho zvuku (závisí od zdroja programu).

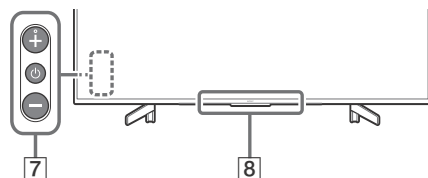
**⋮ (Nastavenie titulkov)**

**HELP:** Zobrazenie ponuky pomocníka.

**⏮️/⏭️/⏩️/⏸️**

- **REC:** Zaznamenanie práve sledovaného programu na USB HDD alebo DVR\*2.

**EXIT**



**7** **🔌 (Napájanie)**

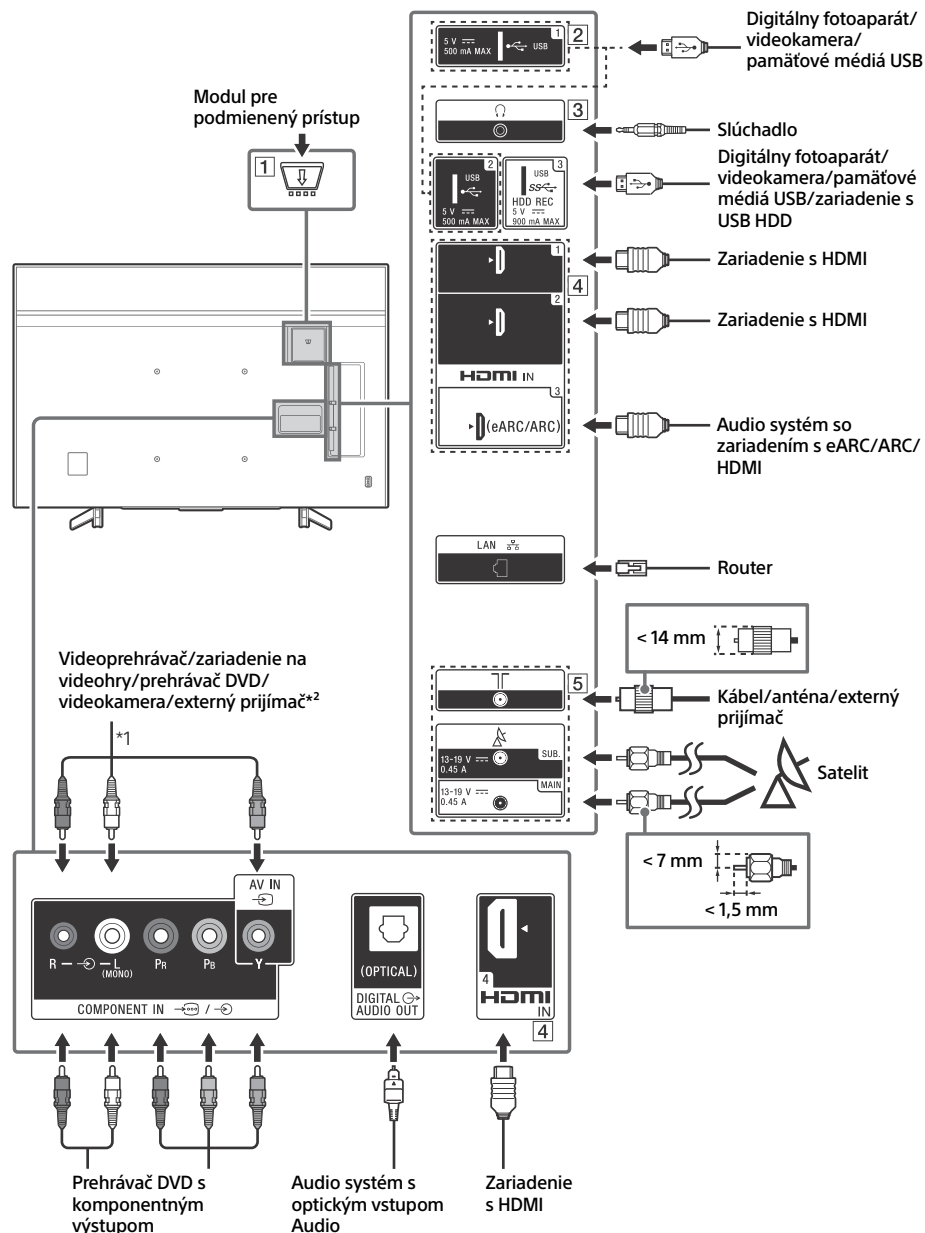
**8** **Snímač diaľkového ovládania / Svetelný snímač / Indikátor LED podsvietenia**

\*1 Funkcia hlasové vyhľadávanie vyžaduje pripojenie na internet.

\*2 Vyžaduje sa nastavenie [Nastavenie boxu káblovej televízie/satelitu] (len v obmedzených oblastiach/krajinách/modeloch TV prijímačov). Viac informácií nájdete v dokumente Príručka.

# Schéma zapojenia

Viac informácií týkajúcich sa pripojení nájdete v dokumente Príručka stlačením tlačidla **HELP** na diaľkovom ovládači.



## 1 CAM (modul pre podmienený prístup)

- Poskytujete prístup k plateným TV službám. Bližšie informácie nájdete v návode na použitie dodávanom spolu s modulom CAM.
- Inteligentnú kartu nekladajte priamo do slotu CAM TV prijímača. Musí sa vložiť do modulu podmieneného prístupu poskytnutého autorizovaným predajcom.
- Modul CAM nie je podporovaný vo všetkých krajinách/oblastiach. Poradte sa s autorizovaným predajcom.
- Keď po použití služby Internetové video prepnete na digitálny program, môže sa zobrazit hlásenie modulu CAM.

## 2 USB 1/2, USB 3 (HDD REC)\*3

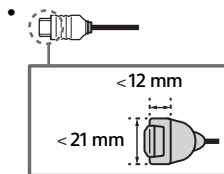
- Pripojenie veľkého zariadenia USB môže spôsobovať rušenie iných pripojených zariadení umiestnených vedľa tohto zariadenia.
- Veľké zariadenie USB pripojte do konektora USB 1.
- Pripojenie zariadenia s USB HDD do USB portu 3 (modrý).

## 3 (Slúchadlo)

- Podporuje iba 3-pólový stereo mini konektor.
- Zvuk zo slúchadla aj reproduktorov TV nemôže vychádzať súčasne.

## 4 HDMI IN 1/2/3/4

- Rozhranie HDMI umožňuje prenášať digitálny video a audio signál jedným káblom.



- Ak si chcete vychutnať obsah vo vysokej kvalite 4K 50p/60p, pripojte kábel Premium High Speed HDMI a nastavte položku [Formát signálu HDMI] na možnosť [Vylepšený formát]. Toto nastavenie urobte samostatne pri každom pripojení konektora HDMI IN. Podrobnosti o podporovaných formátoch nájdete v časti „Špecifikácie“ v tomto návode (strana 10-12).
- **HDMI IN 3 eARC/ARC (Enhanced Audio Return Channel/Audio Return Channel)**  
Pripojte audiosystém na HDMI IN 3 pre vedenie audio signálu z televízneho prijímača do audiosystému. Audiosystém, ktorý podporuje HDMI eARC/ARC, dokáže odosielať video do televízneho prijímača a prijímať audio z televízneho prijímača cez ten istý kábel HDMI. Ak váš audiosystém nepodporuje HDMI eARC/ARC, je potrebné ďalšie prepojenie s DIGITAL AUDIO OUT (OPTICAL).
- Na prepojenie audio systému s eARC použite kábel HDMI s Ethernetom.



## 5 (Vstup RF), (Satelitný vstup)

- Pripojenia pre pozemné/káblové televízne vysielanie a satelitnú televíziu. Postup pripojenia: SUB. → MAIN → Anténa
- Pre SUB. konektor pripojte iba v prípade, že používate režim dvojitého tunera s výnimkou jednokáblového rozvodu EN50494.

\*1 Monofónne zariadenia pripájajte k audio konektoru L (MONO).

\*2 Na pripojenie externého zariadenia, ktoré má len SCART AV OUT, použite adaptér SCART-RCA.

\*3 Len v obmedzených oblastiach/krajinách/modeloch TV prijímačov.

# Montáž TV prijímača na stenu

## Použitie voliteľnej Montážnej konzoly na stenu

V tomto návode na používanie televízneho prijímača sú uvedené len kroky na prípravu televízneho prijímača na inštaláciu na stenu pred samotnou inštaláciou na stenu.

### Pre zákazníkov:

Z dôvodov ochrany produktu a bezpečnosti spoločnosť Sony odporúča, aby montáž TV prijímača vykonali predajcovia spoločnosti Sony alebo licencovaní dodávatelia. Nepokúšajte sa ho montovať sami.

### Pre predajcov a dodávateľov Sony:

Počas montáže, pravidelnej údržby a kontroly tohto produktu venujte plnú pozornosť bezpečnosti.

Montáž tohto produktu vyžaduje adekvátne odborné znalosti. Obzvlášť je potrebné určiť, či je stena dostatočne pevná na to, aby udržala hmotnosť TV prijímača. Pripevnenie tohto produktu na stenu zverte predajcom alebo licencovaným dodávateľom spoločnosti Sony a počas montáže venujte náležitú pozornosť bezpečnosti. Spoločnosť Sony nezodpovedá za žiadne škody ani zranenia spôsobené nevhodnou manipuláciou alebo nesprávnou montážou.

Televízny prijímač nainštalujte na stenu pomocou Montážnej konzoly na stenu SU-WL450 (nedodáva sa).

Počas montáže Montážnej konzoly na stenu dodržiavajte aj pokyny v Návode na obsluhu a v Návode na inštaláciu dodanom s Montážnou konzolou na stenu.

### Poznámka

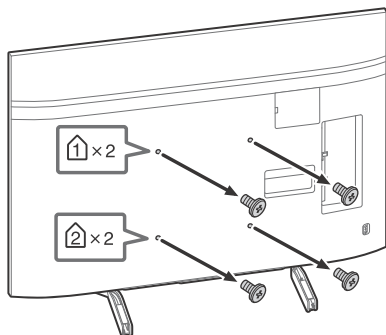
- Odskrutkované skrutky uložte na bezpečnom mieste mimo dosahu detí.



Pokyny na inštaláciu Montážnej konzoly na stenu nájdete na stránke produktu modelu televízneho prijímača v časti Informácie o inštalácii (Montážna konzola na stenu).

[www.sony.eu/support/](http://www.sony.eu/support/)

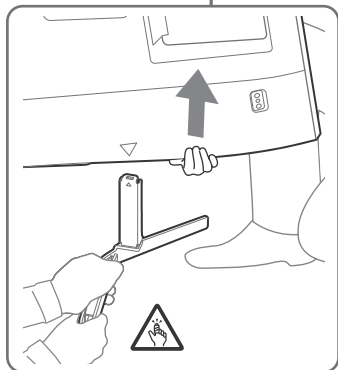
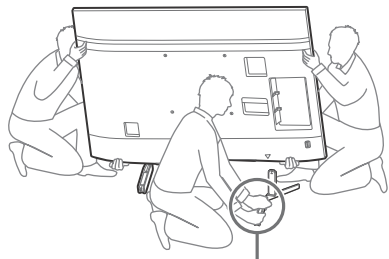
Odmontujte skrutky zo zadnej časti televízneho prijímača.



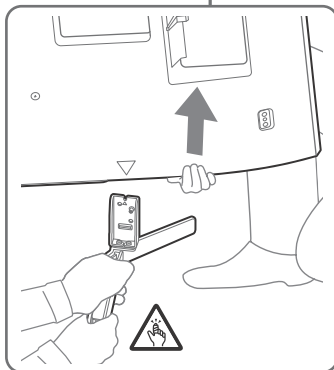
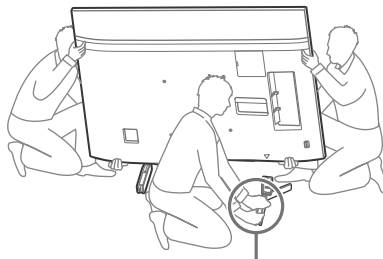
## Odpojenie stolového stojana od od televízneho prijímača

- 1 Stolový stojan odmontujte tak, že najskôr odmontujete jednu stranu, potom druhú. Pevne držte stolový stojan bezpečne oboma rukami, kým ďalšie osoby zdvíhajú televízny prijímač.

KD-85XG85xx



KD-75/65/55XG87xx, KD-75/65/55XG85xx



- 2 Zopakujte predchádzajúci krok a odmontujte druhú stranu stolového stojana.

### Poznámka

- Na odpojenie stolového stojana sú potrební traja alebo viacerí ľudia.
- Dbajte na to, aby ste pri odpájaní stolového stojana od televízneho prijímača nepoužívali nadmernú silu, pretože by mohlo dôjsť k pádu televízneho prijímača, čo by mohlo spôsobiť zranenie osôb alebo poškodenie televízneho prijímača.
- Pri manipulácii so stolovým stojanom buďte opatrní, aby aby nedošlo k poškodeniu televízneho prijímača.
- Buďte opatrní, keď dvíhate televízny prijímač pri odpájaní stolového stojana – stolový stojan sa môže prevrhnúť a spôsobiť zranenie.
- Pri demontáži stolového stojana z televízneho prijímača buďte opatrní, aby nedošlo k jeho prevrnutiu a poškodeniu povrchu, na ktorom je televízny prijímač postavený.

## Riešenie problémov

Všeobecné riešenie problémov, ako sú: čierna obrazovka, žiadny zvuk, zamrznutý obraz, televízny prijímač nereaguje alebo sa stratila sieť, vykonajte nasledujúce kroky.

- 1 Reštartujte televízny prijímač stlačením hlavného vypínača na diaľkovom ovládači, kým sa neobjaví hlásenie. Televízny prijímač sa reštartuje. Ak televízny prijímač nezačne fungovať, skúste odpojiť sieťový kábel. Potom stlačte tlačidlo napájania na televízore a počkajte dve minúty, potom zapojte sieťový kábel.
- 2 Pozrite ponuku pomocníka stlačením tlačidla **HELP** na diaľkovom ovládači.
- 3 Pripojte televízny prijímač na internet a vykonajte aktualizáciu softvéru. Spoločnosť Sony odporúča udržiavať softvér TV aktualizovaný. Aktualizácie softvéru poskytujú nové funkcie a vylepšenia výkonu.
- 4 Navštívte webovú lokalitu podpory spoločnosti Sony (informácie uvedené na prednej strane obálky tejto príručky).

**Keď televízny prijímač zapojíte, televízny prijímač sa možno nezapne, aj keď stlačíte tlačidlo hlavného vypínača na diaľkovom ovládači alebo na televíznom prijímači.**

Inicializácia systému trvá určitú dobu. Počkajte približne jednu minútu a potom to skúste znova.

### Problémy a riešenia

**Keď bliká indikátor LED načerveno.**

- Počítajte, koľko krát zabliká (časový interval je tri sekundy).

Televízny prijímač resetujte tak, že odpojíte sieťový kábel, kým indikátor LED prestane blikáť načerveno, potom televízny prijímač znova zapnete.

Ak problém pretrváva, odpojte napájací kábel a kontaktujte predajcu alebo servisné stredisko spoločnosti Sony a uveďte počet bliknutí indikátora LED.

**Nie je možné prijať terestriálnu/káblovú službu.**

- Skontrolujte, či je pripojená anténa/kábel, a nastavenie booster.
- Vyberte terestriálnu/káblovú službu stlačením tlačidla **TV** na diaľkovom ovládači, potom vyberte položku [Digitálny] ak sa vysielacia služba nezobrazí.

- Terestriálny signál môže byť potlačený, ak je v blízkosti iný silný signál. V nastavení digitálneho ladenia nastavte [LNA (K ---)] na [Vyp.].
- Po presťahovaní do nového domu alebo keď sa snažíte prijímať novú službu, pokúste sa o vyhľadanie služby výberom [Digitálne ladenie].

**Nie je možné prijať satelitnú službu.**

- Skontrolujte pripojenie satelitného kábla.
- Keď sa objaví správa [Žiadny signál. Zistené preťaženie LNB...], odpojte napájací kábel. Potom skontrolujte, či nie je satelitný kábel poškodený a či vedenie satelitného signálu nemá skrat v satelitnom konektore.

**Diaľkový ovládač nefunguje.**

- Vymeňte batérie.

**Heslo rodičovského zámku pre vysielanie bolo zabudnuté.**

- Zadajte ako kód PIN 9999 a vyberte [Zmeniť PIN kód].

**Okraj televízneho prijímača sa zahrieva.**

- Keď sa televízny prijímač používa dlhšiu dobu, okraj televízneho prijímača je teplejší. Môžete to cítiť, keď sa ho dotknete rukou.

## Špecifikácie

### Systém

Systém panela

Panel LCD (displej s tekutými kryštálmi), Podsvietenie LED

Systém televízneho vysielania

V závislosti od výberu krajiny a regiónu/modelu televízneho prijímača

Analogový: B/G, D/K, I

Digitálny: DVB-T/DVB-C

DVB-T2\*1

Satelit\*1: DVB-S/DVB-S2

Systém farieb

PAL/SECAM/NTSC3.58 (len video)/NTSC4.43 (len video)

Kanálový rozsah

V závislosti od výberu krajiny a regiónu/modelu televízneho prijímača

Analogový: UHF/VHF/káblový

Digitálny: UHF/VHF/káblový

Satelit\*1: Medzifrekvenca 950-2 150 MHz

Zvukový výstup

10 W + 10 W

Bezdrôtová technológia

Protokol IEEE802.11ac/a/b/g/n

(IEEE802.11ac nemusí byť dostupné v závislosti od krajiny alebo regiónov.)

Bluetooth verzia 4.2

## Frekvenčné pásmo/pásma

Bezdrôtová sieť LAN (IEEE802.11ac/a/b/g/n)	
Frekvenčný rozsah	Výstupný výkon
2 400-2 483,5 MHz	< 20,0 dBm
5 150-5 250 MHz	< 23,0 dBm
5 250-5 350 MHz	< 20,0 dBm
5 470-5 725 MHz	< 20,0 dBm
5 725-5 850 MHz	< 13,9 dBm

Bluetooth	
Frekvenčný rozsah	Výstupný výkon
2 400-2 483,5 MHz	< 10,0 dBm

RFMC-TX600E/TX500E

Bluetooth	
Frekvenčný rozsah	Výstupný výkon
2 400-2 483,5 MHz	< 10,0 dBm

## Verzia softvéru

Toto rádiové zariadenie je určené na používanie so schválenými verziami softvéru, ktoré sú uvedené vo Vyhlásení o zhode pre EÚ.

Na zistenie verzie softvéru stlačte tlačidlo **HELP** na diaľkovom ovládači.

Diaľkový ovládač:

Vyberte položku [Diaľkový ovládač] → [Verzia softvéru] z ponuky [Nastavenia]. Viac informácií nájdete v dokumente Príručka.

Je overené, že softvér nahraný na toto rádiové zariadenie je v súlade so základnými požiadavkami smernice 2014/53/EÚ.

## Vstupné a výstupné konektory

### Anténa/kábel

75 ohmov, externý konektor pre VHF/UHF

### Satelitná anténa<sup>1</sup>

Konektor samica typu F, 75 ohmov.

DiSEqC 1.0, LNB 13 V/18 V a tón 22 kHz, Jednokábový rozvod EN50494.

### COMPONENT IN

YPeP<sub>B</sub> (Komponentné video): 1080p (50, 60 Hz), 1080i (50, 60 Hz), 720p (50, 60 Hz), 576p, 576i, 480p, 480i

Vstup Audio (kolíkové konektory)

### AV IN

Vstup video (spoločný konektor fonu so vstupom Y)

HDMI IN 1/2/3/4 (podpora rozlíšenia 4K, HDCP 2.3 - kompatibilné)

### Video:

4096 × 2160p (50, 60 Hz)<sup>2+3</sup>, 4096 × 2160p (24 Hz)<sup>2</sup>, 3840 × 2160p (50, 60 Hz)<sup>3</sup>, 3840 × 2160p (24, 25, 30 Hz), 1080p (30, 50, 60 Hz), 1080/24p, 1080i (50, 60 Hz), 720p (30, 50, 60 Hz), 720/24p, 576p, 480p, Formáty PC<sup>4</sup>

### Audio:

V režime eARC (Enhanced Audio Return Channel)<sup>5</sup>

Podrobnosti nájdete v Príručke.

Okrem režimu eARC

5,1 lineárny kanál PCM: 32/44,1/48/88,2/96/176,4/192 kHz

16/20/24 bitov, Dolby Digital, Dolby Digital Plus, DTS

eARC/ARC (Enhanced Audio Return Channel/Audio Return Channel) (Len model HDMI IN 3)

V režime eARC<sup>5</sup>

Podrobnosti nájdete v Príručke.

V režime ARC

Dvojkábový lineárny PCM: 48 kHz 16 bitov, Dolby Digital, Dolby Digital Plus, DTS

### DIGITAL AUDIO OUT (OPTICAL)

Digitálny optický konektor (dvojkábový lineárny PCM: 48 kHz 16 bitov, Dolby Digital, DTS)

## (Stereo mini konektor)

Slúchadlo

1, 2, 3 (HDD REC)<sup>6</sup>

Port v zariadení USB ( 3 Zariadenie s USB HDD pre funkciu REC)

Port USB 1 a 2 podporujú vysokorychlostné pripojenie USB (USB 2.0)

Port USB 3 podporuje super vysokorychlostné pripojenie USB (USB 3.1 Gen 1)



Slot CAM (modul pre podmienený prístup)



LAN

Konektor 10BASE-T/100BASE-TX (V závislosti od prevádzkového prostredia siete sa môže rýchlosť pripojenia meniť. Rýchlosť a kvalita komunikácie nie je pre tento TV prijímač zaručená.)

## Iné

### Voliteľné príslušenstvo

Montážna konzola na stenu: SU-WL450

Prevádzková teplota

0 °C – 40 °C

Prevádzková vlhkosť

10 % – 80 % RH (nekondenzovaná)

## Napájanie, informácie o produkte a ďalšie

### Požiadavky na napájanie

220 V – 240 V striedavého prúdu, 50 Hz

Trieda energetickej účinnosti

KD-85XG85xx: A

KD-75XG87xx / KD-75XG85xx: A+

KD-65XG87xx / KD-65XG85xx: A

KD-55XG87xx / KD-55XG85xx: A

Rozmery obrazovky (merané diagonálne) (Príbl.)

KD-85XG85xx: 214,8 cm / 85 palcov

KD-75XG87xx / KD-75XG85xx: 189,3 cm / 75 palcov

KD-65XG87xx / KD-65XG85xx: 163,9 cm / 65 palcov

KD-55XG87xx / KD-55XG85xx: 138,8 cm / 55 palcov

### Príkon

V režime [Štandardný]

KD-85XG85xx: 216 W

KD-75XG87xx / KD-75XG85xx: 158 W

KD-65XG87xx / KD-65XG85xx: 127 W

KD-55XG87xx / KD-55XG85xx: 111 W

V režime [Živý]

KD-85XG8596: 362 W

KD-75XG8796: 275 W

KD-75XG8599: 275 W

KD-75XG8596: 275 W

KD-75XG8588: 275 W

KD-75XG8505: 275 W

KD-65XG8796: 221 W

KD-65XG8599: 221 W

KD-65XG8596: 221 W

KD-65XG8588: 221 W

KD-65XG8577: 221 W

KD-65XG8505: 221 W

KD-55XG8796: 186 W

KD-55XG8599: 186 W

KD-55XG8596: 186 W

KD-55XG8588: 186 W

KD-55XG8577: 186 W

KD-55XG8505: 186 W

Ročná spotreba energie<sup>7</sup>

KD-85XG85xx: 300 kWh za rok

KD-75XG87xx / KD-75XG85xx: 219 kWh za rok

KD-65XG87xx / KD-65XG85xx: 176 kWh za rok

KD-55XG87xx / KD-55XG85xx: 154 kWh za rok

Príkon v pohotovostnom režime<sup>8,9</sup>

0,50 W (25 W v režime aktualizácie softvéru/EPG)

Rozlíšenie displeja

3 840 bodov (vodrovno) × 2 160 riadkov (zvisle)

Menovitý výkon

USB 1/2

5 V , max. 500 mA

USB 3

5 V , max. 900 mA

## Rozmery (Pribl.) (š × v × h)

so stolovým stojanom

KD-85XG85xx: 190,9 × 117,5 × 43,3 cm  
KD-75XG87xx / KD-75XG85xx: 167,3 × 103,1 × 35,8 cm  
KD-65XG87xx / KD-65XG85xx: 145,0 × 89,9 × 31,6 cm  
KD-55XG87xx / KD-55XG85xx: 123,1 × 77,6 × 31,6 cm

bez stolového stojana

KD-85XG85xx: 190,9 × 109,7 × 8,0 cm  
KD-75XG87xx / KD-75XG85xx: 167,3 × 96,3 × 5,4 cm  
KD-65XG87xx / KD-65XG85xx: 145,0 × 83,6 × 5,2 cm  
KD-55XG87xx / KD-55XG85xx: 123,1 × 71,3 × 5,2 cm

## Hmotnosť (Pribl.)

so stolovým stojanom

KD-85XG85xx: 49 kg  
KD-75XG87xx / KD-75XG85xx: 39,3 kg  
KD-65XG87xx / KD-65XG85xx: 26,3 kg  
KD-55XG87xx / KD-55XG85xx: 19,7 kg

bez stolového stojana

KD-85XG85xx: 46,5 kg  
KD-75XG87xx / KD-75XG85xx: 37,8 kg  
KD-65XG87xx / KD-65XG85xx: 25,3 kg  
KD-55XG87xx / KD-55XG85xx: 18,7 kg

- \*1 Nie všetky televízne prijímače majú technológiu DVB-T2 alebo DVB-S/S2 alebo konektor pre satelitnú anténu.
- \*2 Keď je vstup 4096 × 2160p a [Široký režim] je nastavené na [Standardný], rozlíšenie sa zobrazí ako 3840 × 2160p. Na zobrazenie 4096 × 2160p vyberte nastavenie [Široký režim] na [Plný 1] alebo [Plný 2].
- \*3 Ak si želáte podporu 18 Gb/s, nastavte [Formát signálu HDMI] na [Vylepšený formát].
- \*4 Podrobnosti nájdete v Príručke.
- \*5 Režim eARC je aktívny, keď je položka [Režim eARC] nastavená na možnosť [Auto], položka [Reproduktor] je nastavená na možnosť [Audio systém] a je pripojený audio systém kompatibilný s funkciou eARC.
- \*6 Len v obmedzených oblastiach/krajinách/modeloch TV prijímačov.
- \*7 Spotreba energie za rok v kWh. Táto hodnota platí pre spotrebu energie v prípade televízneho prijímača, ktorý bude používaný 4 hodiny denne počas 365 dní. Skutočná spotreba energie bude závisieť na spôsobe používania televízneho prijímača.
- \*8 Uvedený príkon v pohotovostnom režime sa dosiahne, keď televízny prijímač dokončí nevyhnutné vnútorné procesy.
- \*9 Spotreba energie v pohotovostnom režime sa zvýši po pripojení televízneho prijímača k sieti.

## Poznámka

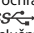
- Neodstraňujte maketu karty alebo kryt (dostupnosť závisí od modelu televízneho prijímača) zo slotu CAM (modul pre podmienený prístup) televízneho prijímača okrem prípadu, že do slotu CAM chcete vložiť kartu Smart Card.
- Dostupnosť voliteľného príslušenstva závisí od krajiny/regiónu/modelu TV prijímača/zásob.
- Dizajn a špecifikácie sa môžu zmeniť bez oznámenia.

## Poznámky k funkcii Digital TV

- Digitálna TV (terestriálne, satelitné a káblové DVB), interaktívne služby a sieťové funkcie nemusia byť dostupné vo všetkých krajinách alebo oblastiach. Niektoré funkcie nemusia byť aktivované alebo nemusia fungovať správne u niektorých poskytovateľov alebo v sieťových prostrediach. Niektorí poskytovatelia TV služieb môžu za svoje služby účtovať poplatok.
- Táto TV podporuje digitálne vysielanie s použitím kodekov MPEG-2, H.264/MPEG-4 AVC a H.265/HEVC, ale nie je možné zaručiť kompatibilitu so signálmi všetkých operátorov/služieb, ktoré sa môžu v priebehu času meniť.

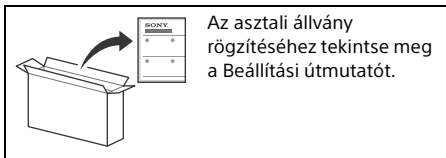
## Informácie o ochranných známkach

- Výrazy HDMI, HDMI High-Definition Multimedia Interface a logo HDMI sú obchodnými známkami alebo registrovanými obchodnými známkami spoločnosti HDMI Licensing Administrator, Inc. v Spojených štátoch amerických a ďalších krajinách.

- Dolby, Dolby Vision, Dolby Audio a dvojitý symbol D sú obchodné značky spoločnosti Dolby Laboratories. Vyrobené na základe licencie od spoločnosti Dolby Laboratories. Dôverne nezverejnené diela. Autorské právo © 1992-2015 Dolby Laboratories. Všetky práva vyhradené.
- „BRAVIA“, BRAVIA a BRAVIA Sync sú ochranné známky alebo registrované ochranné známky spoločnosti Sony Corporation.
- Gracenote, logo a logotyp Gracenote a logo „Powered by Gracenote“ sú registrované ochranné známky alebo ochranné známky spoločnosti Gracenote, Inc., v USA a/alebo v iných krajinách.
- Vewd® Core. Copyright 1995-2019 Vewd Software AS. All rights reserved.
- Google, Google Play, Chromecast, YouTube, Android TV a ďalšie súvisiace značky a logá sú ochrannými známkami spoločnosti Google LLC.
- Wi-Fi®, Wi-Fi Alliance® a Wi-Fi Direct® sú registrované ochranné známky spoločnosti Wi-Fi Alliance.
- Logo Wi-Fi CERTIFIED™ je certifikačná známka spoločnosti Wi-Fi Alliance.
- Informácie o patentoch DTS nájdete na adrese <http://patents.dts.com>. Vyrobené na základe licencie od spoločnosti DTS, Inc. DTS, symbol a DTS a symbol znázornený spolu sú registrované ochranné známky a DTS Digital Surround je ochranná známka spoločnosti DTS, Inc. © DTS, Inc. Všetky práva vyhradené.
- Slovná značka a logá Bluetooth® sú registrované ochranné známky vlastnené spoločnosťou Bluetooth SIG, Inc. a akékoľvek použitie týchto značiek zo strany spoločnosti Sony Corporation sa realizuje na základe licencie. Ostatné ochranné známky a obchodné názvy sú vlastníctvom príslušných vlastníkov.
- Netflix je registrovaná ochranná známka spoločnosti Netflix, Inc.
- DiSEqC™ je ochranná známka spoločnosti EUTELSAT. Tento TV prijímač podporuje DiSEqC 1.0. Tento TV prijímač nie je určený pre kontrolné motorizované antény.
- TUXERA je registrovaná ochranná známka spoločnosti Tuxera Inc. registrovaná v USA a iných krajinách.
- Logo USB-IF SuperSpeed USB Trident je registrovaná ochranná známka spoločnosti USB Implementers Forum, Inc. 
- Všetky ostatné ochranné známky sú vlastníctvom príslušných vlastníkov.







Az asztali állvány rögzítéséhez tekintse meg a Beállítási útmutatót.

## Tartalomjegyzék

FONTOS FIGYELMEZTETÉS .....	2
Biztonsági előírások .....	3
Távvezérlő és TV .....	5
Csatlakoztatási ábra .....	6
A tv felszerelése a falra .....	8
Az opcionális Fali konzol használata .....	8
Az asztali állvány leválasztása a televízióról .....	9
Hibaelhárítás .....	10
Problémák és megoldások .....	10
Műszaki adatok .....	10

### Internetkapcsolat és adatvédelem

Ez a termék a kezdeti beállítás alatt csatlakozik az internethez, amint van hálózati kapcsolata, egyrészt az internetkapcsolat ellenőrzésére, később pedig a Kezdőképernyő konfigurálására. A rendszer erre a célra, és minden más internetkapcsolathoz is használja az IP-címét. Ha azt szeretné, hogy a rendszer egyáltalán ne használja az IP-címét, ne állítsa be a vezeték nélküli internet funkciót, és ne csatlakoztasson internetkábel. Az internetkapcsolatokra vonatkozó további információkért tekintse meg a beállítási képernyőn található adatvédelmi információkat.

## Bevezetés

Köszönjük, hogy ezt a Sony terméket választotta. Kérjük, mielőtt üzembe helyezi a készüléket, olvassa el figyelmesen ezt a használati utasítást, és őrizze meg, mert a későbbiekben is szüksége lehet rá.

### Megjegyzés

- Kérjük, hogy a tv használata előtt olvassa el a következőt: „Biztonsági előírások” (3. oldal).
- További biztonsági előírásokért olvassa el a mellékelt Biztonsági előírások részt.
- A Beállítási útmutatóban, valamint az ebben az útmutatóban szereplő képek és ábrák csak tájékoztatósi célokat szolgálnak, és eltérhetnek a valós terméktől.
- A típusnévben szereplő „xx” a kialakításra, a színváltozatra vagy a televízió-rendszerre vonatkozó számjegyeket felel meg.

### Súgó

További hibaelhárítási tudnivalókat és más hasznos információkat közvetlenül a TV-n is elérhet. Nyomja meg a távvezérlő **HELP** gombját a témakörök listájának megjelenítéséhez, illetve a kulcsszó szerinti kereséshez.

### Súgóútmutató (kézikönyv)

Részletesebb leírásért válassza a TV Súgó menüjének [Súgóútmutató] elemét. A Súgóútmutatót PC-ről vagy okostelefonról is megnyithatja (a vonatkozó tudnivalók a jelen kézikönyv hátoldalán olvashatók).

### Az azonosító címke helye

A típusszám, a gyártási idő (év/hónap) és az áramellátás típusának címkeje a televízió hátulján vagy a csomagoláson található.

## FONTOS FIGYELMEZTETÉS

### Megjegyzés a rádióberendezéssel kapcsolatban



A Sony Visual Products Inc. igazolja, hogy a KD-85XG8596, KD-75XG8796, KD-75XG8599, KD-75XG8596, KD-75XG8588, KD-75XG8505, KD-65XG8796, KD-65XG8599, KD-65XG8596, KD-65XG8588, KD-65XG8577, KD-65XG8505, KD-55XG8796, KD-55XG8599, KD-55XG8596, KD-55XG8588, KD-55XG8577, KD-55XG8505 típusú rádiós berendezések megfelelnek a 2014/53/EU irányelv előírásainak. Az EU-megfelelőségi nyilatkozat teljes szövege elérhető a következő internetes címen: <http://www.compliance.sony.de/>

Megjegyzés a felhasználók számára: a következő tájékoztatás az EU irányelveit alkalmazó országokban értékesített készülékekre vonatkozik.

Erre a rádióberendezésre vonatkozóan az üzembe helyezéssel kapcsolatos következő korlátozások, vagy a használat jóváhagyásával kapcsolatos következő követelmények alkalmazandók ezekben az országokban: AT, BE, HR, CY, CZ, DK, EE, FI, FR, DE, EL, HU, IE, IT, LV, LT, LU, MT, NL, PL, PT, SK, SI, ES, SE, UK, IS, LI, NO, CH, BG, RO, TR, AL, BA, MK, MD, RS, ME, Koszovó : Az 5 150 – 5 350 MHz-es sáv beltéri használatra van korlátozva.

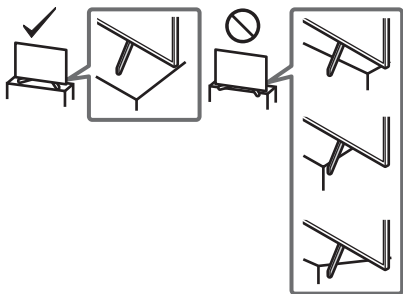
## Biztonsági előírások

### Üzembe helyezés, beállítás

Tűz, áramütés, anyagi kár vagy sérülés elkerülése érdekében a tv-készüléket az alábbi utasításoknak megfelelően helyezze üzembe és használja.

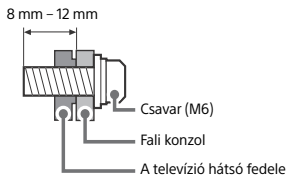
#### Üzembe helyezés

- A tv-készüléket egy könnyen elérhető hálózati aljzat közelébe helyezze.
- Helyezze a tv-készüléket stabil, sík felületre, hogy megelőzze annak leesését, ami személyi sérülést, vagy a tulajdon megrongálódását okozhatja.
- Helyezze a tv-készüléket egy olyan helyre, ahonnan nem lehet lerántani, lelökni vagy feldönteni.
- Helyezze el úgy a tv-készüléket, hogy a tv asztali állványa ne lógjon túl a tv-állványon (nincs mellékelve). Ha az asztali állvány túllóg a tv-állványon, az a tv-készülék eldőlését vagy leesését okozhatja, ami személyi sérülést vagy a tv megrongálódását eredményezheti.

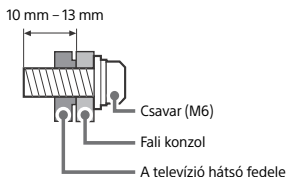


- A készülék falra szerelését szakemberrel végeztesse.
- Biztonsági okokból, határozottan javasolt az eredeti Sony tartozékok használata, közöttük a következők:  
– Fali konzol SU-WL450
- A Fali konzolt a Fali konzolhoz mellékelte csavarokkal rögzítse a tv-készülékhez. A mellékelte csavarok kialakítása az ábrának megfelelő, a Fali konzol csatlakozófelületétől mérve. A csavarok hossza és átmérője a Fali konzol típusától függően különböző.  
A mellékelte csavarok helyett más csavarok használata a tv-készülék belső sérülését eredményezheti, illetve a készülék leesését stb. okozhatja.

#### KD-85XG85xx



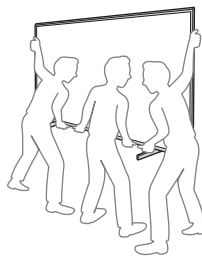
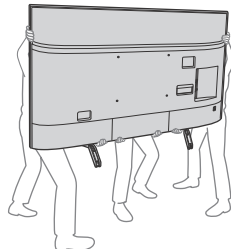
#### KD-75/65/55XG87xx, KD-75/65/55XG85xx



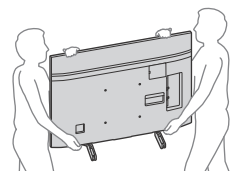
### Szállítás

- A TV-készülék szállítása előtt húzza ki az összes kábelt.
- A nagy TV-készülék szállításához legalább két (az KD-85XG85xx esetében legalább három) ember szükséges.
- Ha kézzel szállítja a tv-készüléket, akkor azt az alábbi ábra szerint kell megfogni. Ne gyakoroljon nyomást az LCD-képernyőre és a képernyőt körülvevő keretre.
- Ha felemeli vagy áthelyezi a tv-készüléket, az aljánál fogja meg.

#### KD-85XG85xx



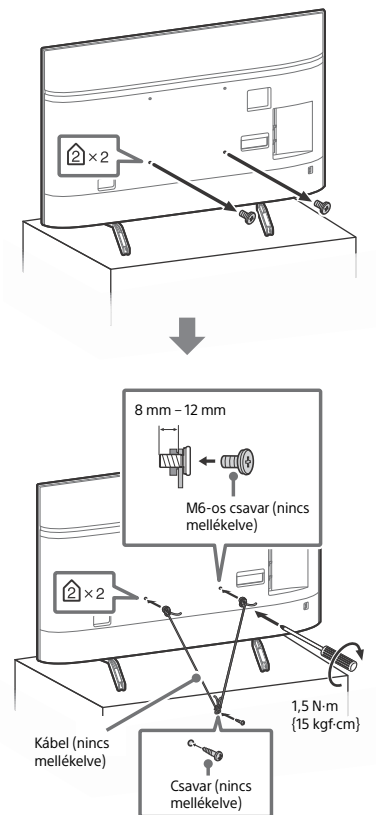
#### KD-75/65/55XG87xx, KD-75/65/55XG85xx



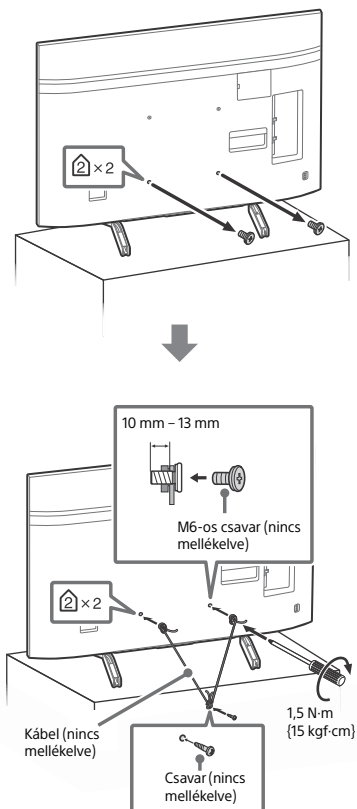
- Amikor szállítja a készüléket, ne tegye ki ütődésnek vagy erős rázkódásnak.
- Ha a készüléket szervizbe szállítja vagy költözködik, mindig csomagolja vissza az eredeti dobozába.

## A felborulás megakadályozása

KD-85XG85xx

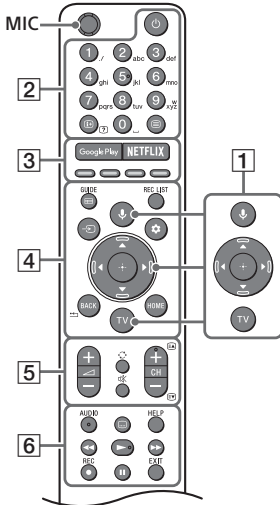


KD-75/65/55XG87xx, KD-75/65/55XG85xx



## Távvezérlő és TV

A távvezérlő alakja, gombjainak helye, elérhetősége és funkciója a régiótól/országtól/a televízió típusától függően változhat.



**1** **🎤 (Mikrofon):** Használja a hangalapú keresést. (Például különböző tartalmak keresése beszéd alapján.)<sup>\*1</sup>

**▲/▼/◀/▶/⊕ (navigációs D-panel):** A képernyőn történő navigálás és elemkiválasztás eszköze.

**TV:** Segítségével átválthat tv-csatornára vagy bemeneti csatornára, illetve megjelenítheti a Tv menü lehetőséget.

**2** **🔌 (Készenléti üzemmód)**

**Számgombok**

**ℹ️/? (Információ/Szöveg felfedése):** Információk megjelenítése.

**☰ (Teletext):** Teletext információk megjelenítése.

**3** **Google Play**

**NETFLIX (Csak egyes régiókban/országokban/tv-modellekben)**

**Színes gombok**

**4** **GUIDE/☰:** A digitális műsorújság vagy a kábel/műholdas egység EPG-jének megjelenítése<sup>\*2</sup>.

**REC LIST:** Az USB HDD eszköz vagy a DVR felvételi listájának megjelenítése<sup>\*2</sup>.

**➡️ (Bemenetválasztás):** Jelenítse meg és válassza ki a bemeneti forrást stb.

**⚙️ (Gyors beállítások):** Gyors beállítások megjelenítése.

**BACK/⬅️**

**HOME**

**5** **↗️ +/- (Hangerő)**

**🔄 (Ugrás)**

**⌘ (Némítás)**

**Tipp**

- A hozzáférési parancsikon szolgáltatás be- vagy kikapcsolható a **⌘** megnyomásával és nyomva tartásával.

**CH +/-/⏪/⏩**

Tv üzemmódban: Csatornák kiválasztása.

Teletext üzemmódban: A következő (**⏪**) vagy az előző (**⏩**) oldal kiválasztása.

**6** **AUDIO:** Válassza ki a többnyelvű forrás hangját vagy a kettős hangot (a műsor forrásától függően).

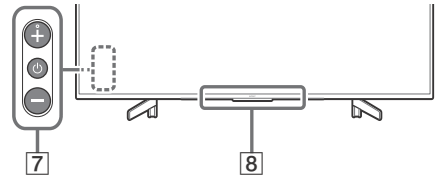
**☰ (Feliratok beállítása)**

**HELP:** Súgó menü megjelenítése.

**⏮️/⏪/⏩/⏭️**

**● REC:** Az aktuálisan megtekintett műsor rögzítése USB HDD vagy DVR eszközre<sup>\*2</sup>.

**EXIT**



**7** **🔌 (Bekapcsolás)**

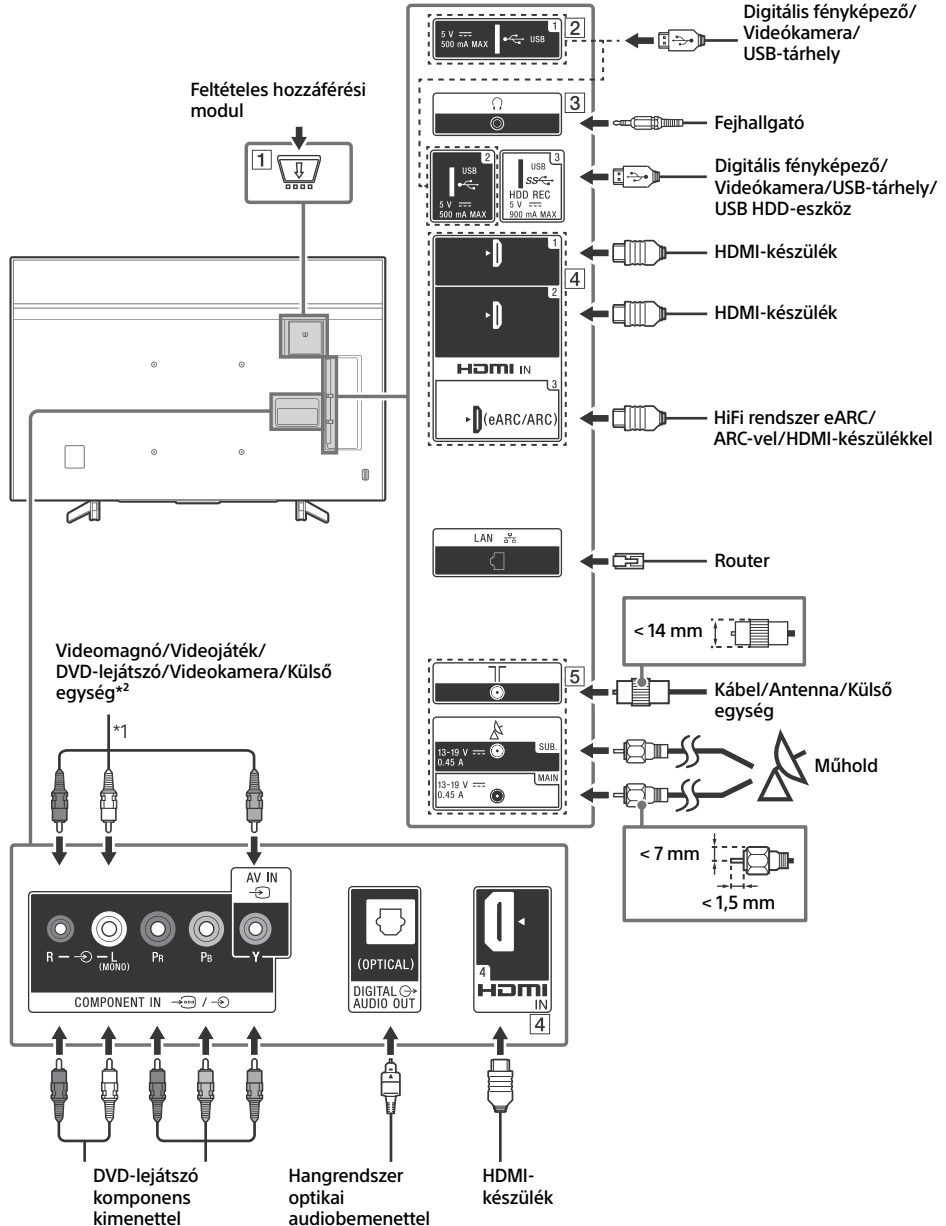
**8** **Távvezérlő érzékelője / Fényérzékelő / LED-megvilágítás**

<sup>\*1</sup> A hangalapú kereséshez internet-kapcsolat szükséges.

<sup>\*2</sup> [Kábel/műholdas doboz beállítása] beállítás szükséges (csak egyes régiók/országok/TV-modellek esetén). További információért tekintse meg a Súgóútmutatót.

# Csatlakoztatási ábra

A csatlakozásokra vonatkozó további információért tekintse meg a Súlyútmutatót a távvezérlő **HELP** gombjának megnyomásával.



### 1 CAM (feltételes hozzáférési modul)

- Hozzáférést biztosít a fizetős televíziószolgáltatásokhoz. A részleteket lásd a CAM mellékelt használati útmutatójában.
- Az intelligens kártyát ne helyezze közvetlenül a televíziókészülék CAM kártyahelyére. Egy hivatalos forgalmazó által biztosított feltételes hozzáférési modulba kell beilleszteni.
- A CAM előfizetői kártya egyes országokban/régiókban nem támogatott. Érdeklődjön egy hivatalos forgalmazónál.
- Egy CAM üzenet jelenhet meg olyankor, amikor az internetes videók használatát követően digitális műsorra vált.

### 2 USB 1/2, USB 3 (HDD REC)\*<sup>3</sup>

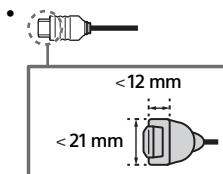
- Egy nagyobb méretű USB-eszköz csatlakoztatása zavarhatja a közelében lévő többi csatlakoztatott eszközt.
- Amikor egy nagyobb méretű USB-eszközt csatlakoztat, csatlakoztassa az USB 1 aljzatba.
- Csatlakoztasson USB HDD eszközt az USB 3 (kék) porthoz.

### 3 (Fejhallgató)

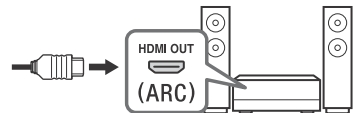
- Csak a 3 pólusú sztereó mini csatlakozót támogatja.
- A hang nem hallható egyidejűleg a fejhallgatón és a TV hangszóróján is.

### 4 HDMI IN 1/2/3/4

- A HDMI-csatoló képes a digitális video- és audiojeleket egyetlen kábelben át továbbítani.



- A kiváló minőségű 4K 50p/60p tartalom lejátszásához Premium High Speed HDMI kábelt használjon és a [HDMI-jelformátum] beállítást állítsa [Javított formátum] értékre. Ezt a beállítást minden egyes csatlakoztatott HDMI IN csatlakozóra el kell végezni. A támogatott formátumokkal kapcsolatos részletekért tekintse meg a kézikönyv „Műszaki adatok” részét (10–12. oldal).
- **HDMI IN 3 eARC/ARC (Enhanced Audio Return Channel/Audio Return Channel)**  
Csatlakoztassa hangrendszerét a HDMI IN 3 aljzathoz, hogy a TV audiojelei eljussanak a hangrendszeréhez. A HDMI eARC/ARC szabványt támogató hangrendszer képes videoadatokat küldeni a TV készüléknek, valamint audiojeleket fogadni a TV-től egyazon HDMI-kábelen keresztül. Ha a hangrendszere nem támogatja a HDMI eARC/ARC szabványt, kiegészítő DIGITAL AUDIO OUT (OPTICAL) kapcsolatra van szükség.
- Használjon Ethernet-képes HDMI-kábelt eARC szabványt támogató hangrendszer csatlakoztatásához.



### 5 (RF-bemenet), (Műholdas bemenet)

- Földi/kábeles és műholdas csatlakozások. Csatlakoztatás lépései: SUB. → MAIN → Antenna
- A SUB. csatlakozót csak akkor csatlakoztassa, ha ikertuneres üzemmódot használ az egykábeles jelszétosztó rendszer EN50494 kivételével.

\*1 Mono berendezést az L (MONO) audiocsatlakozóra kell csatlakoztatni.

\*2 Csak SCART AV OUT kimenettel rendelkező külső eszköz esetében használjon SCART-RCA adaptert.

\*3 Csak egyes régiókban/országokban/tv-modellekben.

# A tv felszerelése a falra

## Az opcionális Fali konzol használata

A TV jelen használati útmutatója csak a falra történő rögzítés előkészítésének lépéseit mutatja be.

### Vásárlóink figyelmébe:

Termék- és baleset-biztonsági okokból a Sony azt tanácsolja, hogy a tv-készülék üzembe helyezését Sony viszonteladó vagy alvállalkozó hajtsa végre. Ne kísérelje meg a termék önálló felszerelését.

### Sony viszonteladók és alvállalkozók figyelmébe:

A termék üzembe helyezésekor, rendszeres karbantartásakor és vizsgálatakor maradéktalanul tartson be minden biztonsági óvintézkedést.

A készülék felszerelése megfelelő szaktudást igényel, különösen a tv-készülék súlyát tartó fal teherbírásának megállapítását illetően. A készülék falra rögzítését mindig bizza Sony viszonteladóra vagy alvállalkozóra, és szereléskor ügyeljen a biztonságra. A Sony nem vállal felelősséget a gondatlan vagy szakszerűtlen szerelésből eredő személyi sérülésekért vagy anyagi károkért.

Használja az SU-WL450 Fali konzolt (nincs mellékelve) a TV falra történő rögzítéséhez.

A Fali konzol felszerelésekor olvassa el a Fali konzolhoz mellékelt Kezelési útmutatót és Felszerelési útmutatót is.

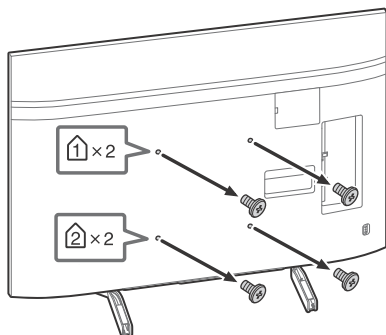
### Megjegyzés

- Az eltávolított csavarokat biztos helyen, gyermekek elől elzárva tárolja.



A Fali konzolos felszerelésre vonatkozó útmutatásért olvassa el a Fali konzolhoz tartozó felszerelési tudnivalókat az adott TV-típus termékoldalon.  
[www.sony.eu/support/](http://www.sony.eu/support/)

Távolítsa el a TV hátulján található csavarokat.

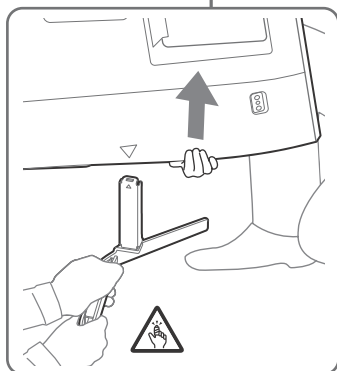
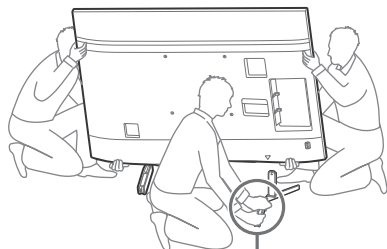




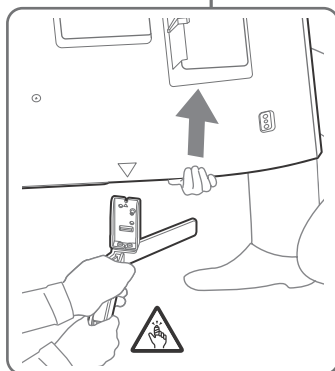
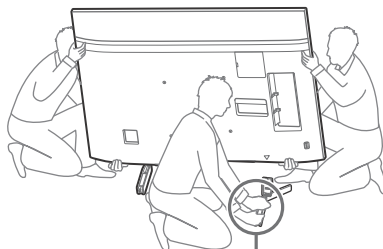
## Az asztali állvány leválasztása a televízióról

- 1 Egyszerre csak az asztali állvány egyik oldalát távolítsa el. Fogja meg erősen és tartsa meg biztonságosan az asztali állványt mindkét kezével, miközben a többiek felemelik a televíziót.

KD-85XG85xx



KD-75/65/55XG87xx, KD-75/65/55XG85xx



- 2 Ismétlje meg az előző lépést, és távolítsa el az asztali állvány másik oldalát.

### Megjegyzés

- Az asztali állvány leválasztásához három vagy több személy szükséges.
- Ügyeljen arra, hogy az asztali állvány televízióról történő leválasztásakor ne alkalmazzon túl nagy erőt, mert az a televízió leeséséhez vezethet, ami személyi sérülést vagy a televízió fizikai károsodását eredményezheti.
- Az asztali állvány kezelésekor legyen óvatos annak érdekében, hogy elkerülje a televízió sérülését.
- A televízió megemelésékor legyen óvatos, mivel az asztali állvány leválasztása után az asztali állvány felborulhat és személyi sérülést okozhat.
- Legyen óvatos, amikor az asztali állványt leválasztja a televízióról, nehogy az felboruljon és kárt tegyen abban a felületben, amin a televízió áll.

## Hibaelhárítás

Általános hibaelhárításhoz az alábbi lépéseket kövesse a következő típusú problémák esetében: fekete képernyő, nincs hang, kimerevedett kép, a TV nem reagál, nem található hálózat.

- 1 Indítsa újra a TV-t a távvezérlő bekapcsológombjának megnyomásával, amíg megjelenik egy üzenet. A TV újraindul. Ha a tv nem áll helyre, próbálja kihúzni a tápkábelt a hálózati aljzataból. Ezt követően nyomja meg a bekapcsológombot a tv-n, várjon két percig, majd helyezze be újra a tápkábelt a hálózati aljzatba.
- 2 Tekintse meg a Súgóútmutatót a távvezérlő **HELP** gombjának megnyomásával.
- 3 Csatlakoztassa a TV-t az internethez, és végezzen el egy szoftverfrissítést. A Sony javasolja, hogy a TV szoftverét tartsa mindig a legfrissebb állapotban. A szoftverfrissítések új funkciókat és teljesítménynövekedést kínálnak.
- 4 Keresse fel a Sony támogatási webhelyét (információ a jelen kézikönyv hátsó borításán látható).

**Ha bedugja a TV-t, előfordulhat, hogy a TV nem kapcsol be egyből, amikor megnyomja a bekapcsológombot a távvezérlőn vagy a TV-n.**

A rendszer inicializálása időt vesz igénybe. Várjon körülbelül egy percet, majd próbálja újra.

### Problémák és megoldások

**Ha a LED-megvilágítás pirosan villog.**

- Számolja meg, hányszor villan fel (az időköz három másodperc).  
Indítsa újra a tv-t. Ehhez húzza ki a tápkábelt a hálózati aljzataból, amíg a LED-megvilágítás piros villogása leáll, majd kapcsolja be a tv-t.  
Ha a probléma továbbra is fennáll, válassza le a TV-t a hálózatról, majd lépjen kapcsolatba a forgalmazóval vagy a Sony szervizközponttal, és tájékoztassa őket arról, hányszor villog a LED-megvilágítás.

**A földi/kábelszolgáltatás nem érhető el.**

- Ellenőrizze az antenna (légi)/kábel kapcsolatát és az erősítő beállításait.

- A távvezérlő **TV** gombjának megnyomásával válassza ki a földi/kábelszolgáltatást, majd válassza ki a [Digitális] lehetőséget, ha műsorszolgáltatás nem jelenik meg.
- Lehetséges, hogy egy közelről sugárzott erős jel elnyomja a földi jelet. A digitális hangolási beállítások között az [LNA (CS ---)] beállítást állítsa [Ki] állapotba.
- Ha elköltözik vagy új szolgáltatásokat kíván használni, próbáljon a [Digitális hangolás] segítségével szolgáltatást keresni.

**A műholdas szolgáltatás nem érhető el.**

- Ellenőrizze a műholdas kábelkapcsolatot.
- Ha megjelenik a [Nincs jel. LNB túlcsozdulás...] üzenet, válassza le a hálózati csatlakozóvezetékét. Ezután ellenőrizze, hogy a műholdas kábel nem sérült-e, és hogy nem lett-e zártatos a műholdas jelvezeték a műholdas csatlakozóban.

**A távvezérlő nem működik.**

- Cserélje ki az elemeket.

**Elfelejtette a szülői műsorzárhoz tartozó jelszót.**

- Írja be a 9999 PIN-kódot, és válassza a [PIN-kód módosítása] lehetőséget.

**A tv-készülék környezete felmelegszik.**

- Ha a tv-készüléket hosszú ideig használja, a környezete felmelegszik. Ezt érezheti, ha odanyúl a kezével.

## Műszaki adatok

### Rendszer

Megjelenítő típus  
LCD (folyadékkristályos kijelző), LED háttérvilágítás

TV-rendszer  
Országától/területválasztástól/tv-modelltől függően  
Analog: B/G, D/K, I  
Digitális: DVB-T/DVB-C  
DVB-T2\*1  
Műhold\*1: DVB-S/DVB-S2

Színrendszer  
PAL/SECAM/NTSC3.58 (Csak videó)/NTSC4.43 (Csak videó)

Fogható csatornák  
Országától/területválasztástól/tv-modelltől függően  
Analog: UHF/VHF/kábel  
Digitális: UHF/VHF/kábel  
Műhold\*1: 950-2150 MHz KF frekvencia

Hangkimenet  
10 W + 10 W

Vezeték nélküli technológia  
IEEE802.11ac/a/b/g/n protokoll  
(Az országtól/régiótól függően előfordulhat, hogy az IEEE802.11ac nem érhető el.)  
Bluetooth 4.2-es verzió

## Frekvenciasáv(ok)

Vezeték nélküli LAN (IEEE802.11ac/a/b/g/n)	
Frekvenciatartomány	Kimeneti teljesítmény
2 400-2 483,5 MHz	< 20,0 dBm
5 150-5 250 MHz	< 23,0 dBm
5 250-5 350 MHz	< 20,0 dBm
5 470-5 725 MHz	< 20,0 dBm
5 725-5 850 MHz	< 13,9 dBm

Bluetooth	
Frekvenciatartomány	Kimeneti teljesítmény
2 400-2 483,5 MHz	< 10,0 dBm

RFM-TX600E/TXS00E

Bluetooth	
Frekvenciatartomány	Kimeneti teljesítmény
2 400-2 483,5 MHz	< 10,0 dBm

## Szoftververzió

Ez a rádióberendezés az EU megfelelési nyilatkozatban meghatározott jóváhagyott szoftververzióval/ szoftververziókkal használható.

A szoftver verziójának kiderítéséhez nyomja meg a távvezérlő **HELP** gombját.

Távvezérlő:

Válassza ki a(z) [Távolsi vezérlés] → [Szoftververzió] lehetőséget a(z) [Beállítások] menüből. További információért tekintse meg a Súgóútmutatót.

Az ebbe a rádióberendezésbe betöltött szoftvert leellenőrizték, és teljesíti a 2014/53/EU Irányelv alapvető követelményeit.

## Bemeneti/kimeneti csatlakozók

### Antenna/kábel

75 Ohm külső antennacsatlakozó VHF/UHF-hez

### Műholdantenna<sup>1</sup>

F típusú anya csatlakozó, 75 Ohm.

DiSEqC 1.0, LNB 13 V/18 V és 22 kHz-es kapcsolójelel, Egykábeles terjesztés EN50494.

### COMPONENT IN

YPeP<sub>B</sub> (Komponens videó): 1080p (50, 60 Hz), 1080i (50, 60 Hz), 720p (50, 60 Hz), 576p, 576i, 480p, 480i

Hangbemenet (RCA aljzatok)

### AV IN

Videóbemenet (közös RCA érintkező Y bemenettel)

HDMI IN 1/2/3/4 (támogatják a 4K felbontást, HDCP 2.3 kompatibilis)

### Video:

4096 × 2160p (50, 60 Hz)<sup>2,3</sup>, 4096 × 2160p (24 Hz)<sup>2</sup>, 3840 × 2160p (50, 60 Hz)<sup>3</sup>, 3840 × 2160p (24, 25, 30 Hz), 1080p (30, 50, 60 Hz), 1080/24p, 1080i (50, 60 Hz), 720p (30, 50, 60 Hz), 720/24p, 576p, 480p, PC formátumok<sup>4</sup>

### Audio:

eARC (Enhanced Audio Return Channel) üzemmódban<sup>5</sup>

Részletes leírást a Súgóútmutatóban talál.

Kivéve eARC üzemmódban

5,1 csatornás lineáris PCM: 32/44,1/48/88,2/96/176,4/192 kHz 16/20/24 bit, Dolby Digital, Dolby Digital Plus, DTS

eARC/ARC (Enhanced Audio Return Channel/Audio Return Channel) (Csak HDMI IN 3)

eARC üzemmódban<sup>5</sup>

Részletes leírást a Súgóútmutatóban talál.

ARC üzemmódban

Kétszatornás lineáris PCM: 48 kHz 16 bit, Dolby Digital, Dolby Digital Plus, DTS

### DIGITAL AUDIO OUT (OPTICAL)

Digitális optikai csatlakozó (kétszatornás lineáris PCM: 48 kHz 16 bit, Dolby Digital, DTS)

## (sztereó mini csatlakozó)

Fejhallgató

1, 2, 3 (HDD REC)<sup>6</sup>

USB-eszköz csatlakozója (SS) 3 USB HDD-eszköz a FELVÉTEL funkcióhoz)

Az 1. és 2. USB-csatlakozó támogatja a High Speed USB (USB 2.0) szabványt

A 3. USB-csatlakozó támogatja a Super Speed USB (USB 3.1 Gen 1) szabványt



Feltétlenül hozzáférési modul (CAM) nyílása

LAN

10BASE-T/100BASE-TX csatlakozó (A hálózati környezetből függően a csatlakozási sebesség különbözhet. A kommunikáció sebessége és minősége nem garantált.)

## Egyebek

Külön megvásárolható tartozékok

Fali konzol: SU-WL450

Üzemi hőmérséklet

0 °C – 40 °C között

Működési páratartalom

10 % – 80 % RH relatív páratartalom között (kicsapódás nélkül)

## Tápellátás, adatlap és egyebek

### Tápellátás

220 V – 240 V AC, 50 Hz

Energiahatékonysági osztály

KD-85XG85xx: A

KD-75XG87xx / KD-75XG85xx: A+

KD-65XG87xx / KD-65XG85xx: A

KD-55XG87xx / KD-55XG85xx: A

Képernyőméret (átlósan mérve) (Kb.)

KD-85XG85xx: 214,8 cm / 85 hüvelyk

KD-75XG87xx / KD-75XG85xx: 189,3 cm / 75 hüvelyk

KD-65XG87xx / KD-65XG85xx: 163,9 cm / 65 hüvelyk

KD-55XG87xx / KD-55XG85xx: 138,8 cm / 55 hüvelyk

### Teljesítményfelvétel

[Normál] üzemmódban

KD-85XG85xx: 216 W

KD-75XG87xx / KD-75XG85xx: 158 W

KD-65XG87xx / KD-65XG85xx: 127 W

KD-55XG87xx / KD-55XG85xx: 111 W

[Élénk] üzemmódban

KD-85XG8596: 362 W

KD-75XG8796: 275 W

KD-75XG8599: 275 W

KD-75XG8596: 275 W

KD-75XG8588: 275 W

KD-75XG8505: 275 W

KD-65XG8796: 221 W

KD-65XG8599: 221 W

KD-65XG8596: 221 W

KD-65XG8588: 221 W

KD-65XG8577: 221 W

KD-65XG8505: 221 W

KD-55XG8796: 186 W

KD-55XG8599: 186 W

KD-55XG8596: 186 W

KD-55XG8588: 186 W

KD-55XG8577: 186 W

KD-55XG8505: 186 W

### Éves energiafogyasztás<sup>7</sup>

KD-85XG85xx: 300 kWh évente

KD-75XG87xx / KD-75XG85xx: 219 kWh évente

KD-65XG87xx / KD-65XG85xx: 176 kWh évente

KD-55XG87xx / KD-55XG85xx: 154 kWh évente

Energiafogyasztás készlelenti üzemmódban<sup>8,9</sup>

0,50 W (25 W szoftver-/EPG-frissítési üzemmódban)

Kijelző felbontása

3 840 képpont (vízszintes) × 2 160 sor (függőleges)

Kimeneti áramerősség

USB 1/2

5 V , max. 500 mA

USB 3

5 V , max. 900 mA

## Méretek (Kb.) (szé × ma × mé)

asztali állvánnyal

KD-85XG85xx: 190,9 × 117,5 × 43,3 cm  
KD-75XG87xx / KD-75XG85xx: 167,3 × 103,1 × 35,8 cm  
KD-65XG87xx / KD-65XG85xx: 145,0 × 89,9 × 31,6 cm  
KD-55XG87xx / KD-55XG85xx: 123,1 × 77,6 × 31,6 cm

asztali állvány nélkül

KD-85XG85xx: 190,9 × 109,7 × 8,0 cm  
KD-75XG87xx / KD-75XG85xx: 167,3 × 96,3 × 5,4 cm  
KD-65XG87xx / KD-65XG85xx: 145,0 × 83,6 × 5,2 cm  
KD-55XG87xx / KD-55XG85xx: 123,1 × 71,3 × 5,2 cm

## Tömeg (Kb.)

asztali állvánnyal

KD-85XG85xx: 49 kg  
KD-75XG87xx / KD-75XG85xx: 39,3 kg  
KD-65XG87xx / KD-65XG85xx: 26,3 kg  
KD-55XG87xx / KD-55XG85xx: 19,7 kg

asztali állvány nélkül

KD-85XG85xx: 46,5 kg  
KD-75XG87xx / KD-75XG85xx: 37,8 kg  
KD-65XG87xx / KD-65XG85xx: 25,3 kg  
KD-55XG87xx / KD-55XG85xx: 18,7 kg

- \*1 Nem minden tv rendelkezik DVB-T2 vagy DVB-S/S2 technológiával vagy műholdantenna-terminállal.
- \*2 Ha a bemenet felbontása 4096 × 2160p, és a [Szélesvásznú mód] beállítás értéke [Normál], a megjelenített kép felbontása 3840 × 2160p. 4096 × 2160p felbontás megjelenítéséhez állítsa a [Szélesvásznú mód] beállítást [Teljes 1] vagy [Teljes 2] értékre.
- \*3 A 18 Gb/s támogatásához válassza ki a [HDMI-jelformátum] lehetőséget a [Javitott formátum] beállításnál.
- \*4 Részletes leírást a Súgóútmutatóban talál.
- \*5 Az eARC üzemmód akkor aktív, ha az [eARC mód] beállítása [Automatikus], a [Hangszóró] beállítása [Audiorendszer] és az eARC használatára képes hangrendszer van csatlakoztatva.
- \*6 Csak egyes régiókban/országokban/tv-modellekben.
- \*7 Energiafogyasztás kWh/év értékben kifejezve, amely adat olyan televíziókészülék teljesítményfelvételén alapul, amelyet 365 napon keresztül napjában 4 órát üzemeltetnek. A tényleges energiafogyasztás a televízió használati módjától függ.
- \*8 A megadott készleleti energiafogyasztást akkor éri el a tv-készülék, miután befejezte a szükséges belső folyamatokat.
- \*9 Ha a tv-készülék csatlakoztatva van a hálózathoz, az energiafogyasztás készleleti üzemmódban megnő.

## Megjegyzés

- Ne távolítsa el a vakkátyát vagy a tv CAM (feltételes hozzáférési modul) nyílásának borítását (az elérhetőség a tv-modelltől függ), kivéve, ha a feltételes hozzáférési modulba intelligens kártyát helyez be.
- A külön megvásárolható tartozékok elérhetősége az országtól/ régiótól/tv-típus/árúkesztlettől függ.
- A forma és a műszaki adatok előzetes bejelentés nélkül megváltozhatnak.

## Megjegyzések a digitális tv-funkcióról

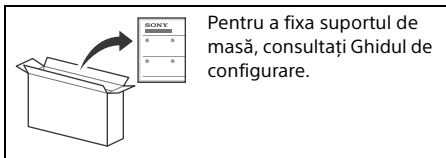
- Előfordulhat, hogy a digitális TV (digitális földfelszíni videoadás, műholdas- és kábeltelevízió), az interaktív szolgáltatások és a hálózati funkciók nem érhetők el minden országban vagy területen. Lehetséges, hogy egyes funkciók nincsenek engedélyezve vagy nem működnek megfelelően bizonyos szolgáltatók és hálózati környezetek használata esetén. Egyes TV-szolgáltatók díjat számolhatnak fel a szolgáltatásaiért.
- Ez a TV támogatja az MPEG-2, H.264/ MPEG-4 AVC és H.265/ HEVC kodekeket használó digitális műsorszolgáltatást, de nem garantálható, hogy az idővel esetlegesen változó összes szolgáltatóval/szolgáltatással kompatibilis lesz.

## Védjegyekkel kapcsolatos információk

- A HDMI és a HDMI High-Definition Multimedia Interface kifejezések, valamint a HDMI embléma a HDMI Licensing Administrator, Inc. védjegyei vagy bejegyzett védjegyei az Amerikai Egyesült Államokban és más országokban.
- A Dolby, Dolby Vision, Dolby Audio és a dupla D szimbólum a Dolby Laboratories védjegyei. A gyártás a Dolby Laboratories licenccengedélyével történt. Bizalmas kiadatlan anyagok. Dolby Laboratories © 1992–2015 szerzői joga. Minden jog fenntartva.

- A „BRAVIA”, a BRAVIA és a BRAVIA Sync a Sony Corporation tulajdonát képező védjegy vagy bejegyzett védjegy.
- A Gracenote, a Gracenote embléma és szöveges logó és a „Powered by Gracenote” embléma a Gracenote, Inc. vállalat védjegye vagy bejegyzett védjegye az Egyesült Államokban és/ vagy más országokban.
- Vewd® Core. Copyright 1995–2019 Vewd Software AS. All Rights Reserved.
- A Google, a Google Play, a Chromecast, a YouTube, az Android TV és az egyéb kapcsolódó jelzések és emblémák a Google LLC védjegyei.
- A Wi-Fi®, Wi-Fi Alliance® és Wi-Fi Direct® a Wi-Fi Alliance bejegyzett védjegye.
- A Wi-Fi CERTIFIED™ embléma a Wi-Fi Alliance hitelesítési jele.
- DTS-szabadalmakról lásd a <http://patents.dts.com> webhelyet. Készült a DTS, Inc. licence alapján. A DTS, a szimbólum, illetve a DTS és a szimbólum együttesen bejegyzett védjegyek, a DTS Digital Surround a DTS, Inc. védjegye. © DTS, Inc. Minden jog fenntartva.
- A Bluetooth® jelzés és emblémák a Bluetooth SIG, Inc. bejegyzett védjegyei, a Sony Corporation ezeket licenccmegállapodás keretében használja. A többi védjegy és kereskedelmi megnevezés a megfelelő tulajdonosok tulajdona.
- A Netflix a Netflix, Inc. bejegyzett védjegye.
- A DiSEqC™ az EUTELSAT védjegye. Ez a tv-készülék támogatja a DiSEqC 1.0 szabványt. Ez a tv-készülék nem motoros antennák vezérlésére lett tervezve.
- A TUXERA a Tuxera Inc. cég Egyesült Államokban és más országokban bejegyzett védjegye.
- Az USB-IF SuperSpeed USB Trident embléma az USB Implementers Forum, Inc. bejegyzett védjegye. SS+.
- Minden egyéb védjegy a megfelelő tulajdonosok tulajdonát képezi.





Pentru a fixa suportul de masă, consultați Ghidul de configurare.

## Cuprins

INFORMAȚIE IMPORTANTĂ .....	2
Informații privind siguranța .....	3
Telecomanda și televizorul .....	5
Schema de conexiuni. ....	6
Montarea televizorului pe perete .....	8
Utilizarea „Dispozitiv de montare pe perete” .....	8
Demontarea suportului de masă de la televizor .....	9
Depanare .....	10
Probleme și soluții .....	10
Specificații. ....	10

### Conexiunea la internet și politica de confidențialitate a datelor personale

Acest produs se conectează la internet în timpul configurării inițiale odată cu conectarea la o rețea, pentru confirmarea conexiunii la internet, și ulterior pentru configurarea ecranului principal. Adresa dumneavoastră IP este utilizată pentru aceste configurări și pentru toate celelalte conexiuni la internet. Dacă nu doriți ca adresa dumneavoastră IP să fie utilizată, nu configurați funcția de internet wireless și nu conectați cablul de internet. Citiți informațiile privind confidențialitatea afișate în ecranele de configurare pentru detalii suplimentare despre conexiunile la internet.

## Introducere

Vă mulțumim că ați ales acest produs Sony. Înainte de a utiliza televizorul, vă rugăm să citiți cu atenție acest manual, după care să îl păstrați pentru a-l putea consulta ulterior.

### Notă

- Înainte de a utiliza televizorul, vă rugăm să citiți „Informații privind siguranța” (pagina 3).
- Pentru detalii suplimentare, citiți informațiile anexate privind siguranța.
- Imaginile și ilustrațiile utilizate în Ghidul de configurare și în acest manual au scop doar de referință și pot diferi față de produsul real.
- Simbolul „xx” care apare în numele modelului corespunde unei cifre numerice, aferente designului, culorii sau sistemului TV.

### Ajutor

Căutați mai multe instrucțiuni pentru depanare și alte informații utile direct din televizor. Apăsăți **HELP** de pe telecomandă pentru a afișa lista subiectelor sau pentru a căuta după cuvinte-cheie.

### Ghid de asistență (manual)

Pentru informații mai detaliate, selectați [Ghid de asistență] din meniul Ajutor al televizorului. Puteți accesa Ghidul de asistență și din computer sau smartphone (informații pe coperta spate a acestui manual).

## Unde se află eticheta de identificare

Etichetele cu numărul modelului, data fabricației (an/lună) și tensiunea de alimentare se află în partea posterioară a televizorului sau pe ambalaj.

## INFORMAȚIE IMPORTANTĂ

### Observație cu privire la echipamentul radio



Prin prezenta, Sony Visual Products Inc.

declară că tipurile de echipament radio

KD-85XG8596, KD-75XG8796, KD-75XG8599, KD-75XG8588, KD-75XG8505, KD-65XG8796, KD-65XG8599, KD-65XG8596, KD-65XG8588, KD-65XG8577, KD-65XG8505, KD-55XG8796, KD-55XG8599, KD-55XG8596, KD-55XG8588, KD-55XG8577, KD-55XG8505 sunt în conformitate cu Directiva 2014/53/UE. Textul integral al declarației UE de conformitate este disponibil la următoarea adresă internet: <http://www.compliance.sony.de/>

Notificare către clienți: informațiile de mai jos sunt valabile numai pentru echipamentele comercializate în țările unde se aplică directivele UE.

Pentru acest echipament radio, următoarele restricții privind punerea în funcțiune sau cerințele de autorizare a utilizării sunt valabile în AT, BE, HR, CY, CZ, DK, EE, FI, FR, DE, EL, HU, IE, IT, LV, LT, LU, MT, NL, PL, PT, SK, SI, ES, SE, UK, IS, LI, NO, CH, BG, RO, TR, AL, BA, MK, MD, RS, ME, Kosovo :

Banda de 5.150 - 5.350 MHz este restricționată la utilizarea în spații închise.

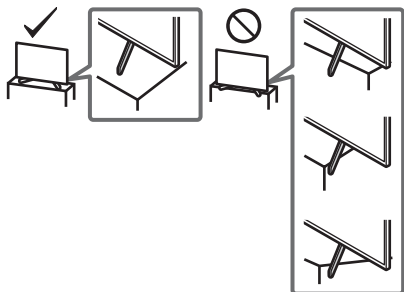
## Informații privind siguranța

### Instalare/Configurare

Instalați și utilizați televizorul conform instrucțiunilor prezentate în continuare, pentru a evita riscurile de incendii, șocurile electrice sau deteriorări/răniri.

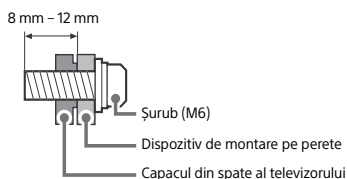
#### Instalarea

- Televizorul trebuie instalat în apropierea unei prize ușor accesibile.
- Așezați televizorul pe o suprafață dreaptă și stabilă, pentru a evita căderea acestuia și vătămarea corporală sau pagubele materiale.
- Instalați televizorul într-un loc de unde nu poate fi tras, împins sau răsturnat.
- Instalați televizorul astfel încât suportul de masă al acestuia să nu iasă în afara suportului de televizor (neinclus). Dacă suportul de masă iese în afara suportului de televizor, este posibil ca televizorul să se răstoarne, să cadă și să provoace vătămări corporale sau să se deterioreze.

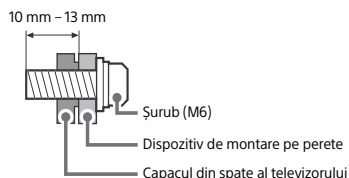


- Instalarea televizorului pe perete trebuie executată numai de către persoane calificate.
- Din motive de siguranță, se recomandă cu insistență utilizarea accesoriilor Sony, inclusiv:
  - Dispozitiv de montare pe perete SU-WL450
- Asigurați-vă că folosiți șuruburile furnizate cu Dispozitivul de montare pe perete atunci când montați Dispozitivul de montare pe perete la aparatul TV. Șuruburile furnizate sunt indicate conform ilustrației atunci când măsurarea se face de la suprafața de montare a Dispozitivului de montare pe perete. Diametrul și lungimea șuruburilor diferă în funcție de modelul Dispozitivului de montare pe perete. Utilizarea altor șuruburi decât a celor furnizate poate avea ca rezultat deteriorarea internă a televizorului sau căderea acestuia, etc.

#### KD-85XG85xx



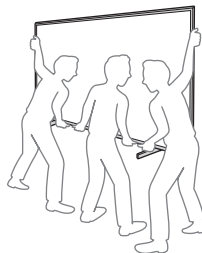
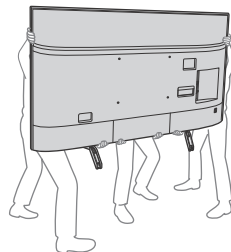
#### KD-75/65/55XG87xx, KD-75/65/55XG85xx



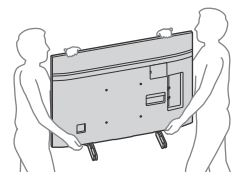
### Transportul

- Înainte de a deplasa televizorul, decupați toate cablurile.
- La transportul unui televizor de mari dimensiuni, este recomandată participarea a două sau trei persoane (trei sau mai multe persoane pentru KD-85XG85xx).
- Când transportați manual aparatul TV, susțineți-l așa cum este prezentat mai jos. Nu forțați panoul LCD sau cadrul din jurul ecranului.
- Atunci când ridicați sau mutați televizorul, țineți-l bine de partea de jos.

#### KD-85XG85xx



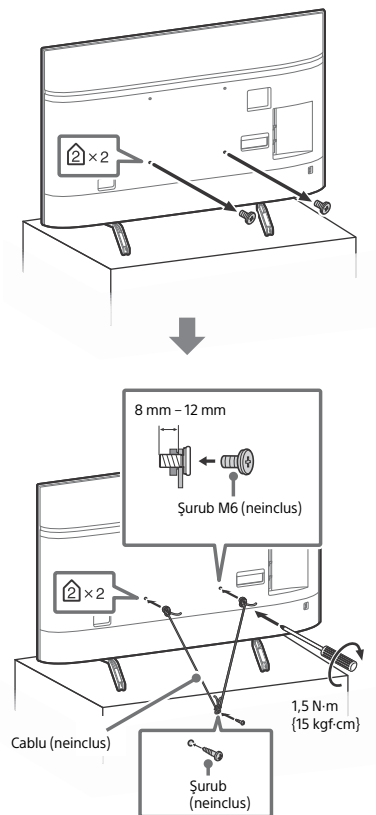
#### KD-75/65/55XG87xx, KD-75/65/55XG85xx



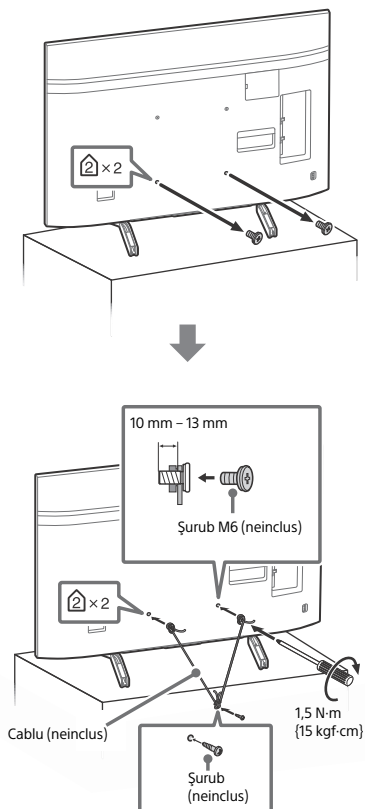
- Feriți televizorul de șocuri mecanice și de vibrații prea puternice în timpul transportului.
- Când duceți aparatul la reparat sau când vă mutați, folosiți ambalajul original.

## Asigurarea stabilității

KD-85XG85xx



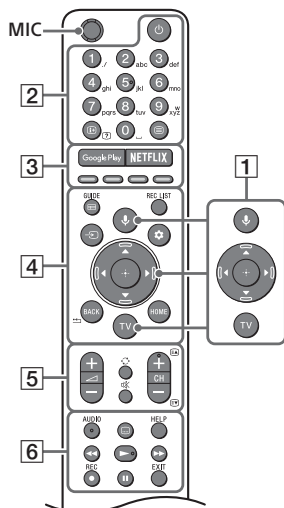
KD-75/65/55XG87xx, KD-75/65/55XG85xx





# Telecomanda și televizorul

Forma, amplasarea, disponibilitatea și funcționarea butoanelor telecomenzii pot varia în funcție de regiune/țară/modelul televizorului.



**1** **🔊 (Microfon):** Utilizați funcția căutare vocală. (de ex., căutarea diferitelor elemente de conținut după voce.)\*1

**▲/▼/◀/▶/⊕ (Buton direcțional tip D-Pad):** Parcurgerea și selectarea opțiunilor de meniu afișate pe ecran.

**TV:** Trecerea la un canal de televiziune sau intrare și afișarea meniu TV.

**2** **⏻ (TV standby)**

**Butoane numerice**

**ℹ️/? (Afișare informații/text):** Afișează informații.

**📄 (Text):** Afișează informații de tip text.

**3** **Google Play**  
**NETFLIX (Numai pentru anumite țări/regiuni/modele de televizor)**

**Butoane colorate**

**4** **GUIDE/📺:** Afișarea ghidului digital de programe sau a ghidului electronic de programe (EPG) transmis prin cablu/satelit\*2.

**REC LIST:** Afișarea listei de înregistrări pentru hard diskul USB sau DVR\*2.

**➡️ (Selectarea intrării):** Afișarea și selectarea sursei de intrare etc.

**⚙️ (Setări rapide):** Afișarea setărilor rapide.

**BACK/⬅️**

**HOME**

**5** **↔️ +/- (Volum)**

**🔄 (Salt)**

**⌘ (Anulare sunet)**

**Sfat**

• Funcția de accesibilitate prin comenzi rapide poate fi activată sau dezactivată prin ținerea apăsată a ⌘.

**CH +/-/⏪/⏩**

În modul TV: Selecta canalul.

În modul Text: Selectează pagina următoare (⏩) sau cea precedentă (⏪).

**6** **AUDIO:** Selectați sunetul sursei multilingve sau sunetul dublu (în funcție de sursa programului).

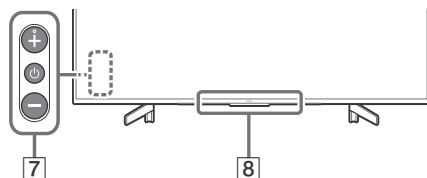
**⋮ (Setări subtitrare)**

**HELP:** Afișează meniul de asistență.

**⏮️/⏭️/⏮️/⏭️**

● **REC:** Înregistrați programul vizionat în momentul respectiv pe hard diskul USB sau DVR\*2.

**EXIT**



**7** **⏻ (Alimentare)**

**8** **Senzor telecomandă / Senzor de lumină / LED de iluminare**

\*1 Căutarea vocală necesită o conexiune la Internet.

\*2 Este necesară setarea [Configurare cablu/satelit] (numai pentru anumite regiuni/țări/modele de televizor). Pentru mai multe informații, consultați Ghidul de asistență.



### 1 CAM (modul de acces condiționat)

- Asigură accesul la serviciile de televiziune cu plată. Pentru detalii, consultați manualul de instrucțiuni furnizat cu modulul dumneavoastră CAM.
- Nu introduceți cartela inteligentă direct în fanta CAM a televizorului. Aceasta trebuie montată în modulul de acces condiționat furnizat de către distribuitorul dumneavoastră autorizat.
- CAM nu este acceptat în unele țări/zone. Consultați-vă cu distribuitorul dumneavoastră autorizat.
- Este posibilă apariția unui mesaj CAM la comutarea la un program digital după utilizarea videoclipurilor de pe internet.

### 2 USB 1/2, USB 3 (HDD REC)\*<sup>3</sup>

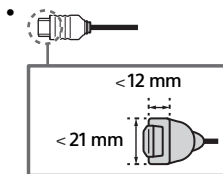
- Conectarea unui dispozitiv USB de mari dimensiuni poate afecta alte dispozitive conectate în afară de acesta.
- La conectarea unui dispozitiv USB de mari dimensiuni, conectați-l la mufa USB 1.
- Conectați un hard disk USB la portul USB 3 (albastru).

### 3 (Căști)

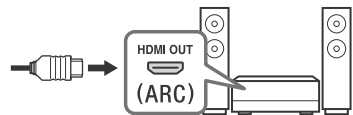
- Acceptă numai minimufă stereo cu 3 pini.
- Nu puteți emite semnal audio de la căști și de la difuzoarele TV-ului în același timp.

### 4 HDMI IN 1/2/3/4

- Interfața HDMI poate transfera informațiile video și audio în format digital printr-un singur cablu.



- Pentru a vă bucura de conținut de calitate înaltă 4K 50p/60p, conectați un cablu HDMI Premium High Speed și setați [Formatul semnalului HDMI] la [Format îmbunătățit].  
Faceți această setare individual pentru fiecare terminal HDMI IN conectat. Pentru detalii privind formatele compatibile, consultați capitolul „Specificații” din prezentul manual (pagina 10-12).
- **HDMI IN 3 eARC/ARC (Enhanced Audio Return Channel/Audio Return Channel)**  
Conectați sistemul audio la HDMI IN 3 pentru a transmite semnalele audio ale televizorului la sistemul audio. Sistemele audio care acceptă HDMI eARC/ARC pot trimite semnale video la televizor și pot primi semnale audio de la televizor prin intermediul aceluiași cablu HDMI. Dacă sistemul dumneavoastră audio nu acceptă HDMI eARC/ARC, este necesară o conexiune suplimentară cu DIGITAL AUDIO OUT (OPTICAL).
- Utilizați cablul HDMI cu Ethernet pentru a conecta sistemul audio cu eARC.



### 5 (Intrare RF), (Intrare satelit)

- Conexiuni pentru antenă/cablu și satelit.  
Ordinea de conectare: SUB. → MAIN → Antenă
- Conectați cablul la mufa SUB. numai atunci când utilizați modul cu tuner dublu, cu excepția Distribuției printr-un singur cablu EN50494.

\*1 Pentru a conecta un echipament mono folosiți mufa audio L (MONO).

\*2 Pentru dispozitive externe cu mufă SCART AV OUT, utilizați un adaptor SCART-RCA.

\*3 Numai pentru anumite țări/regiuni/modele de televizor.

# Montarea televizorului pe perete

## Utilizarea „Dispozitiv de montare pe perete”

În prezentul manual de instrucțiuni al televizorului sunt descriși numai pașii necesari pregătirii televizorului pentru instalarea pe suportul de fixare pe perete înainte de a-l monta efectiv pe perete.

### Pentru clienți:

Pentru protecția produsului și din motive de siguranță, Sony recomandă insistent ca instalarea televizorului să fie efectuată numai de către dealeri Sony sau contractori licențiați. Nu încercați să îl instalați dumneavoastră înșivă pe perete.

### Pentru distribuitorii Sony și contractanți:

Acordați atenție maximă aspectelor de siguranță în timpul instalării, întreținerii periodice și examinării produsului.

Este necesară o experiență suficientă pentru instalarea acestui produs, mai ales pentru a determina rezistența peretelui pentru a susține greutatea televizorului. Încredințați montajul acestui produs pe perete distribuitorilor Sony sau contractorilor licențiați și acordați o atenție adecvată aspectelor de siguranță în timpul instalării. Sony nu este responsabilă pentru daune materiale sau vătămări corporale cauzate de manipularea eronată sau instalarea necorespunzătoare.

Utilizați „Dispozitiv de montare pe perete” SU-WL450 (neinclus) pentru instalarea televizorului pe perete.

La instalarea „Dispozitiv de montare pe perete”, consultați și instrucțiunile de utilizare și ghidul de instalare furnizat cu „Dispozitiv de montare pe perete”.

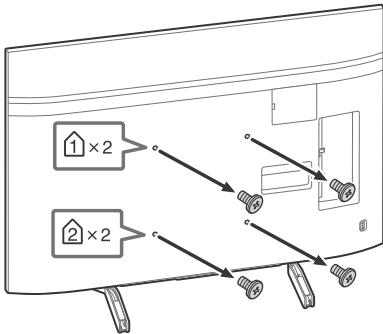
### Notă

- Depozitați șuruburile demontate într-o locație sigură, fără a le lăsa la îndemâna copiilor.



Pentru instrucțiuni privind instalarea Dispozitivului de montare pe perete, consultați informațiile de instalare (Dispozitiv de montare pe perete) de pe pagina produsului pentru modelul televizorului dumneavoastră. [www.sony.eu/support/](http://www.sony.eu/support/)

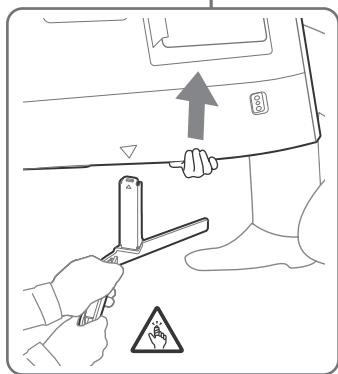
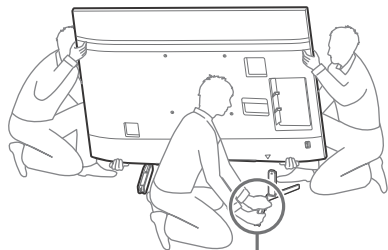
Scoateți șuruburile de pe partea din spate a televizorului.



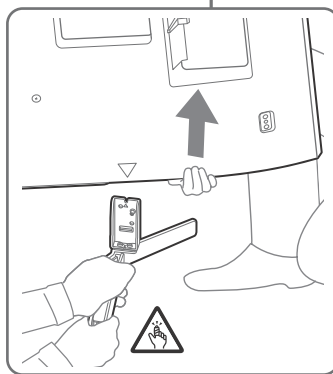
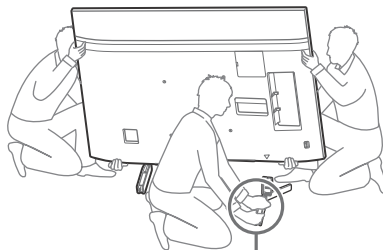
## Demontarea suportului de masă de la televizor

- 1 Scoateți pe rând câte o parte laterală a suportului de masă. Țineți bine suportul de masă cu ambele mâini în timp ce persoana sau persoanele care vă ajută ridică televizorul.

KD-85XG85xx



KD-75/65/55XG87xx, KD-75/65/55XG85xx



- 2 Repetați pasul anterior și scoateți cealaltă parte laterală a suportului de masă.

### Notă

- Trei sau mai multe persoane sunt necesare pentru a detașa suportul de masă.
- Aveți grijă să nu utilizați forță excesivă în timp ce detașați suportul de masă din televizor, deoarece poate cauza căderea televizorului, rezultând în vătămări corporale sau deteriorarea televizorului.
- Aveți grijă atunci când manipulați suportul de masă pentru a preveni deteriorarea televizorului.
- Ridicați cu grijă televizorul, pentru că suportul de masă este desprins și se poate răsturna, provocând vătămări corporale.
- Demontați cu grijă suportul de masă de la televizor, pentru a evita căderea acestuia și deteriorarea suprafeței pe care este așezat televizorul.

## Depanare

Pentru remedierea problemelor precum: ecran negru, lipsa sunetului, imagine statică, televizorul nu răspunde la comenzi sau pierderea conexiunii la rețea, efectuați pașii de mai jos.

- 1 Reporniți televizorul prin apăsarea butonului de pornire/oprire de pe telecomandă până când se afișează un mesaj. Televizorul repornește. Dacă problema televizorului nu se remediază, încercați să scoateți cablul de alimentare din priză. După aceea, apăsați butonul de pornire/oprire de pe televizor, așteptați timp de două minute și reintroduceți cablul în priză.
- 2 Consultați meniul de asistență prin apăsarea butonului **HELP** de pe telecomandă.
- 3 Conectați televizorul la internet și actualizați software-ul. Sony vă recomandă să păstrați software-ul TV-ului actualizat. Actualizările software oferă caracteristici noi și îmbunătățiri de performanță.
- 4 Vizitați site-ul de asistență Sony (informațiile necesare se află pe coperta față a acestui manual).

**După ce introduceți cablul de alimentare în priză, este posibil ca televizorul să nu pornească pentru un timp, chiar dacă apăsați butonul de pornire/oprire de pe telecomandă sau de pe televizor.**

Inițializarea sistemului durează un anumit timp. Așteptați aproximativ un minut, apoi încercați din nou.

## Probleme și soluții

**Atunci când ledul de iluminare se aprinde intermitent în culoarea roșie.**

- Numărați de câte ori se aprinde intermitent (intervalul de timp este de trei secunde). Reporniți televizorul prin deconectarea cablului de alimentare până când ledul de iluminare nu se mai aprinde intermitent în culoarea roșie, apoi porniți televizorul. Dacă problema nu se remediază, scoateți cablul de alimentare din priză și luați legătura cu distribuitorul sau centrul de service Sony și specificați de câte ori s-a aprins intermitent ledul de iluminare.

**Televizorul nu recepționează semnale de la antenă/cablu.**

- Verificați conectarea antenei (externă)/cablului și setările de amplificare.
- Selectați transmisia prin antenă/cablu prin apăsarea butonului **TV** de pe telecomandă, apoi selectați [Digital] dacă serviciul de transmisie nu este afișat.
- Semnalul antenei poate fi bruiat dacă există un semnal puternic în apropiere. Setați [LNA (Can ---)] la [Oprit] în setările pentru acord fin digital.
- Dacă v-ați mutat sau încercați să recepționați posturi noi, încercați să căutați posturile prin selectarea opțiunii [Acord semnal digital].

**Televizorul nu recepționează semnale de la antena de satelit.**

- Verificați dacă este corect conectat cablul antenei de satelit.
- Atunci când se afișează mesajul [Lipsă semnal. Detectat supraîncărcare LNB...], scoateți cablul de alimentare din priză. După aceea, asigurați-vă că este în bună stare cablul antenei de satelit și că nu este scurtcircuitat conectorul cablului de semnal.

**Telecomanda nu funcționează.**

- Înlocuiți bateriile.

**Ați uitat codul pentru blocarea accesului copiilor.**

- Introduceți 9999 pentru codul PIN și selectați [Schimbați Codul PIN].

**Zonele din jurul televizorului se încălzesc.**

- Când televizorul este utilizat pentru o perioadă îndelungată, zonele din jurul televizorului se încălzesc. Este posibil ca zonele respective să fie fierbinți la pipăit.

## Specificații

### Sistem

Tip de panou

Panou LCD (Liquid Crystal Display - Afișaj cu cristale lichide),  
Retroluminare cu leduri

Sistem TV

în funcție de țara/regiunea aleasă/modelul televizorului

Analogic: B/G, D/K, I  
Digital: DVB-T/DVB-C

DVB-T2<sup>1</sup>

Satelit<sup>1</sup>: DVB-S/DVB-S2

Sistem culoare

PAL/SECAM/NTSC3.58 (Numai video)/NTSC4.43 (Numai video)

Acoperire canale

în funcție de țara/regiunea aleasă/modelul televizorului

Analogic: UHF/VHF/Cablu

Digital: UHF/VHF/Cablu

Satelit<sup>1</sup>: Frecvență IF 950-2.150 MHz

Leșire audio

10 W + 10 W

## Technologie wireless

Protocol IEEE802.11ac/a/b/g/n

(Este posibil ca, în funcție de țări/regiuni, protocolul IEEE802.11ac să nu fie disponibil.)

Bluetooth versiunea 4.2

## Bandă (benzi) de frecvență

LAN wireless (IEEE802.11ac/a/b/g/n)	
Gama de frecvență	Putere de ieșire
2.400-2.483,5 MHz	< 20,0 dBm
5.150-5.250 MHz	< 23,0 dBm
5.250-5.350 MHz	< 20,0 dBm
5.470-5.725 MHz	< 20,0 dBm
5.725-5.850 MHz	< 13,9 dBm

Bluetooth	
Gama de frecvență	Putere de ieșire
2.400-2.483,5 MHz	< 10,0 dBm

RMF-TX600E/TX500E

Bluetooth	
Gama de frecvență	Putere de ieșire
2.400-2.483,5 MHz	< 10,0 dBm

## Versiune software

Acest echipament radio este destinat utilizării cu versiunea/ versiunile software aprobate(e) și specificată în Declarația de conformitate UE.

Apăsați butonul **HELP** de pe telecomandă pentru a afla versiunea software-ului.

Telecomandă: \_\_\_\_\_

Selecția [Telecomandă] → [Versiune software] din [Setări].

Pentru mai multe informații, consultați Ghidul de asistență. Conform verificărilor efectuate, software-ul instalat în acest echipament radio respectă cerințele esențiale ale directivei 2014/53/UE.

## Mufe intrare/ieșire

Antenă (exterioară)/cablu

Bornă externă 75 ohm pentru VHF/UHF

Antenă de satelit\*1

Conector mamă de tip F, 75 ohm.

DiSEqC 1.0, LNB 13 V/18 V & ton 22 kHz, Distribuție printr-un singur cablu EN50494.

COMPONENT IN

YPaPa (video pe componente): 1080p (50, 60 Hz), 1080i (50, 60 Hz), 720p (50, 60 Hz), 576p, 576i, 480p, 480i

Intrare audio (mufe fono)

AV IN

Intrare video (pin fono comun cu intrarea Y)

HDMI IN 1/2/3/4 (suport pentru rezoluție 4K, Compatibil cu HDCP 2.3)

Video:

4096 × 2160p (50, 60 Hz)\*2x3, 4096 × 2160p (24 Hz)\*2, 3840 × 2160p (50, 60 Hz)\*3, 3840 × 2160p (24, 25, 30 Hz), 1080p (30, 50, 60 Hz), 1080/24p, 1080i (50, 60 Hz), 720p (30, 50, 60 Hz), 720/24p, 576p, 480p, Formate PC\*4

Audio:

În modul eARC (Enhanced Audio Return Channel)\*5

Pentru detalii, consultați ghidul de asistență.

Cu excepția modului eARC

PCM liniar pe 5,1 canale: 32/44,1/48/88,2/96/176,4/192 kHz 16/20/24 biți, Dolby Digital, Dolby Digital Plus, DTS

eARC/ARC (Enhanced Audio Return Channel/Audio Return Channel) (Numai HDMI IN 3)

În modul eARC\*5

Pentru detalii, consultați ghidul de asistență.

În modul ARC

PCM liniar pe două canale: 48 kHz 16 biți, Dolby Digital, Dolby Digital Plus, DTS

DIGITAL AUDIO OUT (OPTICAL)

Mufă optică digitală (PCM liniar pe două canale: 48 kHz 16 biți, Dolby Digital, DTS)

(Mini mufă stereo)

Căști

1, 2, 3 (HDD REC)\*6

Port dispozitiv USB (3 dispozitive HDD USB pentru caracteristica REC)

Porturile USB 1 și 2 sunt compatibile cu High Speed USB (USB de mare viteză) (USB 2.0)

Portul USB 3 este compatibil cu Super Speed USB (USB de foarte mare viteză) (USB 3.1 Gen 1)

Slot CAM

(modul de acces condiționat)

LAN

Conector 10BASE-T/100BASE-TX (În funcție de mediul de funcționare a rețelei, viteza conexiunii poate varia. Viteza de comunicare și calitatea nu sunt garantate.)

## Altele

Accesorii opționale

Dispozitiv de montare pe perete: SU-WL450

Temperatură de utilizare

0 °C – 40 °C

Umiditate de funcționare

UR 10 % - 80 % (fără condens)

## Alimentare, date tehnice ale produsului și alte

Cerințe de alimentare

220 V – 240 V c.a., 50 Hz

Clasă de eficiență energetică

KD-85XG85xx: A

KD-75XG87xx / KD-75XG85xx: A+

KD-65XG87xx / KD-65XG85xx: A

KD-55XG87xx / KD-55XG85xx: A

Dimensiunea ecranului (măsurată pe diagonală) (aprox.)

KD-85XG85xx: 214,8 cm / 85 1/2"

KD-75XG87xx / KD-75XG85xx: 189,3 cm / 75 1/2"

KD-65XG87xx / KD-65XG85xx: 163,9 cm / 65 1/2"

KD-55XG87xx / KD-55XG85xx: 138,8 cm / 55 1/2"

Consum de putere

În modul [Standard]

KD-85XG85xx: 216 W

KD-75XG87xx / KD-75XG85xx: 158 W

KD-65XG87xx / KD-65XG85xx: 127 W

KD-55XG87xx / KD-55XG85xx: 111 W

În modul [Strălucitor]

KD-85XG8596: 362 W

KD-75XG8796: 275 W

KD-75XG8599: 275 W

KD-75XG8596: 275 W

KD-75XG8588: 275 W

KD-75XG8505: 275 W

KD-65XG8796: 221 W

KD-65XG8599: 221 W

KD-65XG8596: 221 W

KD-65XG8588: 221 W

KD-65XG8577: 221 W

KD-65XG8505: 221 W

KD-75XG8796: 186 W

KD-55XG8599: 186 W

KD-55XG8596: 186 W

KD-55XG8588: 186 W

KD-55XG8577: 186 W

KD-55XG8505: 186 W

Consumul de energie anual\*7

KD-85XG85xx: 300 kWh pe an

KD-75XG87xx / KD-75XG85xx: 219 kWh pe an

KD-65XG87xx / KD-65XG85xx: 176 kWh pe an

KD-55XG87xx / KD-55XG85xx: 154 kWh pe an

Consum de energie în modul standby\*8,9

0,50 W (25 W în modul software/actualizare program)

## Rezoluție ecran

3.840 puncte (pe orizontală) × 2.160 linii (pe verticală)

## Mărimi de ieșire nominale

USB 1/2

5 V ---, 500 mA max.

USB 3

5 V ---, 900 mA max.

## Dimensiuni (aprox.) (l x h x L)

### cu suport de masă

KD-85XG85xx: 190,9 × 117,5 × 43,3 cm

KD-75XG87xx / KD-75XG85xx: 167,3 × 103,1 × 35,8 cm

KD-65XG87xx / KD-65XG85xx: 145,0 × 89,9 × 31,6 cm

KD-55XG87xx / KD-55XG85xx: 123,1 × 77,6 × 31,6 cm

### fără suport de masă

KD-85XG85xx: 190,9 × 109,7 × 8,0 cm

KD-75XG87xx / KD-75XG85xx: 167,3 × 96,3 × 5,4 cm

KD-65XG87xx / KD-65XG85xx: 145,0 × 83,6 × 5,2 cm

KD-55XG87xx / KD-55XG85xx: 123,1 × 71,3 × 5,2 cm

## Masă (aprox.)

### cu suport de masă

KD-85XG85xx: 49 kg

KD-75XG87xx / KD-75XG85xx: 39,3 kg

KD-65XG87xx / KD-65XG85xx: 26,3 kg

KD-55XG87xx / KD-55XG85xx: 19,7 kg

### fără suport de masă

KD-85XG85xx: 46,5 kg

KD-75XG87xx / KD-75XG85xx: 37,8 kg

KD-65XG87xx / KD-65XG85xx: 25,3 kg

KD-55XG87xx / KD-55XG85xx: 18,7 kg

- \*1 Nu toate modelele de televizoare dispun de tehnologia DVB-T2 sau DVB-S/2 sau de mufă pentru antena de satelit.
- \*2 Atunci când se utilizează 4096 × 2160p și [Mod panoramic] este setat la [Normal], rezoluția este afișată ca 3840 × 2160p. Pentru a afișa 4096 × 2160p, setați opțiunea [Mod panoramic] la [Complet 1] sau la [Complet 2].
- \*3 Pentru a accepta 18 Gbps, setați [Formatul semnalului HDMI] la [Format îmbunătățit].
- \*4 Pentru detalii, consultați ghidul de asistență.
- \*5 Modul eARC este activ atunci când [Mod eARC] este setat la [Auto], [Redare sunet] este setat la [System Audio] și sistemul audio compatibil cu eARC este conectat.
- \*6 Numai pentru anumite țări/regiuni/modele de televizor.
- \*7 Consum de energie pe an în kWh, în baza consumului de energie al televizorului, când este în funcțiune 4 ore pe zi pe o perioadă de 365 de zile. Consumul real de energie va depinde de modul în care este utilizat televizorul.
- \*8 Puterea specificată în modul standby este atinsă după ce televizorul încheie procesele interne necesare.
- \*9 Consumul de energie în modul standby va crește atunci când televizorul dumneavoastră este conectat la rețea.


## Notă

- Nu scoateți cartela de protecție sau capacul (prezente în funcție de modelul televizorului) din slotul CAM (Modul de acces condiționat) al televizorului decât pentru introducerea unei cartele inteligente în CAM.
- Accesoriile opționale sunt disponibile în funcție de țări/regiune/ modelul televizorului/stoc.
- Designul și specificațiile se pot modifica fără notificare prealabilă.

## Note privind televiziunea digitală

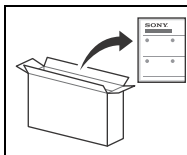
- Canalele digitale (prin antenă DVB, satelit și cablu), serviciile interactive și funcțiile de rețea pot să nu fie disponibile în toate țările sau regiunile. Este posibil ca unele funcții să nu poată fi activate sau să nu funcționeze corect cu anumiți furnizori de servicii și medii de rețea. Unii furnizori pot solicita taxe pentru serviciile oferite.
- Acest televizor acceptă posturi digitale prin folosirea codecurilor MPEG-2, H.264/MPEG-4 AVC și H.265/HEVC, dar compatibilitatea cu semnalele tuturor operatorilor/serviciilor, care se pot schimba în timp, nu poate fi garantată.

## Informații legate de mărci

- Termenii HDMI, HDMI High-Definition Multimedia Interface și sigla HDMI sunt mărci comerciale sau mărci comerciale înregistrate ale HDMI Licensing Administrator, Inc. în Statele Unite și în alte țări.
- Simbolurile Dolby, Dolby Vision, Dolby Audio, și double-D sunt mărci comerciale ale Dolby Laboratories. Fabricat sub licență de la Dolby Laboratories. Lucrări nepublicate confidențiale. Drepturi de autor © 1992-2015 Dolby Laboratories. Toate drepturile rezervate.
- „BRAVIA”, BRAVIA și BRAVIA Sync sunt mărci comerciale sau mărci comerciale înregistrate ale Sony Corporation.
- Gracenote, sigla și logotipul Gracenote și sigla „Powered by Gracenote” sunt mărci comerciale înregistrate sau mărci comerciale ale Gracenote, Inc. în Statele Unite și/sau alte țări.
- Vewd® Core. Copyright 1995-2019 Vewd Software AS. All rights reserved.
- Google, Google Play, Chromecast, YouTube, Android TV și alte mărci și sigle conexe sunt mărci comerciale deținute de Google LLC.
- Wi-Fi®, Wi-Fi Alliance® și Wi-Fi Direct® sunt mărci comerciale înregistrate ale Wi-Fi Alliance.
- Sigla Wi-Fi CERTIFIED™ este marcă de certificare a Wi-Fi Alliance.
- Pentru informații despre brevetele DTS, vizitați <http://patents.dts.com>. Fabricat sub licență primită de la DTS, Inc. DTS, simbolul, și DTS și simbolul împreună sunt mărci comerciale înregistrate, iar DTS Digital Surround este marcă comercială a DTS, Inc. © DTS, Inc. Toate drepturile rezervate.
- Marcele cu cuvântul Bluetooth® și siglele aferente sunt mărci înregistrate deținute de Bluetooth SIG, Inc. și orice utilizare a acestor marce de către Sony Corporation se face sub licență. Alte mărci comerciale și nume comerciale sunt proprietatea respectivilor deținători.
- Netflix este marcă comercială înregistrată a Netflix, Inc.
- DiSEqC™ este marcă comercială a EUTELSAT. Acest televizor acceptă DiSEqC 1.0. Acest televizor nu este proiectat pentru controlul antenelor motorizate.
- TUXERA este marcă comercială înregistrată a Tuxera Inc. în S.U.A. și în alte țări.
- Sigla SuperSpeed USB Trident a USB-IF este o marcă comercială înregistrată a USB Implementers Forum, Inc. **SS** .
- Toate celelalte mărci comerciale sunt proprietatea respectivilor deținători.







За да закачите  
поставката за маса,  
вижте Ръководството за  
настройка.

## Съдържание

ВАЖНА ЗАБЕЛЕЖКА	2
Информация за безопасност	3
Дистанционно управление и телевизор	5
Диаграма на свързване	6
Монтаж на телевизора на стена	8
Използване на опционалната Конзола за закрепване към стена	8
Сваляне на поставката за маса от телевизора	9
Отстраняване на неизправности	10
Проблеми и решения	10
Спецификации	10

### Интернет връзка и защита на личните данни

Този продукт се свързва с интернет по време на първоначалната настройка, веднага след като се свърже с мрежа с цел да се потвърди достъпа до интернет, както и по-късно, за да се конфигурира Ноте екрана. Вашият IP адрес се използва за тези и всички други свързвания с интернет. Ако не искате вашият IP адрес да се използва изобщо, не настройвайте функцията за безжичен интернет и не свързвайте уреда с интернет по кабел. За повече подробности за интернет връзките, моля, вижте информацията за поверителност, представена в екраните за настройка.

## Въведение

Благодарим ви за покупката на този Sony продукт. Преди да започнете работа с телевизора, прочетете ръководството изцяло и го запазете за бъдещи справки.

### Забележка

- Преди да започнете работа с телевизора, моля, прочетете "Информация за безопасност" (стр. 3).
- Прочетете дадената Информация за безопасност за допълнителни сведения за безопасността.
- Изображенията и илюстрациите, използвани в Ръководството за настройка и в това ръководство, са само за справка и може да се различават от действителния продукт.
- Знакът "xx", който се появява в името на модела, съответства на номер, свързан с дизайна, цвета или системата на телевизора.

## Помощ

Намерете допълнителна информация за отстраняване на неизправности и друга полезна информация директно от вашия телевизор. Натиснете **HELP** на дистанционното управление, за да видите списъка с теми или за да търсите по ключова дума.

### Помощно ръководство (Ръчно)

За по-подробна информация изберете [Помощно ръководство] от менюто Помощ на вашия телевизор. Можете да проверите Помощното ръководство и от вашия компютър или смартфон (информацията е предоставена на задната корица на това ръководство).

## Място на идентификационния етикет

Етикетите за номер на модела, дата на производство (година/месец) и клас на захранване, са разположени на гърба на телевизора или опаковката.

## ВАЖНА ЗАБЕЛЕЖКА

### Забележка за радио оборуване



С настоящото Sony Visual Products Inc. декларира, че типове радиооборудване KD-85XG8596, KD-75XG8796, KD-75XG8599, KD-75XG8588, KD-75XG8505, KD-65XG8796, KD-65XG8599, KD-65XG8596, KD-65XG8588, KD-65XG8577, KD-65XG8505, KD-55XG8796, KD-55XG8599, KD-55XG8596, KD-55XG8588, KD-55XG8577, KD-55XG8505 съответстват на Директива 2014/53/ЕС. Цялостният текст на ЕС декларацията за съответствие може да се намери на следния интернет адрес: <http://www.compliance.sony.de/>

Забележка за потребители: следната информация се отнася само за оборудване, продавано в страни, където се прилагат директивите на ЕС.

За това радио оборудване важат следните ограничения за въвеждане в експлоатация или за разрешение за употреба в AT, BE, HR, CY, CZ, DK, EE, FI, FR, DE, EL, HU, IE, IT, LV, LT, LU, MT, NL, PL, PT, SK, SI, ES, SE, UK, IS, LI, NO, CH, BG, RO, TR, AL, BA, MK, MD, RS, ME, Косово :  
5 150 - 5 350 MHz честота е ограничена само за работа на закрито.

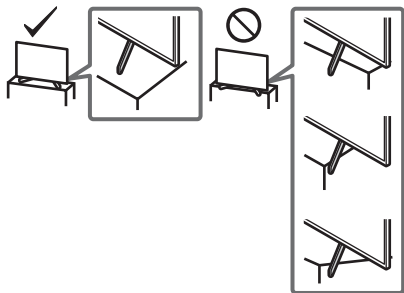
## Информация за безопасност

### Инсталация/Настройка

Инсталирайте и използвайте телевизора в съответствие с инструкциите, описани по-долу, за да избегнете риск от пожар, токов удар или повреда и/или наранявания.

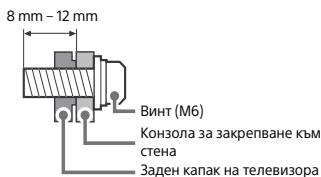
#### Инсталация

- Телевизорът трябва да бъде инсталиран близо до лесно достъпен контакт.
- Поставете телевизора на стабилна, равна повърхност, за да избегнете падането му, което може да причини нараняване на човек или повреда на имущество.
- Монтирайте телевизора на място, където не може да бъде дръпнат, бутнат или преобърнат.
- Поставете телевизора така, че стойката за маса на ТВ да не е стърчи от масата, на която е поставен телевизорът (не се доставя). Ако стойката за маса е издадена навън спрямо масата, на която е поставен телевизора, това може да доведе до преобръщане или падане на телевизора и да доведе до нараняване на човек или повреда на телевизора.

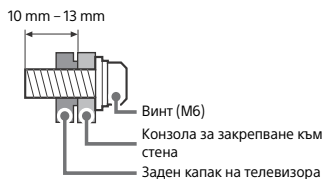


- Монтажът на устройството към стената трябва да се извърши само от квалифициран персонал.
- За по-голяма безопасност ви препоръчваме да използвате оригиналните аксесоари на Sony, включително:  
— Конзола за закрепване към стена SU-WL450
- На всяка цена използвайте винтовете приложени към Конзолата за закрепване към стена, когато закачате Конзолата за закрепване към стена към телевизора. Приложените винтове са проектирани както е показано на илюстрацията, измерването е направено спрямо закачващата повърхност на Конзолата за закрепване към стена.  
Диаметърът и дължината на винтовете се различават в зависимост от модела на Конзолата за закрепване към стена.  
Използването на винтове, различни от тези в комплекта на конзолата, може да доведе до вътрешни повреди на телевизора или да стане причина за падането му и т.н.

#### KD-85XG85xx



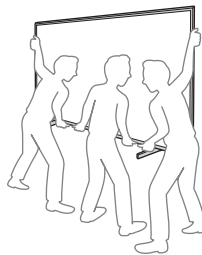
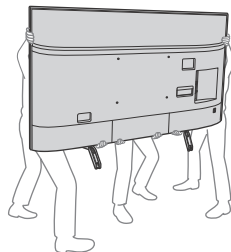
#### KD-75/65/55XG87xx, KD-75/65/55XG85xx



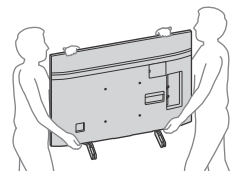
#### Пренасяне

- Преди да местите телевизора, изключете всички кабели от него.
- Пренасянето на голям телевизор изисква двама или повече души (трима или повече души за KD-85XG85xx).
- Когато местите телевизора на ръце, дръжте го, както е показано по-долу. Не натискайте LCD панела и рамката около екрана.
- Когато повдигате или местите телевизора, го дръжте здраво от долу.

#### KD-85XG85xx



#### KD-75/65/55XG87xx, KD-75/65/55XG85xx

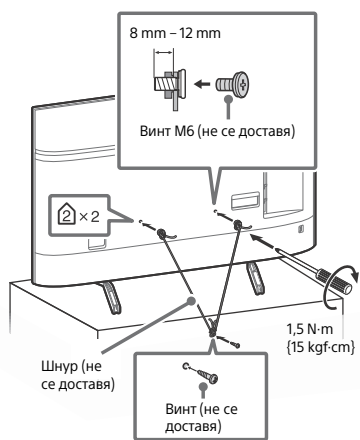
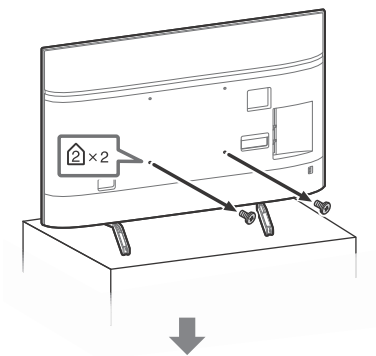


- При пренасяне не излагайте телевизора на сътресения или прекалени вибрации.
- Когато пренасяте телевизора при ремонт или при смяна на жилището, пакетирайте го, като използвате оригиналната опаковка и материали за пакетиране.

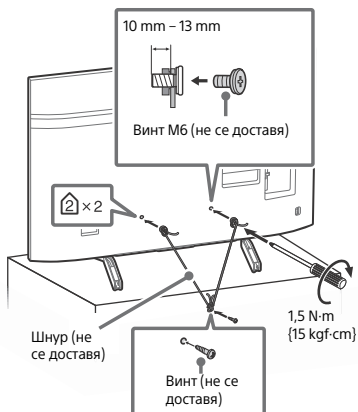
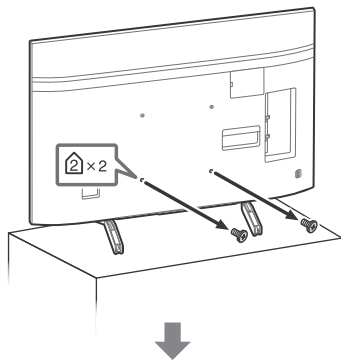
BG

## Предотвратяване на падане

KD-85XG85xx

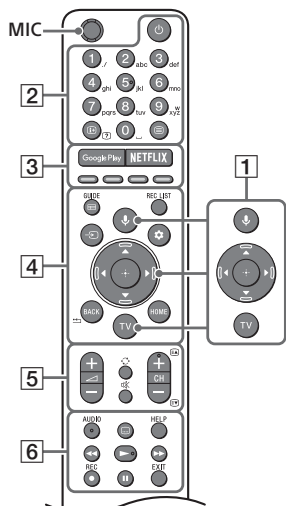


KD-75/65/55XG87xx, KD-75/65/55XG85xx



## Дистанционно управление и телевизор

Разположението, формата, наличността и функциите на бутоните на дистанционното управление могат да се различават в зависимост от региона/държавата/модела на телевизора.



- 1 **Микрофон:** Използвайте гласово търсене. (напр. Търсете съдържание като говорите.)<sup>\*1</sup>

**▲/▼/◀/▶/⊕ (D-Pad за навигиране):** Навигация в екранното меню и избор.

**TV:** Превключва към телевизионен канал или вход и показва TV меню.

- 2 **TV готовност**

**Бутони с цифри**

**ℹ/? (Инфо/Показване на текст):** Показва информация.

**☰ (Текст):** Показва текстова информация.

- 3 **Google Play**  
**NETFLIX (Само за ограничени региони/страни/модели телевизори)**  
**Цветни бутони**

- 4 **GUIDE/☰:** Показва справочника на цифровите програми или EPG на кабелна/сателитна кутия<sup>\*2</sup>.

**REC LIST:** Показва списък със записани предавания от USB HDD или DVR<sup>\*2</sup>.

**↵ (Избор на вход):** Показва и избира входния източник и пр.

**⚙ (Бързи настройки):** Показва Бързи настройки.

**BACK/⬅**

**HOME**

- 5 **↔ +/- (Сила на звука)**

**⏪ (Прескачане)**

**⏸ (Заглушаване)**

**Свет**

• Прекъпте пътя до услугите за хора с увреждания могат да се включват или изключват чрез натискане и задържане на ⏸.

**CH +/-/⏪/⏩**

В ТВ режим: Избира канал.

В режим Текст: Избира следващата (⏩) или предишната (⏪) страница.

- 6 **AUDIO:** Изберете съответния звук от многоезичния източник или двойния звук (зависи от източника на програмата).

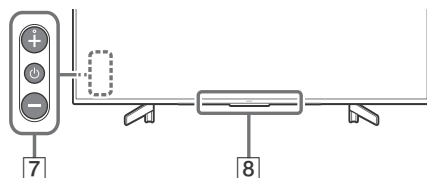
**⋮ (Настройка на субтитрите)**

**HELP:** Показва помощно меню.

**⏮/▶/▶▶/⏸**

● **REC:** Записва гледаната в момента програма на USB HDD или DVR<sup>\*2</sup>.

**EXIT**



- 7 **⏻ (Захранване)**

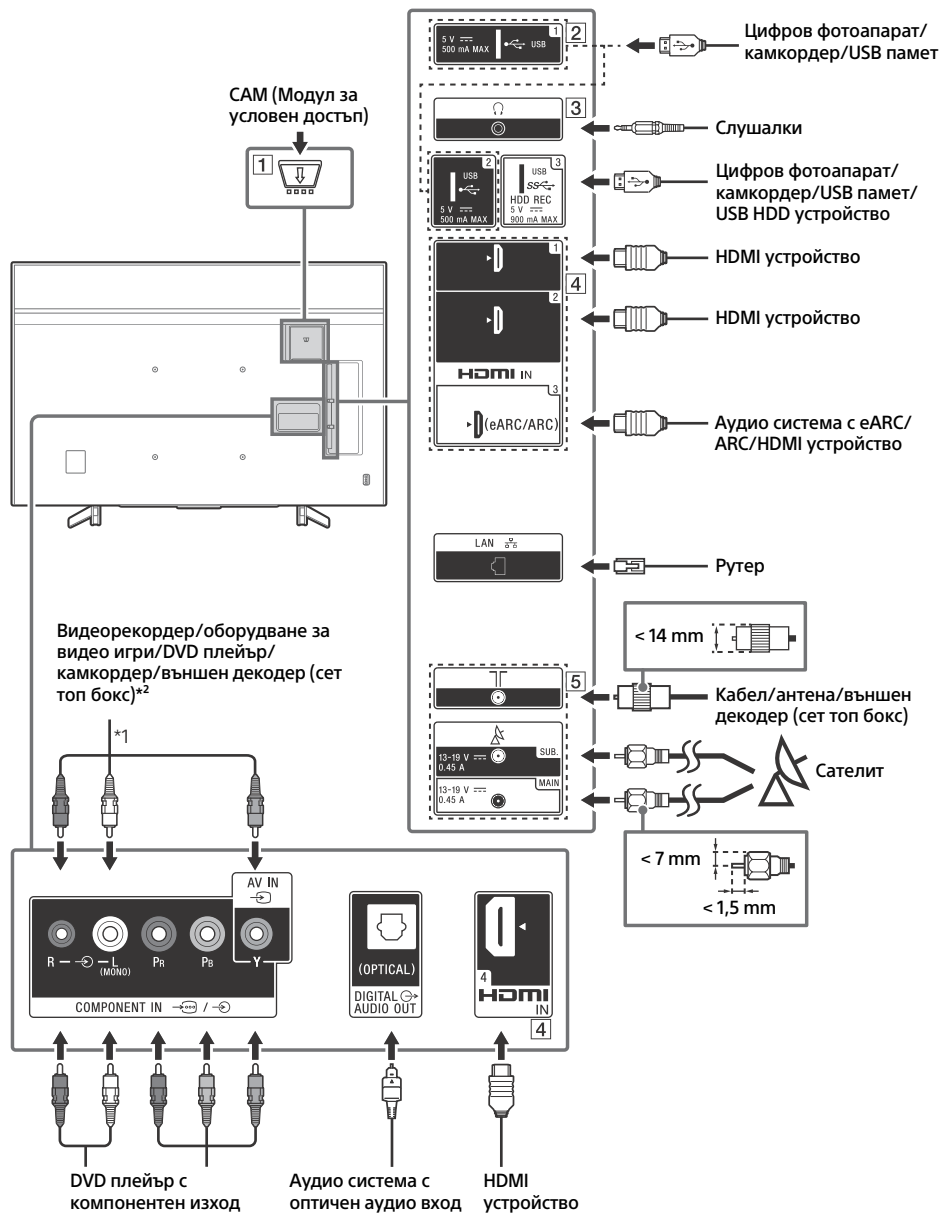
- 8 **Сензор за дистанционното управление / Светлинен сензор / LED осветление**

\*1 Гласовото търсене изисква интернет връзка.

\*2 Необходима е настройката [Настройка на кабелен/сателитен декодер] (само за ограничени региони/страни/модели телевизори). За повече информация вижте в Помощното ръководство.

# Диаграма на свързване

За повече информация за връзките, вижте Помощното ръководство чрез натискане на бутона **HELP** на дистанционното управление.



### 1 📺 CAM (Модул за условен достъп)

- Предоставя достъп до платени ТВ услуги. За подробности вижте Ръководството за употреба, доставено с вашия CAM.
- Не поставяйте смарт картата директно в CAM слота на телевизора. Тя трябва да се постави в модула за условен достъп, предоставен от вашия оператор.
- CAM не се поддържа в някои държави/региони. Проверете при вашия оператор.
- Когато превключите към цифрова програма след като гледате интернет видео, може да се появи CAM съобщение.

### 2 🔄 USB 1/2, SSD 🔄 USB 3 (HDD REC)\*3

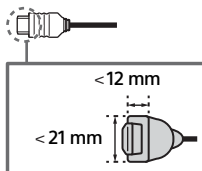
- Свързването на голямо USB устройство може да повлияе на работата на други свързани устройства в близост до него.
- Когато свързвате голямо USB устройство, свързвайте го към куплунг USB 1.
- Свържете USB HDD устройство към USB 3 порта (син).

### 3 🎧 (Слушалки)

- Поддържа само стерео мини-жак с три полюса.
- Не можете да пускате звук едновременно от слушалките и високоговорителите на телевизора.

### 4 HDMI IN 1/2/3/4

- Интерфейсът HDMI може да пренася цифрово видео и аудио по един кабел.



- За да се наслаждавате на висококачествено 4K 50p/60p съдържание, свържете качествен високоскоростен HDMI кабел и задайте [Формат на HDMI сигнала.] на [Подобрен формат]. Извършете тази настройка за всеки свързан HDMI IN терминал. За повече информация относно поддържаните формати вижте "Спецификации" в това ръководство (стр. 10-12).
- **HDMI IN 3 eARC/ARC (Enhanced Audio Return Channel/Audio Return Channel)**  
Свържете аудио системата си към HDMI IN 3, за да насочите телевизионния аудио сигнал към вашата аудио система. Аудио система, която поддържа HDMI eARC/ARC, може да изпраща видео към телевизора и да получава аудио от телевизора чрез същия HDMI кабел. Ако вашата аудио система не поддържа HDMI eARC/ARC, е необходима допълнителна връзка с DIGITAL AUDIO OUT (OPTICAL).
- Използвайте HDMI кабел с Ethernet, за да свържете аудио система с eARC.



### 5 📡 (RF вход), 📡 (Сателитен вход)

- Куплунг за наземна/кабелна и сателитна телевизия. Стъпки на свързване: SUB. → MAIN → Антена
- Свържете SUB. жака, само когато използвате режим двоен тунер, с изключение на еднокабелно разпределение EN50494.

\*1 Когато свързвате моно оборудване, свържете към L (MONO) аудио жак.

\*2 За външно устройство, което има само SCART AV OUT, използвайте SCART-RCA адаптер.

\*3 Само за ограничени региони/страни/модели телевизори.

# Монтаж на телевизора на стена

## Използване на опционалната Конзола за закрепване към стена

В това ръководство за употреба е показана само подготовката на телевизора за монтаж на стена, преди той да бъде монтиран на стената.

### До потребителите:

От съображения за безопасност и за защита на продукта, Sony препоръчва монтажът на вашия телевизор да бъде извършен от дистрибутор на Sony или от лицензиран подизпълнител. Не се опитвайте да го монтирате сами.

### До търговците и доставчиците на Sony:

Подходете с подчертано внимание към безопасността по време на монтажа, периодичната поддръжка и проверката на този продукт.

За монтажа на този продукт се изисква значителен опит, особено за определяне на здравината на стената, която трябва да издържи тежестта на телевизора. На всяка цена поверете закрепването на този продукт към стена на дистрибутори на Sony или лицензирани подизпълнители и по време на монтажа обърнете особено внимание на мерките за безопасност. Sony не носи отговорност за повреди или наранявания, причинени от неправилни манипулации или монтаж.

Използвайте Конзола за закрепване към стена SU-WL450 (не се доставя), за да монтирате телевизора на стената.

Когато монтирате Конзолата за закрепване към стена, прочетете също Инструкциите за експлоатация и Указанията за монтаж на Конзолата за закрепване към стена.

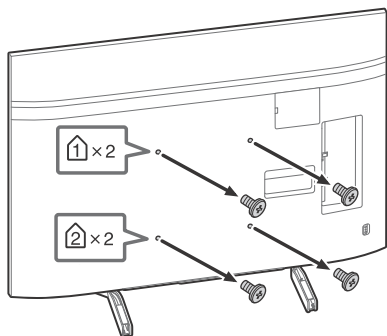
### Забележка

- Не пропускате да запазите свалените винтове на сигурно място, като ги пазите от деца.



За инструкции относно монтирането на Конзолата за закрепване към стена вижте Информация за монтаж (Конзола за закрепване към стена) на страницата за вашия модел телевизор.  
[www.sony.eu/support/](http://www.sony.eu/support/)

## Свалете винтовете от задната страна на телевизора.

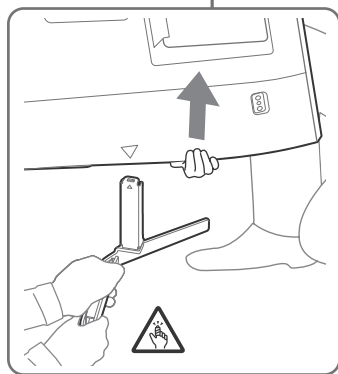
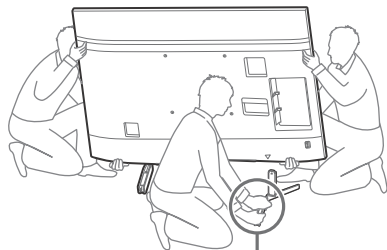




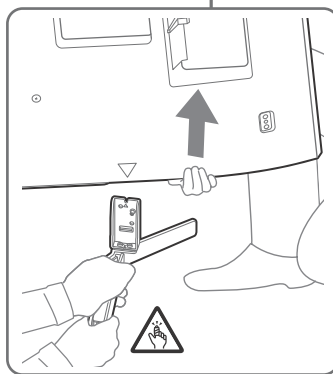
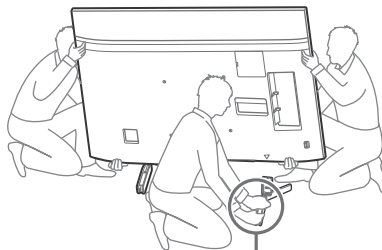
## Сваляне на поставката за маса от телевизора

- 1 Отстранете едната страна на стойката за маса. Дръжте здраво стойката за маса стабилно с двете си ръце, докато други повдигат телевизора.

KD-85XG85xx



KD-75/65/55XG87xx, KD-75/65/55XG85xx



- 2 Повторете предишната стъпка и отстранете другата страна на стойката за маса.

### Забележка

- Свалянето на поставката за маса следва да се извърши от двама или повече души.
- Внимавайте да не прилагате прекомерна сила, когато сваляте поставката за маса от телевизора, тъй като телевизорът може да падне и да причини телесно нараняване или самият телевизор да се повреди.
- Бъдете внимателни, когато работите с поставката за маса, за да избегнете повреждане на телевизора.
- Внимавайте, когато повдигате телевизора, тъй като стойката за маса не е закачена и стойката за маса може да се изсипе и да причини нараняване.
- Внимавайте, когато премахвате стойката за маса от телевизора, за да предотвратите падането ѝ и нараняването на повърхността, върху която стои телевизора.

## Отстраняване на неизправности

За отстраняване на общи неизправности като: черен екран, липса на звук, замръзнала картина, блокиране на телевизор или загуба на мрежа, изпълнете следните стъпки.

- 1 Рестартирайте вашия телевизор чрез натискане на бутона за захранване на дистанционното управление, докато се появи съобщение. Телевизорът ще се рестартира. Ако телевизорът не работи, опитайте да извадите захранващия кабел. След това натиснете бутона за включване на телевизора и изчакайте две минути, след това свържете кабела отново.
- 2 Вижте Помощното ръководство чрез натискане на **HELP** на дистанционното управление.
- 3 Свържете своя телевизор с интернет и направете актуализация на софтуера. Sony препоръчва да поддържате софтуера на телевизора си актуален. Актуализациите на софтуера предоставят нови функции и подобрения на производителността.
- 4 Посетете сайта за поддръжка на Sony (информацията е предоставена на предната корица на това ръководство).

**Когато включите захранващия кабел на телевизора, той може да не се включи веднага, дори ако натиснете бутона за включване на дистанционното управление или телевизора.**

Инициализирането на системата отнема време. Изчакайте за около една минута и опитайте отново.

### Проблеми и решения

**Когато светодиодът мига в червено.**

- Преброят колко пъти мига (интервалът от време е три секунди). Рестартирайте телевизора, като изключите захранващия кабел докато светодиодът спре да премигва в червено, след което го включете отново. Ако проблемът продължи, изключете захранващия кабел и се свържете с вашия доставчик или сервизен център на Sony като посочите колко пъти мига светодиода.

**Не се приема ефирна/кабелна услуга.**

- Проверете връзката с ефирната антена/кабела и настройките на антенния усилвател.
- Ако излъчваната услуга не се показва, изберете ефирна/кабелна услуга чрез натискане на бутона **TV** на дистанционното управление, след което изберете [Цифрова ТВ].
- Наземният сигнал може да бъде потиснат, ако има силен сигнал, който се излъчва в близост. Настройте [LNA (Канал ---)] на [Изкл.] в цифровите настройки.
- След преместване в нова къща или когато търсите нови услуги, опитайте търсене на услуга като изберете [Цифрови настройки].

**Не се приемат сателитни услуги.**

- Проверете сателитната кабелна връзка.
- Когато се появи съобщение [Няма сигнал. Отчетено е претоварване на LNB...], извадете захранващия кабел. След това се уверете, че сателитният кабел не е повреден, а линията на сателитния сигнал не е дала на късо в сателитния конектор.

**Дистанционното управление не работи.**

- Сменете батериите.

**Забравена парола за родителско заключване на излъчване.**

- Въведете 9999 за ПИН кода и изберете [Смяна на ПИН кода].

**Рамката на телевизора се затопля.**

- Когато телевизорът се използва продължително време, рамката му се затопля. Може да усетите топлина, когато я докоснете с ръка.

## Спецификации

### Система

Система на панела  
LCD (течнокристален дисплей) панел, LED подсветка  
ТВ система

В зависимост от вашата държава/избор на зона/модел на телевизора

Аналогов: B/G, D/K, I

Цифров: DVB-T/DVB-C

DVB-T2<sup>1</sup>

Сателит<sup>1</sup>: DVB-S/DVB-S2

Цветова система

PAL/SECAM/NTSC3.58 (само видео)/NTSC4.43 (само видео)

Покритие на каналите

В зависимост от вашата държава/избор на зона/модел на телевизора

Аналогов: UHF/VHF/кабел

Цифров: UHF/VHF/кабел

Сателит<sup>1</sup>: 1F честота 950-2150 MHz

Звуков изход

10 W + 10 W

## Безжична технология

IEEE802.11ac/a/b/g/n протокол  
(IEEE802.11ac може да не е налично в зависимост от страната/региона.)  
Bluetooth версия 4.2  
Честотна(и) лента(и)

Безжичен LAN (IEEE802.11ac/a/b/g/n)	
Честотен обхват	Изходяща мощност
2 400-2 483,5 MHz	< 20,0 dBm
5 150-5 250 MHz	< 23,0 dBm
5 250-5 350 MHz	< 20,0 dBm
5 470-5 725 MHz	< 20,0 dBm
5 725-5 850 MHz	< 13,9 dBm

Bluetooth	
Честотен обхват	Изходяща мощност
2 400-2 483,5 MHz	< 10,0 dBm

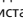
RMF-TX600E/TX500E

Bluetooth	
Честотен обхват	Изходяща мощност
2 400-2 483,5 MHz	< 10,0 dBm

## Софтуерна версия

Това радио оборудване е предназначено за употреба с одобрените версии на софтуера, които са посочени в декларацията за съответствие на ЕС.

Натиснете **HELP** на дистанционно управление, за да видите версиите на софтуера.

Дистанционно управление: 

Изберете [Дистанционно управление] → [Софтуерна версия:] от [Настройки]. За повече информация вижте в Помощното ръководство.

Софтуерът, зареден на това радио оборудване, е удостоверен като съответства на съществените изисквания на Директива 2014/53/EC.

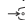
## Входно/изходни жакове

### Антенна/кабел

75 ома външен терминал за VHF/UHF

Сателитна антена\*1

Конектор тип F, женски, 75 ома.  
DISEqC 1.0, LNB 13 V/18 V & 22 kHz тон, Разпределяне по 1 кабел EN50494.

 /  COMPONENT IN

YpPr (Компонентно видео): 1080p (50, 60 Hz), 1080i (50, 60 Hz), 720p (50, 60 Hz), 576p, 576i, 480p, 480i

Аудио вход (фоно жакове)

 AV IN

Видео вход (общ фоно пин с Y вход)

HDMI IN 1/2/3/4 (поддържа 4K резолюция, Съвместим с HDCP 2.3)

Видео:

4096 × 2160p (50, 60 Hz)\*2x3, 4096 × 2160p (24 Hz)\*2, 3840 × 2160p (50, 60 Hz)\*3, 3840 × 2160p (24, 25, 30 Hz), 1080p (30, 50, 60 Hz), 1080i/24p, 1080i (50, 60 Hz), 720p (30, 50, 60 Hz), 720i/24p, 576p, 480p, PC формати\*4

Аудио:

В режим eARC (Enhanced Audio Return Channel) \*5  
За повече информация вижте Помощното ръководство.

С изключение на режим eARC

5,1 канален линейен PCM: 32/44,1/48/88,2/96/176,4/192 kHz 16/20/24 бита, Dolby Digital, Dolby Digital Plus, DTS

eARC/ARC (Enhanced Audio Return Channel/Audio Return Channel) (само HDMI IN 3)

В режим eARC \*5


За повече информация вижте Помощното ръководство.

В ARC режим

Двуканален линейен PCM: 48 kHz 16 бита, Dolby Digital, Dolby Digital Plus, DTS


 DIGITAL AUDIO OUT (OPTICAL)

Цифров оптичен жак (Двуканален линейен PCM: 48 kHz 16 бита, Dolby Digital, DTS)

 (Стерео мини жак)

Слушалки

 1,  2,  3 (HDD REC) \*6

порт за USB устройство ( 3 USB HDD устройство за функция REC)

USB порт 1 и 2 поддържат High Speed USB (USB 2.0)

USB порт 3 поддържа Super Speed USB (USB 3.1 Gen 1)



CAM (модул за условен достъп) гнездо

 LAN

10BASE-T/100BASE-TX конектор (в зависимост от условията на работа на мрежата, скоростта на пренос на данните може да се различава. Капацитетът и качеството на комуникацията не са гарантирани.)

## Други

Допълнителни аксесоари

Конзола за закрепване към стена: SU-WL450

Работна температура

0 °C – 40 °C

Работна влажност

Относителна влажност 10 % – 80 % (без образуване на конденз)

## Захранване, фиш на продукта и други

Изисквания за захранването

220 V – 240 V AC, 50 Hz

Енергиен клас

KD-85XG85xx: A

KD-75XG87xx / KD-75XG85xx: A+

KD-65XG87xx / KD-65XG85xx: A

KD-55XG87xx / KD-55XG85xx: A

Размер на екрана (измерен по диагонала) (прибл.)

KD-85XG85xx: 214,8 cm / 85 инча

KD-75XG87xx / KD-75XG85xx: 189,3 cm / 75 инча

KD-65XG87xx / KD-65XG85xx: 163,9 cm / 65 инча

KD-55XG87xx / KD-55XG85xx: 138,8 cm / 55 инча

Консумация на енергия

В [Стандартен] режим

KD-85XG85xx: 216 W

KD-75XG87xx / KD-75XG85xx: 158 W

KD-65XG87xx / KD-65XG85xx: 127 W

KD-55XG87xx / KD-55XG85xx: 111 W

В [Ярък] режим

KD-85XG8596: 362 W

KD-75XG8796: 275 W

KD-75XG8599: 275 W

KD-75XG8596: 275 W

KD-75XG8588: 275 W

KD-75XG8505: 275 W

KD-65XG8796: 221 W

KD-65XG8599: 221 W

KD-65XG8596: 221 W

KD-65XG8588: 221 W

KD-65XG8577: 221 W

KD-65XG8505: 221 W

KD-55XG8796: 186 W

KD-55XG8599: 186 W

KD-55XG8596: 186 W

KD-55XG8588: 186 W

KD-55XG8577: 186 W

KD-55XG8505: 186 W

Годишна консумация на енергия\*7

KD-85XG85xx: 300 kWh годишно

KD-75XG87xx / KD-75XG85xx: 219 kWh годишно

KD-65XG87xx / KD-65XG85xx: 176 kWh годишно

KD-55XG87xx / KD-55XG85xx: 154 kWh годишно

Консумация на енергия в режим Готовност\*8x9

0,50 W (25 W в режим на актуализация на софтуер/EPG)

## Резолюция на дисплея

3 840 точки (по хоризонтала) × 2 160 реда (по вертикала)

## Изходни номинални данни

USB 1/2

5 V ---, 500 mA (макс.)

USB 3

5 V ---, 900 mA (макс.)

## Размери (прибл.) (ш × в × д)

### с поставка за маса

KD-85XG85xx: 190,9 × 117,5 × 43,3 cm

KD-75XG87xx / KD-75XG85xx: 167,3 × 103,1 × 35,8 cm

KD-65XG87xx / KD-65XG85xx: 145,0 × 89,9 × 31,6 cm

KD-55XG87xx / KD-55XG85xx: 123,1 × 77,6 × 31,6 cm

### без поставка за маса

KD-85XG85xx: 190,9 × 109,7 × 8,0 cm

KD-75XG87xx / KD-75XG85xx: 167,3 × 96,3 × 5,4 cm

KD-65XG87xx / KD-65XG85xx: 145,0 × 83,6 × 5,2 cm

KD-55XG87xx / KD-55XG85xx: 123,1 × 71,3 × 5,2 cm

## Тегло (прибл.)

### с поставка за маса

KD-85XG85xx: 49 kg

KD-75XG87xx / KD-75XG85xx: 39,3 kg

KD-65XG87xx / KD-65XG85xx: 26,3 kg

KD-55XG87xx / KD-55XG85xx: 19,7 kg

### без поставка за маса

KD-85XG85xx: 46,5 kg

KD-75XG87xx / KD-75XG85xx: 37,8 kg

KD-65XG87xx / KD-65XG85xx: 25,3 kg

KD-55XG87xx / KD-55XG85xx: 18,7 kg

- 1 Не всички телевизори имат DVB-T2 или DVB-S/S2 технология или конектор за сателитна антена.
- 2 Когато се подава 4096 × 2160p и [Широкоекранен режим] е настроен на [Нормален], резолюцията се показва като 3840 × 2160p. За показване на 4096 × 2160p сложете настройката [Широкоекранен режим] на [Пълен 1] или [Пълен 2].
- 3 За поддържане на 18 Gbps настройте [Формат на HDMI сигнала.] на [Подобрен формат].
- 4 За повече информация вижте Помощното ръководство.
- 5 Режим eARC е активен, когато [Режим eARC] е зададен на [Автомат.], [Говорител] е зададено на [Аудио система] и е свързана аудио система, съвместима с режим eARC.
- 6 Само за ограничени региони/страни/моделни телевизори.
- 7 Годишната консумация на енергия в kWh е базирана на консумацията на телевизор, който работи 4 часа на ден, 365 дни. Действителната консумация на енергия зависи от това как се използва телевизора.
- 8 Указаната консумация на енергия в режим Готовност се достига след като телевизорът приключи необходимите вътрешни процеси.
- 9 Консумацията на енергия в режим готовност ще се увеличи, когато вашият телевизор е свързан към мрежа.


## Забележка

- Не изваждайте псевдо-картата или капака (наличието им зависи от модела на телевизора) от TV CAM слота (Модула за условен достъп), освен за да поставите смарт карта в CAM.
- Наличието на допълнителни аксесоари зависи от държавата/региона/модела на телевизора и наличието.
- Дизайнът и спецификациите подлежат на промяна без предупреждение.

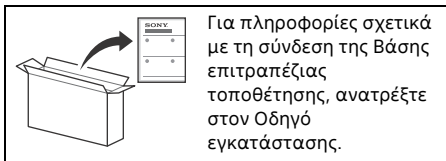
## Забележка за цифровата функция на телевизора

- Цифрова телевизия (DVB наземно, сателитно и кабелно), интерактивни услуги и мрежови функции може да не са достъпни във всички страни или райони. Някои функции може да не са активирани или може да не работят правилно с някои доставчици и мрежови среди. Някои доставчици на телевизионни услуги може да начисляват такса за услугите си.
- Този телевизор поддържа цифрово предаване, използвайки MPEG-2, H.264 / MPEG-4 AVC и H.265 / HEVC кодеци, но не може да бъде гарантирана съвместимостта с всички сигнали на оператори/услуги, които може да се променят с течение на времето.

## Информация за търговски марки

- Термините HDMI и Интерфейс за мултимедия с висока разделителна способност HDMI (HDMI - High-Definition Multimedia Interface), както и логото HDMI са запазени марки на HDMI Licensing Administrator, Inc. в Съединените щати и други държави.
- Dolby, Dolby Vision, Dolby Audio, и символът на двойното "D" са търговски марки на Dolby Laboratories. Произведено по лиценз на Dolby Laboratories. Конфиденциални непубликувани трудове. Авторско право © 1992-2015 Dolby Laboratories. Всички права запазени.
- "BRAVIA", BRAVIA и BRAVIA Sync са търговски марки или регистрирани марки на Sony Corporation.
- Gracenote, логото и логотипът Gracenote, както и логото "Powered by Gracenote" са регистрирани търговски марки или търговски марки на Gracenote, Inc. в САЩ и/или други държави.
- Vewd® Core. Copyright 1995-2019 Vewd Software AS. All rights reserved.
- Google, Google Play, Chromecast, YouTube, Android TV и други свързани марки и логота са запазени марки на Google LLC.
- Wi-Fi®, Wi-Fi Alliance® и Wi-Fi Direct® са регистрирани търговски марки на Wi-Fi Alliance.
- Логото Wi-Fi CERTIFIED™ е сертификационен знак на Wi-Fi Alliance.
- За DTS патенти, вижте <http://patents.dts.com>. Произведено по лиценз на DTS, Inc. DTS, символът, & DTS и символът заедно са регистрирани търговски марки, а DTS Digital Surround е търговска марка на DTS, Inc. © DTS, Inc. Всички права запазени.
- Знакът Bluetooth® и фирмените знаци са регистрирани търговски марки собственост на Bluetooth SIG, Inc. и използването на тези знаци от Sony Corporation е по лиценз. Други търговски марки и търговски имена са притежание на съответните им собственици.
- Netflix е регистрирана търговска марка на Netflix, Inc.
- DiSEqC™ е търговска марка на EUTELSAT. Този телевизор поддържа DiSEqC 1.0. Този телевизор не е предназначен за управление на антени с мотор.
- TUXERA е регистрирана търговска марка на Tuxera Inc. в САЩ и други страни.
- Логото USB-IF SuperSpeed USB Trident е регистрирана търговска марка на USB Implementers Forum, Inc. 
- Всички други търговски марки са притежание на съответните им собственици.





Για πληροφορίες σχετικά με τη σύνδεση της Βάσης επιτραπέζιας τοποθέτησης, ανατρέξτε στον Οδηγό εγκατάστασης.

## Περιεχόμενα

ΣΗΜΑΝΤΙΚΗ ΣΗΜΕΙΩΣΗ	2
Πληροφορίες σχετικά με την ασφάλεια	3
Τηλεχειριστήριο και τηλεόραση	5
Διάγραμμα συνδέσεων	6
Εγκατάσταση της τηλεόρασης στον τοίχο	8
Χρήση της προαιρετικής Επιτοίχιας Βάσης	8
Αφαίρεση της Βάσης επιτραπέζιας τοποθέτησης από την τηλεόραση	9
Αντιμετώπιση προβλημάτων	10
Προβλήματα και λύσεις	10
Τεχνικά χαρακτηριστικά	11

### Σύνδεση Internet και προστασία προσωπικών δεδομένων

Αυτό το προϊόν συνδέεται στο Internet κατά την αρχική εγκατάσταση μόλις συνδεθεί σε ένα δίκτυο ώστε να επιβεβαιωθεί η σύνδεση στο Internet και, στη συνέχεια, για να διαμορφωθεί η Αρχική οθόνη. Η διεύθυνση σας IP χρησιμοποιείται για αυτή και για όλες τις άλλες συνδέσεις Internet. Αν δεν επιθυμείτε να χρησιμοποιηθεί καθόλου η διεύθυνση σας IP, μη ρυθμίσετε την ασύρματη λειτουργία Internet και μη συνδέσετε καλώδιο Internet. Ανατρέξτε στις πληροφορίες προστασίας προσωπικών δεδομένων που εμφανίζονται στις οθόνες ρυθμίσεων για περισσότερες πληροφορίες για τις συνδέσεις Internet.

## Εισαγωγή

Σας ευχαριστούμε που επιλέξατε αυτό το προϊόν της Sony. Προτού χρησιμοποιήσετε την τηλεόραση, διαβάστε προσεκτικά αυτό το εγχειρίδιο οδηγιών και φυλάξτε το για μελλοντική χρήση.

### Σημείωση

- Προτού θέσετε σε λειτουργία την τηλεόραση, διαβάστε την ενότητα "Πληροφορίες σχετικά με την ασφάλεια" (σελίδα 3).
- Για περισσότερες πληροφορίες σχετικά με την ασφάλεια, ανατρέξτε στην ενότητα "Πληροφορίες σχετικά με την ασφάλεια".
- Οι εικόνες και τα γραφικά που χρησιμοποιούνται στον Οδηγό εγκατάστασης και σε αυτό το εγχειρίδιο παρέχονται μόνο για λόγους αναφοράς και ενδέχεται να διαφέρουν από το πραγματικό προϊόν.
- Το σύμβολο "xx" που εμφανίζεται στο όνομα του μοντέλου αντιστοιχεί σε ένα αριθμητικό ψηφίο, που σχετίζεται με το σχέδιο, το χρώμα ή το σύστημα τηλεόρασης.

## Βοήθεια

Βρείτε περισσότερες οδηγίες για την αντιμετώπιση προβλημάτων και άλλες χρήσιμες πληροφορίες απευθείας στην τηλεόρασή σας. Πιέστε **HELP** στο τηλεχειριστήριο για να εμφανιστεί μια λίστα με θέματα, ή πραγματοποιήστε αναζήτηση με λέξη-κλειδί.

### Οδηγός βοήθειας (Εγχειρίδιο)

Για πιο λεπτομερείς πληροφορίες, επιλέξτε [Οδηγός βοήθειας] από το μενού Βοήθειας στην τηλεόρασή σας. Μπορείτε επίσης να δείτε τον Οδηγό βοήθειας στο PC ή το smartphone σας (πληροφορίες παρέχονται στο οπισθόφυλλο του εγχειριδίου).

## Θέση της αναγνωριστικής ετικέτας

Οι ετικέτες με τον Αριθμό μοντέλου, την Ημερομηνία παραγωγής (έτος/μήνας) και την Ονομαστική τιμή ισχύος βρίσκονται στο πίσω μέρος της τηλεόρασης ή του πακέτου.

## ΣΗΜΑΝΤΙΚΗ ΣΗΜΕΙΩΣΗ

### Σημείωση για τον ραδιοεξοπλισμό



Με την παρούσα η Sony Visual Products Inc., δηλώνει ότι οι τύποι ραδιοεξοπλισμού KD-85XG8596, KD-75XG8796, KD-75XG8599, KD-75XG8596, KD-75XG8588, KD-75XG8505, KD-65XG8796, KD-65XG8599, KD-65XG8596, KD-65XG8588, KD-65XG8577, KD-65XG8505, KD-55XG8796, KD-55XG8599, KD-55XG8596, KD-55XG8588, KD-55XG8577, KD-55XG8505 πληρούν τους όρους της οδηγίας 2014/53/ΕΕ. Το πλήρες κείμενο της δήλωσης συμμόρφωσης ΕΕ διατίθεται στην ακόλουθη ιστοσελίδα στο διαδίκτυο: <http://www.compliance.sony.de/>

Σημείωση για τους πελάτες: οι παρακάτω πληροφορίες αφορούν μόνο εξοπλισμό που πωλείται σε χώρες όπου ισχύουν οι οδηγίες της Ε.Ε.

Για τον συγκεκριμένο ραδιοεξοπλισμό, ισχύουν οι παρακάτω περιορισμοί λειτουργίας ή περιορισμοί άδειας χρήσης στις χώρες AT, BE, HR, CY, CZ, DK, EE, FI, FR, DE, EL, HU, IE, IT, LV, LT, LU, MT, NL, PL, PT, SK, SI, ES, SE, UK, IS, LI, NO, CH, BG, RO, TR, AL, BA, MK, MD, RS, ME, Κόσοβο :

η ζώνη 5.150 - 5.350 MHz περιορίζεται αποκλειστικά σε χρήση εσωτερικού χώρου.

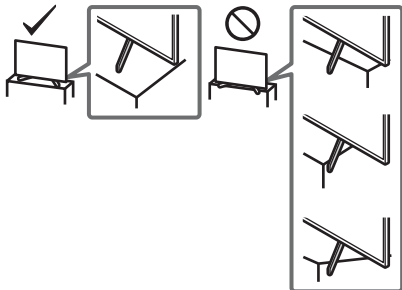
## Πληροφορίες σχετικά με την ασφάλεια

### Εγκατάσταση/Ρύθμιση

Προκειμένου να αποφύγετε τυχόν κινδύνους πυρκαγιάς, ηλεκτροπληξίας ή ζημιάς ή/και τραυματισμών, εγκαταστήστε και χρησιμοποιήστε την τηλεόραση σύμφωνα με τις παρακάτω οδηγίες.

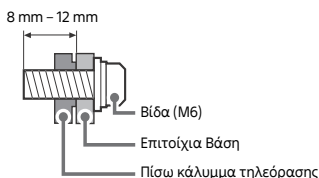
#### Εγκατάσταση

- Η τηλεόραση πρέπει να εγκατασταθεί κοντά σε παροχή ρεύματος εύκολα προσβάσιμη.
- Τοποθετήστε τη συσκευή της τηλεόρασης σε μια σταθερή, επίπεδη επιφάνεια, ώστε να αποφευχθεί η πτώση της και η πρόκληση ανθρώπινου τραυματισμού ή ζημιάς.
- Εγκαταστήστε την τηλεόραση σε ένα σημείο στο οποίο δεν θα κινδυνεύει να τραβηχτεί, να σπρωχθεί ή να ανατραπεί.
- Εγκαταστήστε την τηλεόραση έτσι ώστε η Βάση επιτραπέζιας τοποθέτησης να μην προεξέχει από τη βάση της τηλεόρασης (δεν παρέχεται). Εάν η Βάση επιτραπέζιας τοποθέτησης προεξέχει από τη βάση της τηλεόρασης, η τηλεόραση ενδέχεται να αναποδογυρίσει, να πέσει και να προκληθεί ανθρώπινος τραυματισμός ή βλάβη στην τηλεόραση.

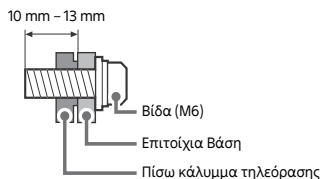


- Η εγκατάσταση στον τοίχο πρέπει να πραγματοποιείται μόνο από εξειδικευμένο προσωπικό.
- Για λόγους ασφαλείας, συστήνεται η χρήση των εξαρτημάτων της Sony, μεταξύ των οποίων περιλαμβάνονται:  
— Επιτοίχια Βάση SU-WL450
- Βεβαιωθείτε ότι χρησιμοποιείτε τις βίδες που παρέχονται με την Επιτοίχια βάση όταν τοποθετείτε την Επιτοίχια βάση στην τηλεόραση. Οι βίδες που παρέχονται έχουν σχεδιαστεί, έτσι ώστε να έχουν τις διαστάσεις που υποδεικνύονται στην εικόνα, όταν τις μετρήσουμε από την επιφάνεια στερέωσης της Επιτοίχιας βάσης.  
Η διάμετρος και το μήκος των βιδών διαφέρουν ανάλογα με το μοντέλο της Επιτοίχιας βάσης.  
Η χρήση διαφορετικών βιδών από αυτές που παρέχονται μπορεί να προκαλέσει εσωτερική ζημιά στην τηλεόραση ή μπορεί να πέσει, κλπ.

#### KD-85XG85xx



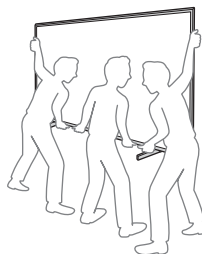
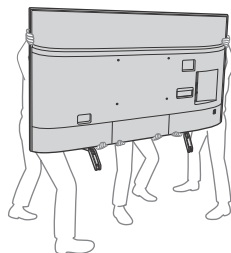
#### KD-75/65/55XG87xx, KD-75/65/55XG85xx



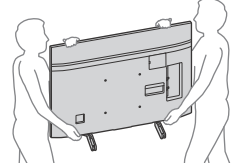
### Μεταφορά

- Πρωτό μεταφέρετε την τηλεόραση, αποσυνδέστε όλα τα καλώδια.
- Για τη μεταφορά μιας μεγάλης τηλεόρασης χρειάζονται δύο ή περισσότερα άτομα (τρία ή περισσότερα άτομα για την KD-85XG85xx).
- Όταν μεταφέρετε την τηλεόραση με τα χέρια, να την κρατάτε όπως υποδεικνύεται παρακάτω. Μην ασκείτε πίεση στην οθόνη LCD και στο πλαίσιο που περιβάλλει την οθόνη.
- Όταν σηκώνετε ή μετακινείτε την τηλεόραση, κρατάτε την γερά από το κάτω μέρος.

#### KD-85XG85xx



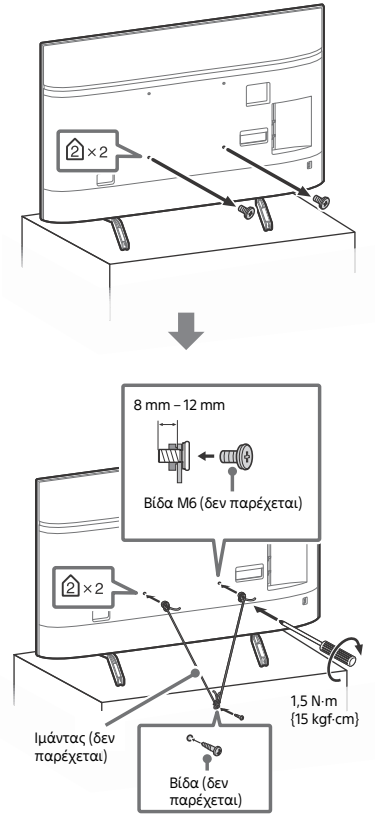
#### KD-75/65/55XG87xx, KD-75/65/55XG85xx



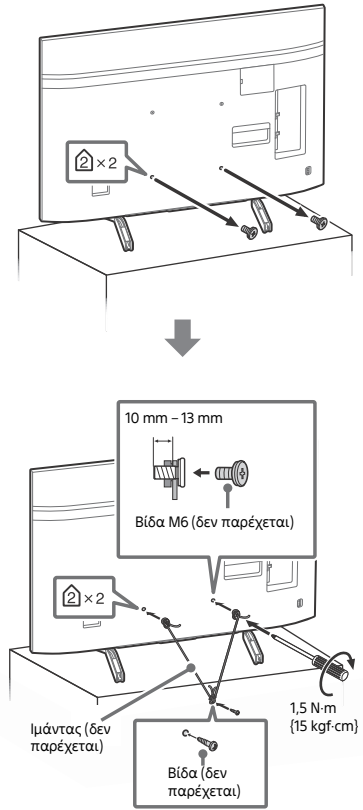
- Κατά τη μεταφορά, μην υποβάλλετε την τηλεόραση σε χτυπήματα ή υπερβολικούς κραδασμούς.
- Όταν μεταφέρετε την τηλεόραση για επισκευή ή όταν την μεταφέρετε σε άλλο χώρο, συσκευάστε την χρησιμοποιώντας το αρχικό χαρτόκουτο και τα υλικά συσκευασίας.

# Αποτροπή πτώσης

KD-85XG85xx



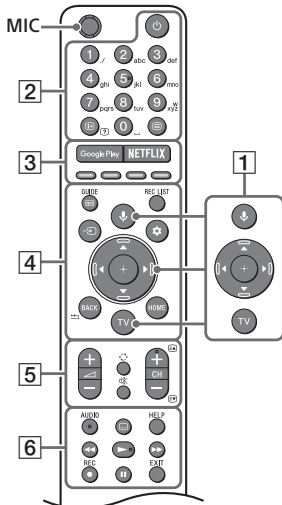
KD-75/65/55XG87xx, KD-75/65/55XG85xx





# Τηλεχειριστήριο και τηλεόραση

Το σχήμα, η θέση, η διαθεσιμότητα και η λειτουργία των κουμπιών του τηλεχειριστηρίου μπορεί να διαφέρουν ανάλογα με την περιοχή/τη χώρα/το μοντέλο της τηλεόρασης.



- 1** **🔊 (Μικρόφωνο):** Χρησιμοποιήστε την φωνητική αναζήτηση. (π.χ. Αναζητήστε περιεχόμενο με φωνητικές εντολές.)<sup>\*1</sup>  
**▲/▼/◀/▶/⊕ (Πλήκτρα κατεύθυνσης για πλοήγηση):** Πλοήγηση και επιλογή μενού στην οθόνη.  
**TV:** Μεταβείτε σε ένα τηλεοπτικό κανάλι ή είσοδο και εμφανίστε το μενού TV.

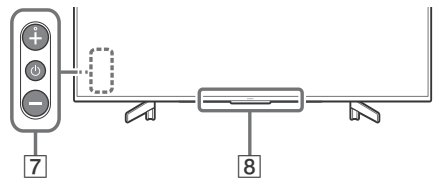
- 2** **🔌 (Τηλεόραση σε αναμονή)**  
**Αριθμητικά κουμπιά**  
**📺/? (Αποκάλυψη πληροφοριών/κειμένου):** Εμφανίστε πληροφορίες.  
**📺 (Κείμενο):** Εμφανίστε πληροφορίες κειμένου.

- 3** **Google Play**  
**NETFLIX (Μόνο σε περιορισμένες περιοχές/χώρες/μοντέλα τηλεόρασης)**  
**Χρωματιστά κουμπιά**

- 4** **GUIDE/📺:** Εμφανίστε τον ψηφιακό οδηγό προγράμματος ή το EPG του αποκωδικοποιητή καλωδιακής/δορυφορικής<sup>\*2</sup>.  
**REC LIST:** Εμφανίστε τη λίστα εγγραφής USB HDD ή DVR<sup>\*2</sup>.  
**➡ (Επιλογή εισόδου):** Εμφανίστε και επιλέξτε την πηγή εισόδου κ.λπ.  
**⚙️ (Γρήγορες ρυθμίσεις):** Εμφανίστε τις γρήγορες ρυθμίσεις.  
**BACK/⏪**  
**HOME**

- 5** **⏪/⏩ (Ένταση)**  
**🔄 (Μετάβαση)**  
**🔇 (Σίγαση)**  
**Συμβουλή**
- Η υπηρεσία συντόμευσης προσβασιμότητας ενεργοποιείται ή απενεργοποιείται κρατώντας πατημένο το 🔇.
- CH +/-/📺/📺**  
 Στη λειτουργία τηλεόρασης: Επιλέξτε το κανάλι.  
 Στη λειτουργία κειμένου: Επιλέξτε την επόμενη (📺) ή την προηγούμενη (📺) σελίδα.

- 6** **AUDIO:** Επιλέξτε ήχο από πηγή για πολλές γλώσσες ή διπλό ήχο (ανάλογα με την πηγή προγράμματος).  
**🗨️ (Ρύθμιση υποτίτλων)**  
**HELP:** Εμφανίστε το Μενού βοήθειας.  
**⏮️/⏭️/⏮️/⏭️**  
**● REC:** Εγγραψτε το τρέχον πρόγραμμα στο USB HDD ή DVR<sup>\*2</sup>.  
**EXIT**



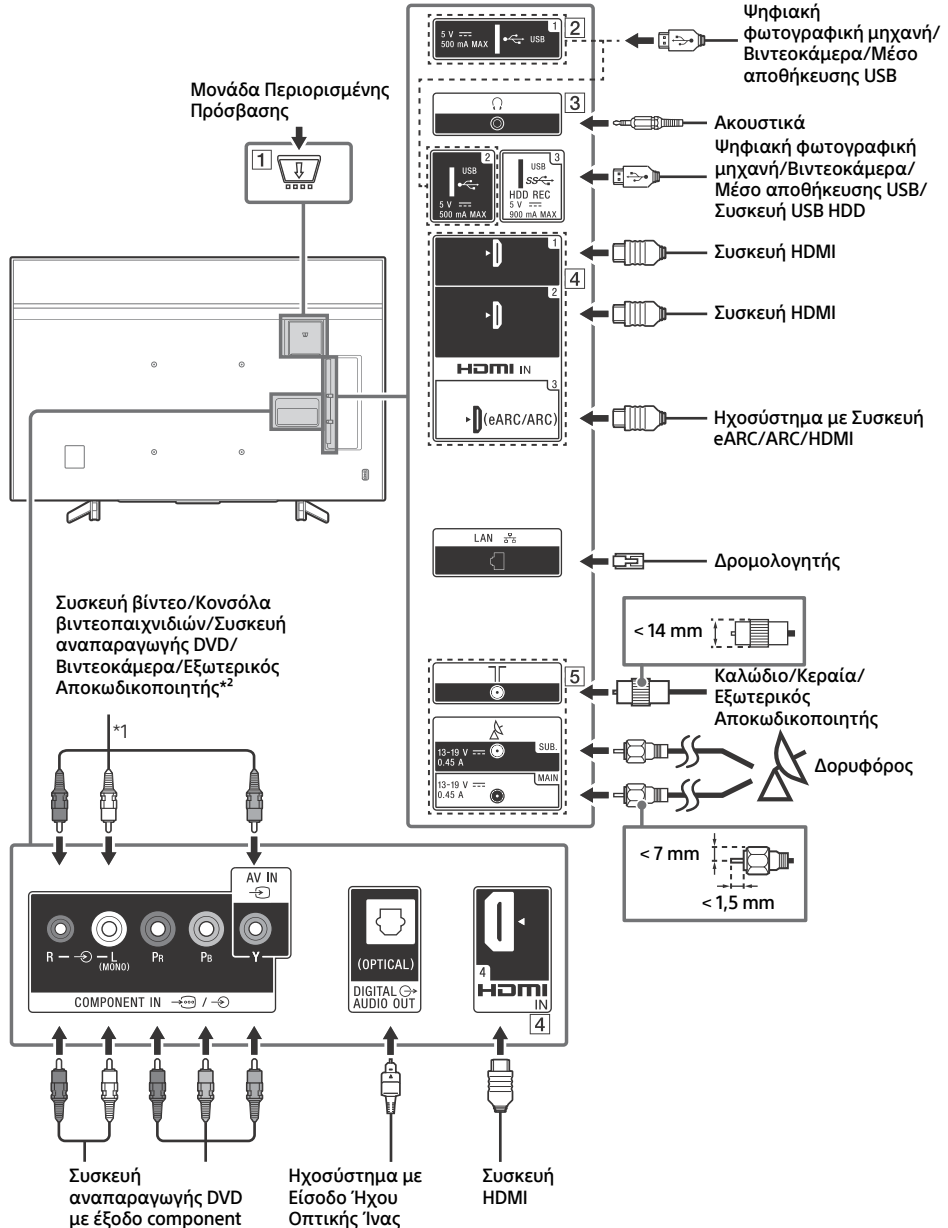
- 7** **🔌 (Λειτουργία)**  
**8** **Αισθητήρας Τηλεχειρισμού / Αισθητήρας φωτός / LED φωτισμού**

<sup>\*1</sup> Η φωνητική αναζήτηση απαιτεί σύνδεση στο Internet.

<sup>\*2</sup> Απαιτείται η ρύθμιση [Ρύθμιση καλωδιακού/δορυφορικού αποκωδικοποιητή] (μόνο σε περιορισμένες περιοχές/χώρες/μοντέλα τηλεόρασης). Για περισσότερες πληροφορίες, ανατρέξτε στον Οδηγό βοήθειας.

# Διάγραμμα συνδέσεων

Για περισσότερες πληροφορίες σχετικά με τις συνδέσεις, ανατρέξτε στον Οδηγό βοήθειας πιέζοντας το **HELP** στο τηλεχειριστήριο.



## 1 CAM (Μονάδα Περιορισμένης Πρόσβασης)

- Παρέχει πρόσβαση σε τηλεοπτικές υπηρεσίες επί πληρωμή. Για λεπτομέρειες, ανατρέξτε στο εγχειρίδιο οδηγιών που παρέχεται με τη μονάδα CAM.
- Μην τοποθετείτε την έξυπνη κάρτα απευθείας στην υποδοχή της μονάδας CAM της τηλεόρασης. Πρέπει να την τοποθετήσετε στη Μονάδα Περιορισμένης Πρόσβασης που θα σας παρασχεθεί από τον εξουσιοδοτημένο αντιπρόσωπο.
- Η μονάδα CAM δεν υποστηρίζεται σε όλες τις χώρες/περιοχές. Συμβουλευτείτε τον εξουσιοδοτημένο αντιπρόσωπο.
- Ενδέχεται να εμφανιστεί ένα μήνυμα CAM, όταν μεταβείτε σε ένα ψηφιακό πρόγραμμα μετά από τη χρήση του βίντεο στο Internet.

## 2 USB 1/2, USB 3 (HDD REC)\*3

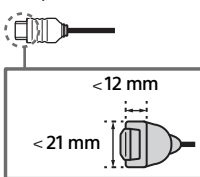
- Η σύνδεση μιας μεγάλης συσκευής USB μπορεί να δημιουργήσει παρεμβολές σε άλλες κοντινές συνδεδεμένες συσκευές.
- Αν συνδέσετε μια μεγάλη συσκευή USB, συνδέστε την στην υποδοχή USB 1.
- Συνδέστε μια συσκευή USB HDD στη θύρα USB 3 (μπλε).

## 3 (Ακουστικά)

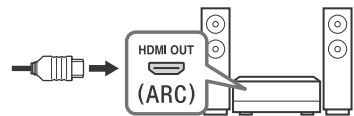
- Υποστηρίζει μόνο μίνι στερεοφωνικό τριπολικό βύσμα.
- Δεν μπορείτε να έχετε έξοδο ήχου ταυτόχρονα από τα ακουστικά και από τα ηχεία της τηλεόρασης.

## 4 HDMI IN 1/2/3/4

- Η διασύνδεση HDMI μπορεί να μεταφέρει ψηφιακό βίντεο και ήχο με ένα μόνο καλώδιο.



- Για να απολαύσετε περιεχόμενο υψηλής ποιότητας 4K 50p/60p, συνδέστε ένα καλώδιο HDMI Premium High Speed και ορίστε την επιλογή [Μορφή σήματος HDMI] σε [Βελτιωμένη μορφή]. Πραγματοποιήστε αυτή τη ρύθμιση ξεχωριστά για κάθε συνδεδεμένο ακροδέκτη HDMI IN. Για λεπτομέρειες σχετικά με τις υποστηριζόμενες μορφές, ανατρέξτε στην ενότητα "Τεχνικά χαρακτηριστικά" σε αυτό το εγχειρίδιο (σελίδα 11-12).
- **HDMI IN 3 eARC/Arc (Enhanced Audio Return Channel)**  
Συνδέστε το ηχοσύστημά σας στο HDMI IN 3 για να δρομολογήσετε τον ήχο της τηλεόρασης στο ηχοσύστημά σας. Τα ηχοσύστημα που υποστηρίζουν HDMI eARC/Arc μπορούν να στέλνουν βίντεο στην τηλεόραση και να λαμβάνουν ήχο από την τηλεόραση μέσω του ίδιου καλωδίου HDMI. Αν το ηχοσύστημά σας δεν υποστηρίζει HDMI eARC/Arc, απαιτείται πρόσθετη σύνδεση με DIGITAL AUDIO OUT (OPTICAL).
- Χρησιμοποιήστε το καλώδιο HDMI με Ethernet για να συνδέσετε το ηχοσύστημα με eARC.



## 5 TΓ (Είσοδος RF), (Δορυφορική είσοδος)

- Συνδέστε για επίγεια/καλωδιακή και δορυφορική τηλεόραση. Βήματα σύνδεσης: SUB. → MAIN → Κεραία
- Για την υποδοχή SUB, συνδέστε μόνο όταν χρησιμοποιείτε τη λειτουργία διπλού δέκτη εκτός από Διανομή μέσω ενός καλωδίου EN50494.

\*1 Όταν συνδέετε μονοφωνικό εξοπλισμό, συνδέστε τον στην υποδοχή ήχου L (MONO).

\*2 Για μια εξωτερική συσκευή η οποία διαθέτει μόνο SCART AV OUT, χρησιμοποιήστε έναν προσαρμογέα SCART-RCA.

\*3 Μόνο σε περιορισμένες περιοχές/χώρες/μοντέλα τηλεόρασης.

# Εγκατάσταση της τηλεόρασης στον τοίχο

## Χρήση της προαιρετικής Επιτοίχιας Βάσης

Το εγχειρίδιο οδηγιών αυτής της τηλεόρασης παρουσιάζει μόνο τα βήματα για την προετοιμασία της τηλεόρασης για Επιτοίχια εγκατάσταση πριν από την εγκατάστασή της στον τοίχο.

### Προς τους πελάτες:

Για λόγους προστασίας και ασφάλειας του προϊόντος, η Sony συνιστά ένθερμα η εγκατάσταση της τηλεόρασής σας να πραγματοποιείται από αντιπροσώπους της Sony ή εξουσιοδοτημένους τεχνικούς. Μην επιχειρήσετε να την εγκαταστήσετε μόνοι σας.

### Προς τους αντιπροσώπους της Sony και τους τεχνικούς:

Δώστε μεγάλη προσοχή στην ασφάλεια κατά την εγκατάσταση, την περιοδική συντήρηση και τον έλεγχο του προϊόντος αυτού.

Απαιτείται επαρκής εμπειρία για την εγκατάσταση του προϊόντος αυτού και ειδικότερα για να προσδιοριστεί η αντοχή του τοίχου που θα συγκρατεί το βάρος της τηλεόρασης. Αναθέστε την τοποθέτηση του προϊόντος αυτού στον τοίχο σε αντιπροσώπους της Sony ή σε εξουσιοδοτημένους τεχνικούς και δείξτε την απαραίτητη προσοχή στα θέματα ασφάλειας κατά την εγκατάσταση. Η Sony δεν αναλαμβάνει καμία ευθύνη για τυχόν ζημιά ή τραυματισμό που ενδέχεται να προκληθεί από λανθασμένους χειρισμούς ή ακατάλληλη εγκατάσταση.

Χρησιμοποιήστε την Επιτοίχια Βάση SU-WL450 (δεν παρέχεται) για να εγκαταστήσετε την τηλεόραση στον τοίχο.

Κατά την εγκατάσταση της Επιτοίχιας βάσης, συμβουλευτείτε επίσης τις Οδηγίες λειτουργίας και τον Οδηγό εγκατάστασης που συνοδεύουν την Επιτοίχια βάση.

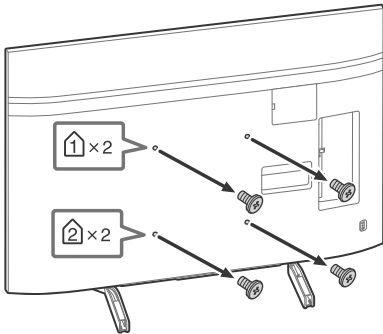
### Σημείωση

- Αποθηκεύστε τις βίδες που αφαιρέσατε σε ένα ασφαλές μέρος και φυλάξτε τις μακριά από παιδιά.



Για οδηγίες σχετικά με την εγκατάσταση της Επιτοίχιας Βάσης, ανατρέξτε στις Πληροφορίες Εγκατάστασης (Επιτοίχια Βάση) στη σελίδα προϊόντος για το μοντέλο της τηλεόρασής σας.  
[www.sony.eu/support/](http://www.sony.eu/support/)

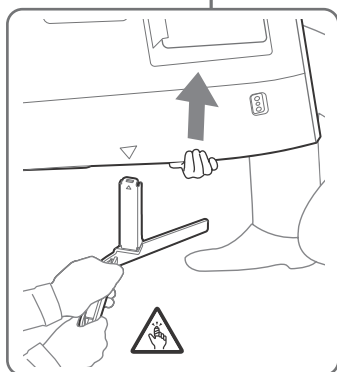
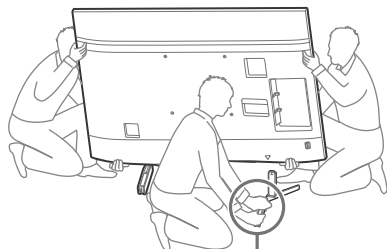
## Αφαιρέστε τις βίδες από το πίσω μέρος της τηλεόρασης.



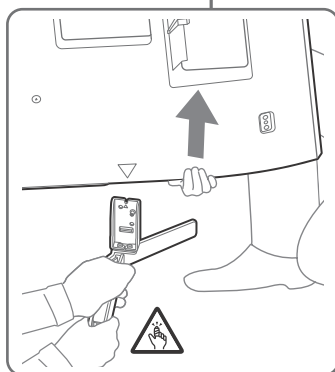
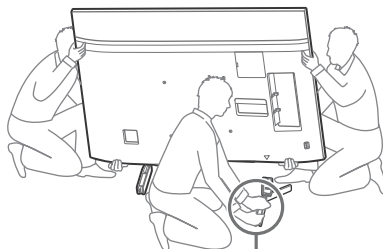
## Αφαίρεση της Βάσης επιτραπέζιας τοποθέτησης από την τηλεόραση

- 1** Αφαιρέστε μία-μία τις πλευρές της βάσης επιτραπέζιας τοποθέτησης. Κρατήστε σταθερά και με ασφάλεια τη βάση επιτραπέζιας τοποθέτησης και με τα δύο χέρια ενώ κάποιος άλλοι ανασηκώνουν την τηλεόραση.

KD-85XG85xx



KD-75/65/55XG87xx, KD-75/65/55XG85xx



- 2** Επαναλάβετε το προηγούμενο βήμα και αφαιρέστε την άλλη πλευρά της βάσης επιτραπέζιας τοποθέτησης.

### Σημείωση

- Για την αφαίρεση της Βάσης επιτραπέζιας τοποθέτησης απαιτούνται τρία ή περισσότερα άτομα.
- Προσέξτε να μην ασκήσετε υπερβολική δύναμη κατά την αφαίρεση της Βάσης επιτραπέζιας τοποθέτησης από την τηλεόραση καθώς μπορεί να προκληθεί πτώση της τηλεόρασης και, κατά συνέπεια, τραυματισμός ή ζημιά στην τηλεόραση.
- Προσέχετε κατά τον χειρισμό της Βάσης επιτραπέζιας τοποθέτησης για την αποφυγή πρόκληση ζημιάς στην τηλεόραση.
- Προσέχετε όταν σηκώνετε την τηλεόραση καθώς, επειδή έχει αφαιρεθεί η Βάση επιτραπέζιας τοποθέτησης, η Βάση μπορεί να πέσει και να προκληθεί τραυματισμός.
- Προσέχετε όταν αφαιρείτε τη Βάση επιτραπέζιας τοποθέτησης από την τηλεόραση ώστε να μην πέσει και προκαλέσει ζημιά στην επιφάνεια όπου στέκεται η τηλεόραση.

## Αντιμετώπιση προβλημάτων

Για τη γενική αντιμετώπιση προβλημάτων για θέματα όπως: μαύρη οθόνη, δεν υπάρχει ήχος, παγωμένη εικόνα, η τηλεόραση δεν ανταποκρίνεται, ή δεν υπάρχει δίκτυο, ακολουθήστε τα παρακάτω βήματα.

- 1 Επανεκκινήστε την τηλεόρασή σας πιέζοντας το κουμπί λειτουργίας στο τηλεχειριστήριο μέχρι να εμφανιστεί ένα μήνυμα. Η τηλεόραση θα κάνει επανεκκίνηση. Αν δεν επανέλθει η τηλεόραση σε κανονική λειτουργία, δοκιμάστε να αποσυνδέσετε το καλώδιο ρεύματος. Ύστερα πατήστε το κουμπί λειτουργίας στην τηλεόραση, περιμένετε δύο λεπτά και συνδέστε το καλώδιο ρεύματος.
- 2 Ανατρέξτε στο μενού Βοήθειας πιέζοντας το **HELP** στο τηλεχειριστήριο.
- 3 Συνδέστε την τηλεόρασή σας στο Internet και εκτελέστε αναβάθμιση λογισμικού. Η Sony συνιστά να διατηρείτε το λογισμικό της τηλεόρασής σας ενημερωμένο. Οι ενημερώσεις λογισμικού παρέχουν νέα χαρακτηριστικά και βελτιώσεις στην απόδοση.
- 4 Επισκεφτείτε την τοποθεσία web υποστήριξης της Sony (παρέχονται πληροφορίες στο εξώφυλλο του εγχειριδίου).

**Όταν συνδέσετε την τηλεόραση, η τηλεόραση ενδεχομένως να μην ανοίγει αμέσως, ακόμα κι αν πατήσετε το κουμπί λειτουργίας στο τηλεχειριστήριο ή στην τηλεόραση.**

Χρειάζεται κάποιος χρόνος για την προετοιμασία του συστήματος. Περιμένετε ένα λεπτό περίπου και, κατόπιν θέστε τη ξανά σε λειτουργία.

## Προβλήματα και λύσεις

**Όταν η LED φωτισμού αναβοσβήνει με κόκκινο χρώμα.**

- Μετρήστε πόσες φορές αναβοσβήνει (ο χρόνος μεταξύ κάθε διαλείμματος είναι τρία δευτερόλεπτα).

Πραγματοποιήστε επανεκκίνηση της τηλεόρασης αποσυνδέοντας το καλώδιο τροφοδοσίας μέχρι η LED φωτισμού να σταματήσει να αναβοσβήνει με κόκκινο χρώμα και, στη συνέχεια, ενεργοποιήστε την τηλεόραση.

Αν το πρόβλημα παραμένει, αποσυνδέστε το καλώδιο τροφοδοσίας και επικοινωνήστε με τον αντιπρόσωπό σας ή το κέντρο τεχνικής υποστήριξης της Sony και αναφέρετε πόσες φορές αναβοσβήνει η LED φωτισμού.

**Δεν πραγματοποιείται λήψη υπηρεσιών επίγειας/καλωδιακής τηλεόρασης.**

- Ελέγξτε τη σύνδεση της κεραίας/του καλωδίου και τις ρυθμίσεις του ενισχυτή.
- Επιλέξτε υπηρεσία επίγειας/καλωδιακής τηλεόρασης πατώντας **TV** στο τηλεχειριστήριο και ύστερα επιλέξτε [Ψηφιακό] αν δεν εμφανίζεται η υπηρεσία μετάδοσης.
- Το επίγειο σήμα ενδέχεται να παρεμβάλλεται αν υπάρχει κάποιο ισχυρό σήμα κοντά. Ορίστε την επιλογή [LNA (KAN ---)] στη θέση [Όχι] στις ρυθμίσεις ψηφιακού συντονισμού.
- Αν μετακομίσετε σε νέα οικία ή αν προσπαθείτε να κάνετε λήψη νέων υπηρεσιών, επιχειρήστε μια αναζήτηση υπηρεσιών επιλέγοντας [Ψηφιακός Συντονισμός].

**Δεν πραγματοποιείται λήψη υπηρεσιών δορυφορικής τηλεόρασης.**

- Ελέγξτε τη σύνδεση του δορυφορικού καλωδίου.
- Όταν εμφανίζεται το μήνυμα [Απουσία σήματος. Υπερφόρτωση του LNB...], αποσυνδέστε το καλώδιο τροφοδοσίας. Κατόπιν βεβαιωθείτε ότι το δορυφορικό καλώδιο δεν έχει υποστεί ζημιά και ότι δεν υπάρχει βραχυκύκλωμα στη γραμμή δορυφορικού σήματος στον δορυφορικό σύνδεσμο.

**Το τηλεχειριστήριο δεν λειτουργεί.**

- Αλλάξτε τις μπαταρίες.

**Έχετε ξεχάσει τον κωδικό πρόσβασης γενικού κλειδώματος για μετάδοση.**

- Πληκτρολογήστε τον αριθμό 9999 ως κωδικό PIN και επιλέξτε [Αλλαγή Κωδικού PIN].

## Το περιβάλλον τμήμα της τηλεόρασης θερμαίνεται.

- Όταν η τηλεόραση χρησιμοποιείται για μεγάλο χρονικό διάστημα, το περιβάλλον τμήμα της τηλεόρασης θερμαίνεται. Μπορεί να αισθανθείτε τη θερμότητα εάν αγγίξετε τη συγκεκριμένη περιοχή με τα χέρια σας.

## Τεχνικά χαρακτηριστικά

### Σύστημα

Σύστημα οθόνης  
Οθόνη LCD (Οθόνη υγρών κρυστάλλων), Οπίσθιος φωτισμός LED

Τηλεοπτικό σύστημα μετάδοσης  
Ανάλογα με την επιλογή χώρας/περιοχής/μοντέλου τηλεόρασης  
Αναλογικό: B/G, D/K, I  
Ψηφιακό: DVB-T/DVB-C  
DVB-T2\*1

Δορυφορικό\*1: DVB-S/DVB-S2

Σύστημα χρωμάτων  
PAL/SECAM/NTSC3.58 (Μόνο εικόνα)/NTSC4.43 (Μόνο εικόνα)

Κάλυψη καναλιών  
Ανάλογα με την επιλογή χώρας/περιοχής/μοντέλου τηλεόρασης  
Αναλογικό: UHF/VHF/Καλωδιακή  
Ψηφιακό: UHF/VHF/Καλωδιακή  
Δορυφορικό\*1: Ενδιάμεση συχνότητα (IF) 950-2.150 MHz

Έξοδος Ήχου  
10 W + 10 W

Ασύρματη τεχνολογία  
Πρωτόκολλο IEEE802.11ac/a/b/g/n  
(Το πρωτόκολλο IEEE802.11ac ενδέχεται να μην είναι διαθέσιμο ανάλογα με τη χώρα/την περιοχή.)  
Bluetooth έκδοση 4.2

Ζώνη συχνότητων

Ασύρματο LAN (IEEE802.11ac/a/b/g/n)	
Περιοχή συχνότητων	Ισχύς εξόδου
2.400-2.483,5 MHz	< 20,0 dBm
5.150-5.250 MHz	< 23,0 dBm
5.250-5.350 MHz	< 20,0 dBm
5.470-5.725 MHz	< 20,0 dBm
5.725-5.850 MHz	< 13,9 dBm

Bluetooth	
Περιοχή συχνότητων	Ισχύς εξόδου
2.400-2.483,5 MHz	< 10,0 dBm

RMF-TX600E/TX500E

Bluetooth	
Περιοχή συχνότητων	Ισχύς εξόδου
2.400-2.483,5 MHz	< 10,0 dBm

Έκδοση λογισμικού

Αυτός ο ραδιοεπιτισμός προορίζεται για χρήση με τις ενγκεκριμένες εκδόσεις του λογισμικού που αναφέρονται στη Δήλωση Συμμόρφωσης EE.

Πιέστε **HELP** στο τηλεχειριστήριο για να δείτε την έκδοση λογισμικού.

Τηλεχειριστήριο: .....  
Επιλέξτε [Τηλεχειριστήριο] → [Έκδοση λογισμικού] από το μενού [Ρυθμίσεις]. Για περισσότερες πληροφορίες, ανατρέξτε στον Οδηγό βοήθειας.

Το λογισμικό που παρέχεται με αυτόν τον ραδιοεπιτισμό συμμορφώνεται με τις ουσιαστικές απαιτήσεις της Οδηγίας 2014/53/ΕΕ.

### Υποδοχές εισόδου/εξόδου

Κεραία/καλωδιακή  
Εξωτερικός ακροδέκτης 75 ohm για VHF/UHF

Δορυφορική κεραία\*1

Θηλυκό βύσμα τύπου F, 75 ohm.

DiSEqC 1.0, LNB 13 V/18 V & τόνος 22 kHz, Διανομή μέσω ενός καλωδίου EN50494.

COMPONENT IN

ΥΡΡ\* (Βίντεο Component): 1080p (50, 60 Hz), 1080i (50, 60 Hz), 720p (50, 60 Hz), 576p, 576i, 480p, 480i

Είσοδος ήχου (υποδοχές RCA)

AV IN

Είσοδος εικόνας (τυπικός ακροδέκτης RCA με υποδοχή Y)

HDMI IN 1/2/3/4 (υποστηρίζει ανάλυση 4K, συμβατό με HDCP 2.3)

Βίντεο:

4096 × 2160p (50, 60 Hz)\*2+3, 4096 × 2160p (24 Hz)\*2, 3840 × 2160p (50, 60 Hz)\*3, 3840 × 2160p (24, 25, 30 Hz), 1080p (30, 50, 60 Hz), 1080/24p, 1080i (50, 60 Hz), 720p (30, 50, 60 Hz), 720/24p, 576p, 480p, PC Μορφές υπολογιστή\*4

Ήχος:

Στη λειτουργία eARC (Enhanced Audio Return Channel)\*5

Ανατρέξτε στον Οδηγό βοήθειας για λεπτομέρειες.

Εξαιρείται η λειτουργία eARC

Γραμμικό PCM 5.1 καναλιών: 32/44,1/48/88,2/96/176,4/

192 kHz 16/20/24 bit, Dolby Digital, Dolby Digital Plus, DTS

eARC/ARC (Enhanced Audio Return Channel/Audio Return Channel) (μόνο για HDMI IN 3)

Στη λειτουργία eARC\*5

Ανατρέξτε στον Οδηγό βοήθειας για λεπτομέρειες.

Στη λειτουργία ARC

Γραμμικό PCM δύο καναλιών: 48 kHz 16 bit, Dolby Digital, Dolby Digital Plus, DTS

DIGITAL AUDIO OUT (OPTICAL)

Οπτική ψηφιακή υποδοχή (Γραμμικό PCM δύο καναλιών:

48 kHz 16 bit, Dolby Digital, DTS)

(Μίνι στερεοφωνική υποδοχή)

Ακουστικά

1, 2, 3 (HDD REC)\*6

Θύρα συσκευής USB (SS\*3 για συσκευή USB HDD για τη λειτουργία ΕΓΓΡΑΦΗΣ)

Οι θύρες USB 1 και 2 υποστηρίζουν High Speed USB (USB 2.0)

Η θύρα USB 3 υποστηρίζει Super Speed USB (USB 3.1 Gen 1)

W

Υποδοχή CAM (Μονάδα Περιορισμένης Πρόσβασης)

LAN

Συνδεσμός 10BASE-T/100BASE-TX (Η ταχύτητα σύνδεσης ενδέχεται να διαφέρει, ανάλογα με το περιβάλλον λειτουργίας του δικτύου. Η ταχύτητα και η ποιότητα επικοινωνίας δεν είναι εγγυημένες.)

### Άλλα

Προαιρετικά εξαρτήματα

Επιτοίχια Βάση: SU-WL450

Θερμοκρασία λειτουργίας

0 °C - 40 °C

Υγρασία λειτουργίας

10 % - 80 % σχετική υγρασία (χωρίς συμπύκνωση)

### Ισχύς, Δελτίο Προϊόντος και άλλα

Απαιτήσεις τροφοδοσίας

220 V - 240 V AC, 50 Hz

## Κλάση ενεργειακής απόδοσης

KD-85XG85xx: A  
KD-75XG87xx / KD-75XG85xx: A+  
KD-65XG87xx / KD-65XG85xx: A  
KD-55XG87xx / KD-55XG85xx: A

## Μέγεθος οθόνης (διαγωνίως) (Περίπου)

KD-85XG85xx: 214,8 cm / 85 ίντσες  
KD-75XG87xx / KD-75XG85xx: 189,3 cm / 75 ίντσες  
KD-65XG87xx / KD-65XG85xx: 163,9 cm / 65 ίντσες  
KD-55XG87xx / KD-55XG85xx: 138,8 cm / 55 ίντσες

## Κατανάλωση ισχύος

### Στη Λειτουργία [Κανονικό]

KD-85XG85xx: 216 W  
KD-75XG87xx / KD-75XG85xx: 158 W  
KD-65XG87xx / KD-65XG85xx: 127 W  
KD-55XG87xx / KD-55XG85xx: 111 W

### Στη Λειτουργία [Ζωηρή]

KD-85XG8596: 362 W  
KD-75XG8796: 275 W  
KD-75XG8599: 275 W  
KD-75XG8596: 275 W  
KD-75XG8588: 275 W  
KD-75XG8505: 275 W  
KD-65XG8796: 221 W  
KD-65XG8599: 221 W  
KD-65XG8596: 221 W  
KD-65XG8588: 221 W  
KD-65XG8577: 221 W  
KD-65XG8505: 221 W  
KD-55XG8796: 186 W  
KD-55XG8599: 186 W  
KD-55XG8596: 186 W  
KD-55XG8588: 186 W  
KD-55XG8577: 186 W  
KD-55XG8505: 186 W

## Ετήσια κατανάλωση ενέργειας<sup>7</sup>

KD-85XG85xx: 300 kWh ανά έτος  
KD-75XG87xx / KD-75XG85xx: 219 kWh ανά έτος  
KD-65XG87xx / KD-65XG85xx: 176 kWh ανά έτος  
KD-55XG87xx / KD-55XG85xx: 154 kWh ανά έτος

## Κατανάλωση ενέργειας σε κατάσταση αναμονής<sup>8+9</sup>

0,50 W (25 W στη Λειτουργία ενήμερωσης λογισμικού/EPG)

## Ανάλυση οθόνης

3.840 Dots (οριζόντια) × 2.160 γραμμές (κατακόρυφη)

## Ονομαστική έξοδος

USB 1/2  
5 V ---, 500 mA, μέγιστη  
USB 3  
5 V ---, 900 mA, μέγιστη

## Διαστάσεις (Περίπου) (π × υ × β)

### με βάση επιτραπέζιας τοποθέτησης

KD-85XG85xx: 190,9 × 117,5 × 43,3 cm  
KD-75XG87xx / KD-75XG85xx: 167,3 × 103,1 × 35,8 cm  
KD-65XG87xx / KD-65XG85xx: 145,0 × 89,9 × 31,6 cm  
KD-55XG87xx / KD-55XG85xx: 123,1 × 77,6 × 31,6 cm

### χωρίς βάση επιτραπέζιας τοποθέτησης

KD-85XG85xx: 190,9 × 109,7 × 8,0 cm  
KD-75XG87xx / KD-75XG85xx: 167,3 × 96,3 × 5,4 cm  
KD-65XG87xx / KD-65XG85xx: 145,0 × 83,6 × 5,2 cm  
KD-55XG87xx / KD-55XG85xx: 123,1 × 71,3 × 5,2 cm

## Βάρος (Περίπου)

### με βάση επιτραπέζιας τοποθέτησης

KD-85XG85xx: 49 kg  
KD-75XG87xx / KD-75XG85xx: 39,3 kg  
KD-65XG87xx / KD-65XG85xx: 26,3 kg  
KD-55XG87xx / KD-55XG85xx: 19,7 kg

### χωρίς βάση επιτραπέζιας τοποθέτησης

KD-85XG85xx: 46,5 kg  
KD-75XG87xx / KD-75XG85xx: 37,8 kg  
KD-65XG87xx / KD-65XG85xx: 25,3 kg  
KD-55XG87xx / KD-55XG85xx: 18,7 kg

- <sup>1</sup> Δεν διαθέτουν όλες οι τηλεοράσεις τεχνολογία DVB-T2 ή DVB-S/S2 ή ακροδέκτη δορυφορικής κεραίας.
- <sup>2</sup> Όταν η είσοδος είναι 4096 × 2160r και η επιλογή [Λειτουργία ευρείας οθόνης] έχει οριστεί σε [Κανονικό], η ανάλυση προβάλλεται ως 3840 × 2160r. Για να προβληθεί ως 4096 × 2160r, ορίστε τη ρύθμιση [Λειτουργία ευρείας οθόνης] σε [Πλήρες 1] ή [Πλήρες 2].
- <sup>3</sup> Για την υποστήριξη 18 Gbps, ορίστε τη ρύθμιση [Μορφή σήματος HDMI] σε [Βελτισμένη μορφή].
- <sup>4</sup> Ανατρέξτε στον Οδηγό Βοήθειας για λεπτομέρειες.
- <sup>5</sup> Η λειτουργία eARC είναι ενεργή όταν η επιλογή [Λειτουργία eARC] είναι ρυθμισμένη σε [Αυτόμ.], η επιλογή [Ηχεία] είναι ρυθμισμένη σε [Χησστήματα] και είναι συνδεδεμένο ηχοσύστημα συμβατό με eARC.
- <sup>6</sup> Μόνο σε περιορισμένες περιοχές/χώρες/μοντέλα τηλεόρασης.
- <sup>7</sup> Κατανάλωση ενέργειας σε kWh ανά έτος, με βάση την κατανάλωση ισχύος της τηλεόρασης σε ημερήσια 4 ωρη λειτουργία επί 365 ημέρες. Η πραγματική κατανάλωση ενέργειας εξαρτάται από τον τρόπο χρήσης της τηλεόρασης.
- <sup>8</sup> Η συγκεκριμένη κατανάλωση ενέργειας σε αναμονή επιτυγχάνεται αφού η τηλεόραση ολοκληρώσει τις απαραίτητες εσωτερικές διαδικασίες.
- <sup>9</sup> Η κατανάλωση ενέργειας σε κατάσταση αναμονής αυξάνεται, όταν η τηλεόραση είναι συνδεδεμένη στο δίκτυο.

## Σημείωση

- Μην αφαιρέσετε το ομοίωμα κάρτας ή το κάλυμμα (η διαθεσιμότητα εξαρτάται από το μοντέλο της τηλεόρασης) από την υποδοχή CAM (Μονάδα Περιορισμένης Πρόσβασης) της τηλεόρασης εκτός εάν πρόκειται να τοποθετήσετε μια έξυπνη κάρτα που ταιριάζει στην υποδοχή CAM.
- Η διαθεσιμότητα των προαιρετικών εξαρτημάτων εξαρτάται από τη χώρα/την περιοχή/το μοντέλο της τηλεόρασης/το απόθεμα.
- Ο σχεδιασμός και τα τεχνικά χαρακτηριστικά υπόκεινται σε αλλαγή χωρίς προειδοποίηση.

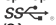
## Σημειώσεις για τη λειτουργία Ψηφιακής τηλεόρασης

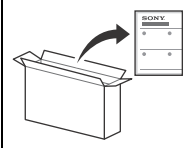
- Η ψηφιακή τηλεόραση (επίγεια, δορυφορική και καλωδιακή τηλεόραση DVB), οι αλληλεπιδραστικές υπηρεσίες και οι λειτουργίες δικτύου ενδέχεται να μην είναι διαθέσιμες σε όλες τις χώρες ή περιοχές. Ορισμένες λειτουργίες ενδέχεται να μην είναι ενεργοποιημένες ή να μη λειτουργούν σωστά με ορισμένους παροχείς και περιβάλλοντα δικτύου. Ορισμένοι παροχείς υπηρεσιών τηλεόρασης ενδέχεται να χρεώνουν πρόσθετη αμοιβή για τις υπηρεσίες τους.
- Η τηλεόραση αυτή υποστηρίζει ψηφιακή μετάδοση χρησιμοποιώντας κωδικοποιητές MPEG-2, H.264/MPEG-4 AVC και H.265/HEVC, αλλά η συμβατότητα με τα σήματα των παρόχων/υπηρεσιών, που μπορεί να αλλάξουν με το πέρασμα του χρόνου, δεν είναι εγγυημένη.

## Πληροφορίες για το εμπορικό σήμα

- Οι όροι HDMI και HDMI High-Definition Multimedia Interface, καθώς και το λογότυπο HDMI είναι εμπορικά σήματα ή σήματα κατατεθέντα της HDMI Licensing Administrator, Inc. στις Ηνωμένες Πολιτείες και σε άλλες χώρες.
- Το Dolby, Dolby Vision, Dolby Audio και το σύμβολο διπλού D αποτελούν εμπορικά σήματα της Dolby Laboratories. Δημιουργήθηκε με άδεια από την Dolby Laboratories. Απόρρητα μη δημοσιοποιημένα έργα. Copyright © 1992-2015 Dolby Laboratories. Με την επιφύλαξη παντός δικαιώματος.
- Η ονομασία "BRAVIA", το λογότυπο BRAVIA και η ονομασία BRAVIA Sync είναι εμπορικά σήματα ή σήματα κατατεθέντα της Sony Corporation.
- Η ονομασία Gracenote, το λογότυπο και η μορφή του λογότυπου Gracenote καθώς και το λογότυπο "Powered by Gracenote" είναι σήματα κατατεθέντα ή εμπορικά σήματα της Gracenote, Inc. στις Ηνωμένες Πολιτείες ή/και σε άλλες χώρες.
- Vewd® Core. Copyright 1995-2019 Vewd Software AS. All rights reserved.
- Η ονομασία Google, Google Play, Chromecast, YouTube, Android TV και άλλα σχετικά σήματα και λογότυπα αποτελούν εμπορικά σήματα της Google LLC.
- Οι ονομασίες Wi-Fi®, Wi-Fi Alliance® και Wi-Fi Direct® είναι σήματα κατατεθέντα της Wi-Fi Alliance.



- Το Λογότυπο Wi-Fi CERTIFIED™ είναι σήμα πιστοποίησης της Wi-Fi Alliance.
- Για τις ευρεσιτεχνίες DTS, ανατρέξτε στην τοποθεσία <http://patents.dts.com>. Κατασκευάζεται κατόπιν άδειας από την DTS, Inc. Η ονομασία DTS, το σύμβολο και η ονομασία DTS σε συνδυασμό με το σύμβολο είναι σήματα κατατεθέντα και η ονομασία DTS Digital Surround είναι εμπορικό σήμα της DTS, Inc. © DTS, Inc. Με την επιφύλαξη παντός δικαιώματος.
- Το λεκτικό σήμα και τα λογότυπα Bluetooth® είναι σήματα κατατεθέντα και ανήκουν στην Bluetooth SIG, Inc. και οποιαδήποτε χρήση αυτών των σημάτων από την Sony Corporation γίνεται κατόπιν παραχώρησης άδειας χρήσης. Τα άλλα εμπορικά σήματα και οι εμπορικές ονομασίες ανήκουν στους αντίστοιχους κατόχους τους.
- Η ονομασία Netflix είναι σήμα κατατεθέν της Netflix, Inc.
- Η ονομασία DiSEqC™ είναι εμπορικό σήμα της EUTELSAT. Αυτή η τηλεόραση υποστηρίζει το πρωτόκολλο DiSEqC 1.0. Αυτή η τηλεόραση δεν προορίζεται για χειρισμό μηχανοκίνητων κεραίων.
- Η ονομασία TUXERA είναι σήμα κατατεθέν της Tuxera Inc. στις Η.Π.Α και σε άλλες χώρες.
- Το λογότυπο USB με την τριάντα "USB-IF SuperSpeed" είναι εμπορικό σήμα κατατεθέν της USB Implementers Forum, Inc. 
- Όλα τα υπόλοιπα εμπορικά σήματα είναι ιδιοκτησία των αντίστοιχων κατόχων τους.



Masa Üstü Sehpasına  
takmak için Kurulum  
Kılavuzuna bakın.

## İçindekiler

ÖNEMLİ NOT	2
Güvenlik Bilgileri	3
Uzaktan Kumanda ve Televizyon	5
Bağlantı Şeması	6
Televizyonu duvara monte etme	8
Opsiyonel Duvara Askı aparatını kullanma	8
Masa Üstü Sehpanın televizyondan ayrılması	9
Sorun Giderme	10
Sorunlar ve Çözümleri	10
Spesifikasyonlar	10

### İnternet Bağlantısı ve Veri Gizliliği

Bu ürün, ilk kurulum esnasında internet bağlantısını onaylamak ve daha sonra Ana ekranı yapılandırmak için bir ağ bağlantısı kurulur kurulmaz internete bağlanır. IP adresiniz, bunlarda ve bütün diğer internet bağlantılarında kullanılır. IP adresinizin hiç kullanılmamasını istemiyorsanız, kablosuz internet fonksiyonunu kurmayın ve bir internet kablosu bağlamayın. İnternet bağlantıları hakkında daha fazla bilgi için lütfen kurulum ekranlarında verilen gizlilik bilgilerine bakın.

## Giriş

Bu Sony ürününü seçtiğiniz için teşekkür ederiz. Televizyonu çalıştırmadan önce, lütfen bu kullanım talimatı kitapçığını iyice okuyunuz ve de ileride kullanmak üzere saklayınız.

### Not

- Televizyonu çalıştırmadan önce lütfen okuyun: "Güvenlik Bilgileri" (sayfa 3).
- Ek güvenlik bilgileri için birlikte verilen Güvenlik Bilgilerini okuyun.
- Kurulum Kılavuzu'nda ve kılavuzda kullanılan resimler ve çizimler yalnızca başvuru amaçlıdır ve gerçek üründen farklı olabilir.
- Model adındaki "xx", tasarım, renk veya televizyon sistemi farkı ile ilgili bir rakama karşılık gelmektedir.

## Yardım

Doğrudan televizyonunuzdan daha fazla sorun giderme bilgisi ve diğer yararlı bilgileri bulabilirsiniz. Konu listesi görüntülemek veya anahtar sözcükle arama yapmak için uzaktan kumanda üzerinde **HELP** düğmesine basın.

### Yardım Kılavuzu (Kılavuz)

Daha ayrıntılı bilgi için televizyonunuzdaki Yardım menüsünden [Yardım Kılavuzu] öğesini seçin. Ayrıca PC veya akıllı telefonunuzdan da Yardım Kılavuzuna başvurabilirsiniz (bilgileri bu kılavuzun arka kapağında bulabilirsiniz).

## Tanım etiketinin konumu

Televizyon Model No, Üretim Tarihi (yıl/ay) ve Güç Beslemesi nominal değerleri için etiketler televizyonun veya ambalajın arkasında bulunur.

## ÖNEMLİ NOT

### Radyo Ekipmanı Beyanı

Sony Visual Products Inc.,  
KD-85XG8596, KD-75XG8796,  
KD-75XG8599, KD-75XG8596,  
KD-75XG8588, KD-75XG8505, KD-65XG8796, KD-65XG8599,  
KD-65XG8596, KD-65XG8588, KD-65XG8577, KD-65XG8505,  
KD-55XG8796, KD-55XG8599, KD-55XG8596, KD-55XG8588,  
KD-55XG8577, KD-55XG8505 radyo ekipmanı türlerinin 2014/53/  
EU Direktifiyle uyumlu olduğunu beyan etmektedir. AB uyumluluk beyanının tam metni, aşağıdaki internet adresinde mevcuttur:  
<http://www.compliance.sony.de/>

Müşteriler için not: Aşağıdaki bilgiler sadece AB yönetmeliklerini uygulayan ülkelerde satılan cihazlar için geçerlidir.

Bu radyo ekipmanı için kullanıma alma hususunda aşağıdaki kısıtlamalar veya kullanım yetkisi gereksinimleri şunlar için geçerlidir: AT, BE, HR, CY, CZ, DK, EE, FI, FR, DE, EL, HU, IE, IT, LV, LT, LU, MT, NL, PL, PT, SK, SI, ES, SE, UK, IS, LI, NO, CH, BG, RO, TR, AL, BA, MK, MD, RS, ME, Kosova :  
5.150 - 5.350 MHz bandı, sadece iç mekan işlemleriyle sınırlandırılmıştır.



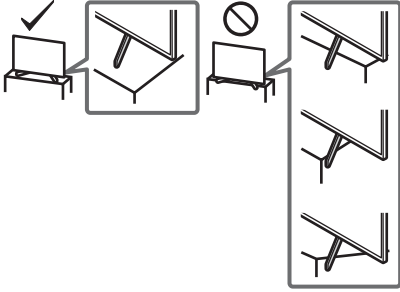
## Güvenlik Bilgileri

### Montaj/Kurulum

Herhangi bir yangın, elektrik çarpması veya hasar ve/veya yaralanma riskini önlemek amacıyla televizyon setini aşağıdaki talimatlarla uygun olarak monte ediniz ve kullanınız.

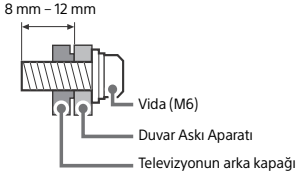
#### Montaj

- Televizyon seti, erişimi kolay bir prizim yakınına monte edilmelidir.
- Televizyonun düşüp yaralanma veya maddi hasara yol açmasını önlemek için televizyon setini sabit, düz bir yüzeye yerleştirin.
- Televizyonu çekilemeyeceği, itilemeyeceği veya devrilemeyeceği bir yere kurun.
- Televizyonu televizyonun Masa Üstü Sehpası televizyon standından (ürünle verilmez) dışarı çıkarmayacak şekilde kurun. Masa Üstü Sehpası televizyon sehpasından dışarı çıkarsa, televizyon standından devrilmesine, düşmesine ve ciddi yaralanmalara veya televizyonun hasar görmesine neden olabilir.

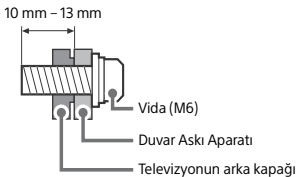


- Duvara monte etme işlemlerini sadece kalifiye servis personeli gerçekleştirmelidir.
- Emniyet nedenlerinden ötürü, Sony aksesuarlarını kullanmanızı önemle tavsiye ederiz, buna aşağıdaki bileşen de dahildir: — Duvar Askı Aparatı SU-WL450
- Duvar Askı Aparatını televizyona takarken, Duvar Askı Aparatını ile verilen vidaları kullandığınızdan emin olun. Ürünle verilen vidalar, şekilde gösterildiği gibi Duvar Askı Aparatının bağlantı yüzeyinden itibaren ölçülerek tasarlanmıştır. Vidaların çapı ve uzunluğu, Duvar Askı Aparatının modeline bağlı olarak değişiklik gösterir. Temin edilmiş vidaların haricinde başka vidaların kullanılması, TV setinin iç kısmının zarar görmesine veya düşmesine vs. neden olabilir.

#### KD-85XG85xx



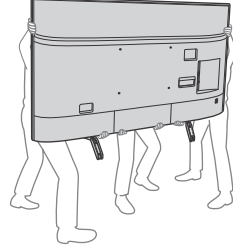
#### KD-75/65/55XG87xx, KD-75/65/55XG85xx



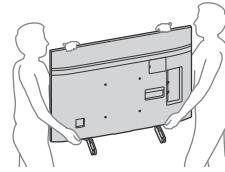
### Nakliye

- Televizyon setini taşımadan önce, tüm kablolarını sökünüz.
- Büyük bir televizyon setini taşımak için iki veya üç kişi (KD-85XG85xx için üç veya dört) gerekir.
- Televizyon elle taşınırken aşağıda gösterildiği şekilde tutun. LCD panele ve ekranın etrafındaki muhafaza kasasına baskı uygulamayınız.
- Televizyon setini kaldırırken veya taşırken, alt kısmından sıkıca tutun.

#### KD-85XG85xx



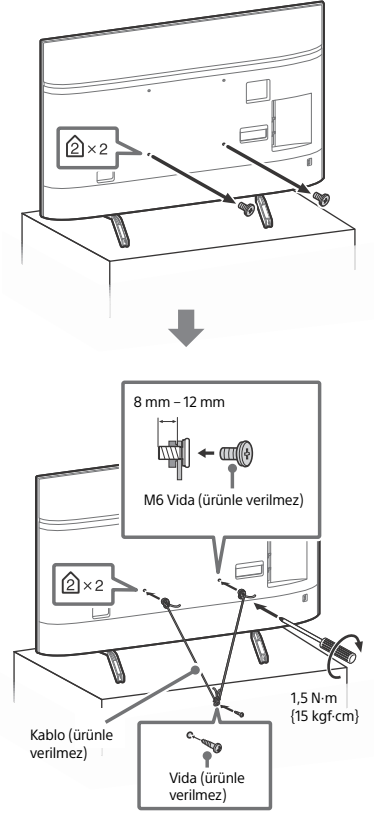
#### KD-75/65/55XG87xx, KD-75/65/55XG85xx



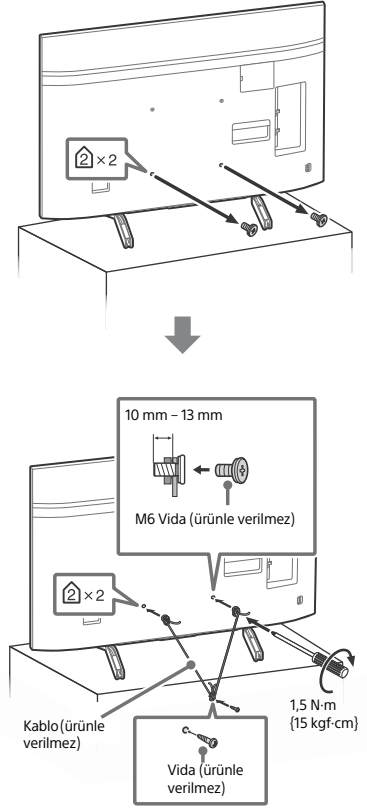
- Televizyon setini taşırken, sarsıntılara ve aşırı titreşimlere maruz bırakmayınız.
- Televizyon setini tamir için taşırken veya yerini değiştirirken, orijinal karton ve ambalaj malzemelerini kullanarak paketleyiniz.

## Devrilmenin önlenmesi

KD-85XG85xx

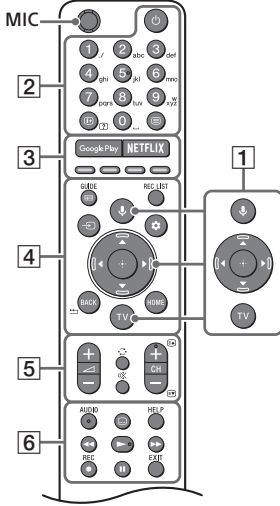


KD-75/65/55XG87xx, KD-75/65/55XG85xx



## Uzaktan Kumanda ve Televizyon

Uzaktan kumandanın şekli, yeri, bulunabilirliği ve uzaktan kumanda düğmesinin çalışma şekli bölgeye/ülkeye/televizyon modeline göre değişir.



1 **🎤 (Mikrofon):** Sesli arama işlevini kullanın. (örn. çeşitli içerikleri sesle arama.)\*1

**▲/▼/◀/▶/⊕/⊖ (Navigasyon D-Pedi):** Ekran üzeri menü navigasyonu ve seçimi.

**TV:** Bir televizyon kanalına geçin veya TV menüsünü görüntüleyin.

2 **🔌 (Televizyon beklemede)**

**Rakam düğmeleri**

**ℹ️/? (Bilgi/Gizli metni göster):** Bilgi gösterir.

**☰ (Teletext):** Teletext bilgisini görüntüler.

3 **Google Play**

**NETFLIX (Sadece belirli bölgelerde/ülkelerde/televizyon modellerinde)**  
**Renkli tuşlar**

4 **GUIDE/☰:** Dijital program kılavuzunu veya kablo/uydu EPG'sini görüntüleyin\*2.

**REC LIST:** USB HDD veya DVR Rec listesini görüntüleyin\*2.

➡️ **(Giriş seçimi):** Giriş kaynağını vs. görüntüleyin ve seçin.

⚙️ **(Hızlı ayarlar):** Hızlı Ayarları Görüntüleyin.

**BACK/⬅️**

**HOME**

5 **🔊 +/- (Ses)**

🔄 **(Atla)**

🔇 **(Sessiz)**

**İpucu**

• Erişilebilirlik kısayolu hizmeti, 🔇 düğmesi basılı tutularak açılabilir veya kapatılabilir.

**CH +/-/⏪/⏩**

Televizyon modundayken: Kanalı seçin.

Teletext modundayken: Sonraki (⏪) veya önceki (⏩) sayfayı seçer.

6 **AUDIO:** Çok dilli kaynağın sesini veya çift ses seçin (program kaynağına bağlı olarak).

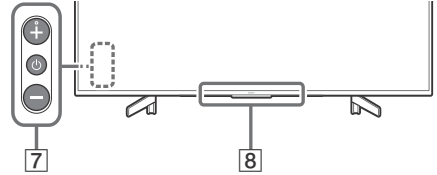
☰ **(Altyazı ayarları)**

**HELP:** Yardım menüsünü gösterir.

⏪/⏩/⏸/⏹

● **REC:** Şu anda görüntülenen programı USB HDD veya DVR'ye kaydedin\*2.

**EXIT**



7 **🔌 (Güç)**

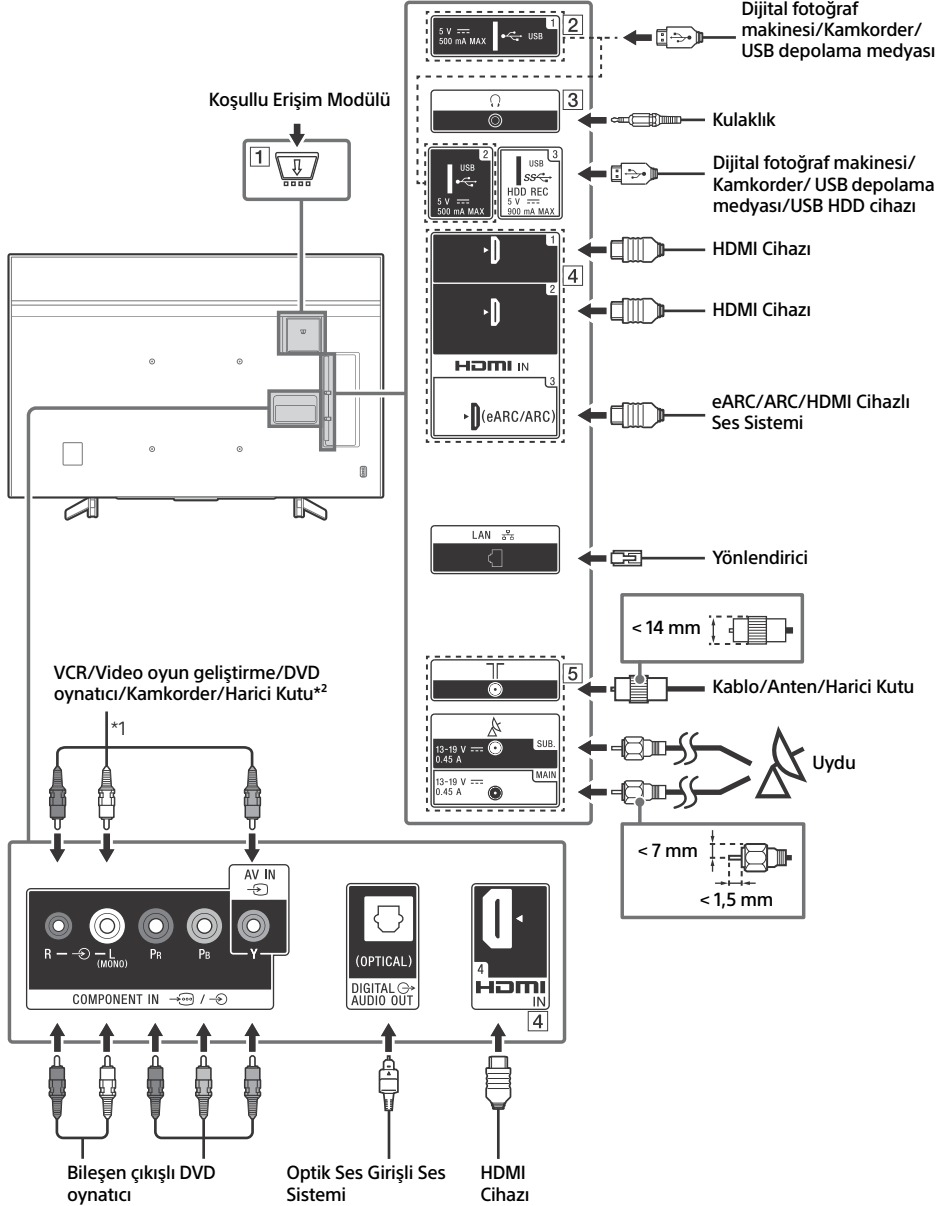
8 **Uzaktan kumanda sensörü / Işık sensörü / Aydınlatma LED'i**

\*1 Sesli arama için bir internet bağlantısı gereklidir.

\*2 [Kablolu/Uydu kutusu ayarı] ayarı gereklidir (sadece belirli bölgelerde/ülkelerde/televizyon modellerinde). Daha fazla bilgi için, Yardım Kılavuzuna başvurun.

# Bağlantı Şeması

Bağlantılarla ilgili daha fazla bilgi için, uzaktan kumandada **HELP** tuşuna basarak Yardım Kılavuzuna başvurun.



### 1 CAM (Koşullu Erişim Modülü)

- Ücretli televizyon hizmetlerine erişim sağlar. Ayrıntılar için CAM ile birlikte verilen kullanım kılavuzuna bakın.
- Akıllı kartı doğrudan televizyonun CAM yuvasına takmayın. Bu, yetkili bayiniz tarafından sağlanan modüle takılmalıdır.
- CAM bazı ülkelerde/bölgelerde desteklenmez. Yetkili bayinize danışın.
- İnternet videosunu kullandıktan sonra bir dijital programa geçtiğinizde bir CAM mesajı görüntülenebilir.

### 2 USB 1/2, USB 3 (HDD REC)\*3

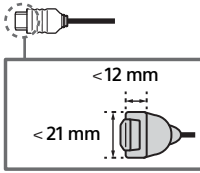
- Büyük bir USB cihazının bağlanması, yanındaki cihazlarla etkileşmesine yol açabilir.
- Büyük USB cihazlarını USB 1 yakına bağlayın.
- USB HDD cihazı USB 3 portuna (mavi) bağlayın.

### 3 (Kulaklık)

- Yalnızca 3 kutuplu stereo mini jakı destekler.
- Sesi aynı anda hem kulaklıktan hem de televizyon hoparlörlerinden alamazsınız.

### 4 HDMI IN 1/2/3/4

- HDMI arabirimi dijital video ve sesi tek bir kablo üzerinden aktarabilir.



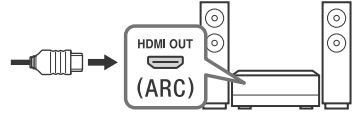
- Yüksek kaliteli 4K 50p/60p içeriklerin keyfini çıkarmak için bir Premium Yüksek Hızlı HDMI kablosu bağlayın ve [HDMI sinyal formatı]'nı [Gelişmiş format] olarak ayarlayın.

Bu ayarı bağlanmış olan her HDMI IN terminalinde tek tek yapın. Desteklenen formatların ayrıntıları için, bu kılavuzdaki "Spesifikasyonlar" bölümüne bakın (sayfa 10-12).

### • HDMI IN 3 eARC/ARC (Enhanced Audio Return Channel/Audio Return Channel)

- Ses sisteminize televizyonun sesini bağlamak için ses sisteminizi HDMI IN 3'ye bağlayın. HDMI eARC/ARC'yi destekleyen bir ses sistemi, televizyona video gönderebilir ve aynı HDMI kablosuyla televizyondan ses alabilir. Ses sisteminiz HDMI eARC/ARC'yi desteklemiyorsa, DIGITAL AUDIO OUT (OPTICAL) ile ek bir bağlantı gereklidir.

- Ses sisteminizi eARC'ye bağlamak için HDMI kablosunu Ethernet'e bağlayın.



### 5 (RF girişi), (Uydu girişi)

- Karasal/kablo yayını ve uydu için bağlantılar. Bağlantı adımları: SUB. → MAIN → Anten
- SUB. yakına, yalnızca, Tek Kablolu Dağıtım EN50494 hariç iki alıcı modu kullanırken bağlayın.

\*1 Mono cihazları L (MONO) ses girişine bağlayın.

\*2 Sadece SCART AV OUT olan bir harici cihaz için, bir SCART-RCA adaptörü kullanın.

\*3 Sadece belirli bölgelerde/ülkelerde/televizyon modellerinde.

# Televizyonu duvara monte etme

## Opsiyonel Duvara Askı aparatını kullanma

Bu televizyonun kullanım kılavuzunda, televizyonu duvara monte etmeden önce televizyonu duvar montajına hazırlama adımları gösterilmiştir.

### Müşterilere:

Ürün koruması ve güvenlik nedenleriyle, Sony televizyonunuzun montajının kesinlikle Sony bayileri veya lisanslı yüklenicileri tarafından yapılmasını önerir. Cihazı kendiniz monte etmeye çalışmayın.

### Sony Bayilerine ve Yüklenicilerine:

Bu ürünün montajı, periyodik bakımı ve muayenesi sırasında emniyete çok dikkat edin.

Bu ürünü kurmak, özellikle de duvarın televizyonun ağırlığına dayanacak güçte olduğunu belirlemek için yeterli uzmanlık gereklidir. Bu ürünün duvara montajını mutlaka Sony bayilerine veya lisanslı yüklenicilerine yaptırın ve montaj sırasında emniyete gerekli dikkati gösterin. Yanlış taşımanın veya hatalı montajın neden olduğu hasar veya yaralanmalardan Sony sorumlu değildir.

Televizyonu duvara monte etmek için Duvar Askı Aparatı SU-WL450 (ürünle verilmmez) kullanın. Duvar Askı Aparatını monte ederken, Duvar Askı Aparatıyla birlikte verilen Kullanım Kılavuzuna ve Montaj Kılavuzuna da başvurun.

### Not

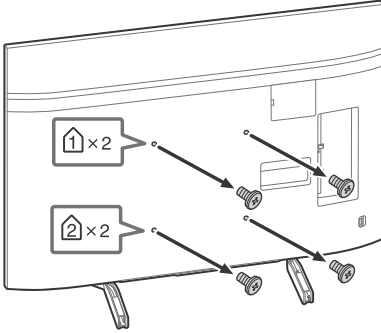
- Sökülen vidaları, çocuklardan uzakta ve güvenli bir yerde sakladığınızdan emin olun.



Duvar Askı Aparatı takma talimatları için Televizyon modelinizin ürün sayfasındaki Kurulum Bilgilerine (Duvar Askı Aparatı) bakın.

[www.sony.eu/support/](http://www.sony.eu/support/)

## Vidaları televizyonunun arkasından sökün.

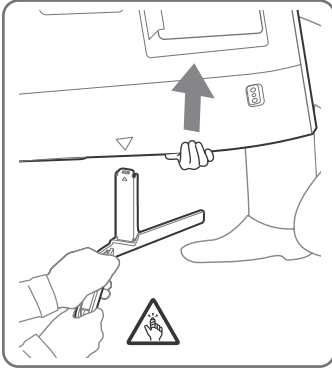
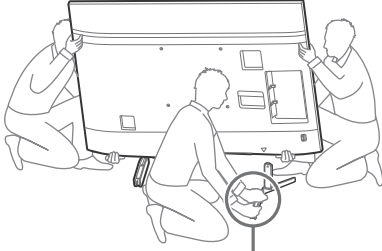




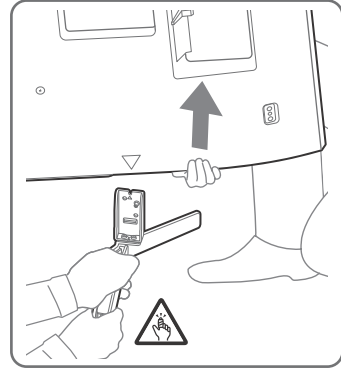
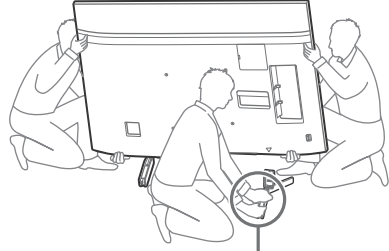
## Masa Üstü Sehpanın televizyondan ayrılması

- 1 Masa Üstü Sehpanın bir tarafını bir seferde kaldırın. Diğer insanlar televizyonu kaldırırken iki elinizle Masa Üstü Sehpayı sıkıca ve güvenli bir şekilde tutun.

KD-85XG85xx



KD-75/65/55XG87xx, KD-75/65/55XG85xx



- 2 Önceki adımı tekrarlayın ve Masa Üstü Sehpanın diğer tarafını kaldırın.

### Not

- Masa Üstü Sehpadan ayırmak için üç veya daha fazla insan gereklidir.
- Masa Üstü Sehpayı televizyondan ayırırken aşırı güç uygulamayın; çünkü televizyon setinin düşmesine ve dolayısıyla fiziksel yaralanma veya televizyonun hasar görmesine neden olabilirsiniz.
- Televizyona hasar gelmesini engellemek için Masaüstü Sehpayı kaldırırken dikkatli olun.
- Masa Üstü Sehpası sökme işlemi sırasında televizyonu kaldırırken dikkatli olun; Masa Üstü Sehpası devrilebilir ve yaralanmalara neden olabilir.
- Masa Üstü Sehpasını televizyondan sökerken çıkarırken devrilmemesi ve televizyonun oturduğu yüzeye zarar vermemesi için dikkatli olun.

## Sorun Giderme

Siyah ekran, ses yok, donmuş görüntü, televizyon yanıt vermiyor ya da ağ kaybedildi gibi sorunlar için genel sorun giderme amacıyla aşağıdaki adımları izleyin.

- 1 Bir mesaj görüntülenene kadar uzaktan kumanda üzerindeki güç düğmesine basarak televizyonu yeniden başlatın. Televizyon yeniden başlatılacaktır. Televizyon düzelmeyorsa, ana elektrik kablosunu prizden çıkarın. Ardından televizyonun güç düğmesine basın ve iki dakika bekleyin ve ana elektrik kablosunu takın.
- 2 Uzaktan kumandada **HELP** tuşuna basarak Yardım menüsüne başvurun.
- 3 Televizyonunuzu İnternete bağlayın ve bir yazılım güncellemesi gerçekleştirin. Sony,televizyonunuzun yazılımını hep güncel tutmanızı tavsiye eder. Yazılım güncellemeleri, televizyon performansınızı geliştirir ve yeni özellikler ekler.
- 4 Sony destek web sitesini ziyaret edin (bilgiler bu kılavuzun ön kapağında verilmiştir).

**Televizyonun fişini takıp tekrar çıkarttığınızda, uzaktan kumandadaki veya televizyondaki güç düğmesine basmanız bile televizyon bir süre açılmayabilir.**

Sistemini başlatılması zaman alır. Yaklaşık bir dakika bekleyip tekrar çalıştırın.

## Sorunlar ve Çözümleri

**Aydınlatma LED'i kırmızı yanıp söndüğü zaman.**

- Kaç kez yanıp söndüğünü sayın (zaman aralığı üç saniyedir). Aydınlatma LED'i kırmızı renkte yanıp sönmeyi durdurana kadar ana elektrik kablosunun bağlantısını kesip yeniden bağlayın ve ardından televizyonu açın. Sorun devam ederse, ana elektrik kablosu bağlantısını kesin ve aydınlatma LED'inin kaç kez yanıp söndüğü bilgisiyle birlikte bayinize ya da Sony servis merkezine başvurun.

**Yerden/kablolu servis alınmıyor.**

- Anten/kablo bağlantısını ve güçlendirici ayarlarını kontrol edin.
- Uzaktan kumanda üzerinde **TV** düğmesine basarak karasal/kablo hizmetini seçin ve ardından, yayın görüntülenemiyorsa [Dijital] seçeneğini seçin.

- Yakınlarda sağlanan güçlü bir sinyal varsa, yer sinyali bastırılabilir. Dijital ince ayarlarda [LNA (CH ---)] seçeneğini [Kapalı] olarak ayarlayın.
- Yeni bir eve taşındıktan ya da yeni servisler almaya çalıştıktan sonra, [Dijital ayarlar] seçeneğini seçerek bir servis araması yapın.

**Uydu servisi alınmıyor.**

- Uydu kablosu bağlantısını kontrol edin.
- [Sinyal yok. LNB yüksek yüklenim tespit edildi...] mesajı görüntülediği zaman, ana elektrik kablosunu sökün. Ardından uydu kablosunun hasar görmemiş olduğundan ve uydu konektöründe uydu sinyalinin kısa devre yapmamış olduğundan emin olun.

**Uzaktan kumanda çalışmıyor.**

- Pilleri değiştirin.

**Yayın için ebeveyn kilidi şifresi unutuldu.**

- PIN kodu olarak 9999 girin ve [PIN Kodunu değiştirin] seçeneğini seçin.

**Televizyonun çevresi ısınıyor.**

- Televizyon uzun süre kullanıldığında, televizyonun çevresi ısınır. Ellediğinizde sıcaklığı hissedebilirsiniz.

## Spesifikasyonlar

### Sistem

Panel Sistemi

LCD (Sıvı Kristal Ekran) Panel, LED'li arkadan aydınlatma

Televizyon Sistemi

Ülkenize/alan seçiminize/televizyon modelinize bağlı olarak

Analog: B/G, D/K, I

Dijital: DVB-T/DVB-C

DVB-T2\*1

Uydu\*1: DVB-S/DVB-S2

Renk Sistemi

PAL/SECAM/NTSC3.58 (Sadece video)/NTSC4.43 (Sadece video)

Kanal kapsamı

Ülkenize/alan seçiminize/televizyon modelinize bağlı olarak

Analog: UHF/VHF/Kablolu

Dijital: UHF/VHF/Kablolu

Uydu\*1: IF Frekansları 950-2.150 MHz

Ses çıkışı

10 W + 10 W

Kablosuz teknolojisi

IEEE802.11ac/a/b/g/n protokolü

(IEEE802.11ac ülkeye/bölgeye bağlı olarak bulunmayabilir.)

Bluetooth Sürümü 4.2

## Frekans bandı/bantları

Kablosuz LAN (IEEE802.11ac/a/b/g/n)	
Frekans aralığı	Çıkış Gücü
2.400-2.483,5 MHz	< 20,0 dBm
5.150-5.250 MHz	< 23,0 dBm
5.250-5.350 MHz	< 20,0 dBm
5.470-5.725 MHz	< 20,0 dBm
5.725-5.850 MHz	< 13,9 dBm

Bluetooth	
Frekans aralığı	Çıkış Gücü
2.400-2.483,5 MHz	< 10,0 dBm

## RFM-TX600E/TX500E

Bluetooth	
Frekans aralığı	Çıkış Gücü
2.400-2.483,5 MHz	< 10,0 dBm

## Yazılım sürümü

Bu radyo ekipmanının, AB Uyumluluk Beyanında belirtilen onaylanmış yazılım sürümü ile kullanılması amaçlanmıştır. Yazılım sürümünü öğrenmek için uzaktan kumandada **HELP** tuşuna basın.

Uzaktan kumanda: **HELP**

[Ayarlar] Menüünden [Uzaktan kumanda] → [Yazılım sürümü] seçeneğini seçin. Daha fazla bilgi için, Yardım Kilavuzuna başvurun.

Bu radyo ekipmanına yüklenen sürümün 2014/53/EU Direktifinin temel gereksinimleri ile uyumlu olduğu doğrulanmıştır.

## Giriş/Çıkış jackları

### Anten/kablo

VHF/UHF için 75 ohm harici terminal

### Uydu anteni<sup>1)</sup>

Dişi F tipi Konektör, 75 ohm.

DiSEqC 1.0, LNB 13 V/18 V ve 22 kHz ton, Tek Kablo Dağıtımını EN50494.

### COMPONENT IN

YPeP<sub>s</sub> (Component Video): 1080p (50, 60 Hz), 1080i (50, 60 Hz), 720p (50, 60 Hz), 576p, 576i, 480p, 480i

Ses girişi (RCA jacklar)

### AV IN

Video girişi (Y girişli ortak RCA pini)

HDMI IN 1/2/3/4 (4K çözünürlüğü destekler, HDCP

2.3-uyumlu)

Video:

4096 × 2160p (50, 60 Hz)<sup>2+3</sup>, 4096 × 2160p (24 Hz)<sup>2</sup>, 3840 × 2160p (50, 60 Hz)<sup>3</sup>, 3840 × 2160p (24, 25, 30 Hz), 1080p (30, 50, 60 Hz), 1080/24p, 1080i (50, 60 Hz), 720p (30, 50, 60 Hz), 720/24p, 576p, 480p, PC Formatları<sup>4</sup>

Ses:

eARC (Enhanced Audio Return Channel) modunda<sup>5</sup>

Ayrıntılar için Yardım Kilavuzuna bakın.

eARC modu hariç

5,1 kanal doğrusal PCM: 32/44,1/48/88,2/96/176,4/192 kHz 16/20/24 bit, Dolby Digital, Dolby Digital Plus, DTS

eARC/ARC (Enhanced Audio Return Channel/Audio Return Channel) (sadece HDMI IN 3)

eARC modunda<sup>5</sup>

Ayrıntılar için Yardım Kilavuzuna bakın.

ARC modunda

İki kanal doğrusal PCM: 48 kHz 16 bit, Dolby Digital, Dolby Digital Plus, DTS

### DIGITAL AUDIO OUT (OPTICAL)

Dijital optik jak (iki kanal doğrusal PCM: 48 kHz 16 bit, Dolby Digital, DTS)

## (Stereo Mini Jak)

Kulaklık

1, 2, 3 (HDD REC)<sup>6</sup>

USB cihaz portu (S<sup>9</sup>) 3 Kayıt özelliği için USB HDD cihazı

1 ve 2 USB portu High Speed USB<sup>7</sup>'yi (USB 2.0) destekler

3 USB portu Super Speed USB<sup>7</sup>'yi (USB 3.1 Gen 1) destekler



CAM (Koşullu Erişim Modülü) yuvası

LAN

10BASE-T/100BASE-TX konektörü (Ağın çalışma ortamına bağlı olarak bağlantı hızı değişebilir. İletişim hızı ve iletişim kalitesi garanti edilmez.)

## Diğer

Opsiyonel aksesuarlar

Duvar Askı Aparatı: SU-WL450

Çalışma sıcaklığı

0 °C ila 40 °C

Çalışma nemi

% 10 ila % 80 bağıl nem (yoğuşmasız)

## Güç, Ürün Fişi ve diğerleri

Güç gereksinimleri

220 V - 240 V AC, 50 Hz

Enerji Verimliliği Sınıfı

KD-85XG85xx: A

KD-75XG87xx / KD-75XG85xx: A+

KD-65XG87xx / KD-65XG85xx: A

KD-55XG87xx / KD-55XG85xx: A

Ekran boyutu (çarpraz ölçü) (yakl.)

KD-85XG85xx: 214,8 cm / 85 inç

KD-75XG87xx / KD-75XG85xx: 189,3 cm / 75 inç

KD-65XG87xx / KD-65XG85xx: 163,9 cm / 65 inç

KD-55XG87xx / KD-55XG85xx: 138,8 cm / 55 inç

Güç tüketimi

[Standart] modunda

KD-85XG85xx: 216 W

KD-75XG87xx / KD-75XG85xx: 158 W

KD-65XG87xx / KD-65XG85xx: 127 W

KD-55XG87xx / KD-55XG85xx: 111 W

[Canlı] modunda

KD-85XG8596: 362 W

KD-75XG8796: 275 W

KD-75XG8599: 275 W

KD-75XG8596: 275 W

KD-75XG8588: 275 W

KD-75XG8505: 275 W

KD-65XG8796: 221 W

KD-65XG8599: 221 W

KD-65XG8596: 221 W

KD-65XG8588: 221 W

KD-65XG8577: 221 W

KD-65XG8505: 221 W

KD-55XG8796: 186 W

KD-55XG8599: 186 W

KD-55XG8596: 186 W

KD-55XG8588: 186 W

KD-55XG8577: 186 W

KD-55XG8505: 186 W

Yıllık enerji tüketimi<sup>\*7</sup>

KD-85XG85xx: yılda 300 kWh

KD-75XG87xx / KD-75XG85xx: yılda 219 kWh

KD-65XG87xx / KD-65XG85xx: yılda 176 kWh

KD-55XG87xx / KD-55XG85xx: yılda 154 kWh

Bekleme modunda güç tüketimi<sup>\*8+9</sup>

0,50 W (Yazılım/EPG güncelleme modunda 25 W)

Görüntü çözünürlüğü

3.840 nokta (yatay) × 2.160 satır (dikey)

Nominal çıkış

USB 1/2

5 V ---, 500 mA maks.

USB 3

5 V ---, 900 mA maks.

## Boyutlar (yakl.) (g × y × d)

Masa Üstü Sehpası ile

KD-85XG85xx: 190,9 × 117,5 × 43,3 cm

KD-75XG87xx / KD-75XG85xx: 167,3 × 103,1 × 35,8 cm

KD-65XG87xx / KD-65XG85xx: 145,0 × 89,9 × 31,6 cm

KD-55XG87xx / KD-55XG85xx: 123,1 × 77,6 × 31,6 cm

## Masa Üstü Sehpaı olmadan

KD-85XG85xx: 190,9 × 109,7 × 8,0 cm  
KD-75XG87xx / KD-75XG85xx: 167,3 × 96,3 × 5,4 cm  
KD-65XG87xx / KD-65XG85xx: 145,0 × 83,6 × 5,2 cm  
KD-55XG87xx / KD-55XG85xx: 123,1 × 71,3 × 5,2 cm

## Ağırlık (yakl.)

### Masa Üstü Sehpaı ile

KD-85XG85xx: 49 kg  
KD-75XG87xx / KD-75XG85xx: 39,3 kg  
KD-65XG87xx / KD-65XG85xx: 26,3 kg  
KD-55XG87xx / KD-55XG85xx: 19,7 kg

### Masa Üstü Sehpaı olmadan

KD-85XG85xx: 46,5 kg  
KD-75XG87xx / KD-75XG85xx: 37,8 kg  
KD-65XG87xx / KD-65XG85xx: 25,3 kg  
KD-55XG87xx / KD-55XG85xx: 18,7 kg

- \*1 DVB-T2 ya da DVB-S/S2 teknolojisi veya uydu anten terminali tüm televizyon setlerinde bulunmaz.
- \*2 Giriş 4096 × 2160p olduğunda ve [Geniş Mod] [Normal] olarak ayarlandığında, çözünürlük 3840 × 2160p olarak gösterilir. 4096 × 2160p olarak görüntülemek için [Geniş Mod]'i [Full 1] veya [Full 2] olarak ayarlayın.
- \*3 18 Gbps'i desteklemek için [HDMI sinyal formatı]'ı [Gelişmiş format] olarak ayarlayın.
- \*4 Ayarlar için Yardım Kılavuzuna bakın.
- \*5 eARC modu, [eARC modu] ögesi [Otomatik] olarak ayarlandığında, [Hoparlör] ögesi [Ses sistemi] olarak ayarlandığında ve eARC uyumlu ses sistemi bağlandığında aktif olur.
- \*6 Sadece belirli bölgelerde/ülkelerde/televizyon modellerinde.
- \*7 Televizyonun 365 gün boyunca günde 4 saat çalıştığındaki güç tüketimi baz alındığında kWh cinsinden yıl başına enerji tüketimidir. Gerçek enerji tüketimi televizyonun nasıl kullanıldığında bağlı olarak değişecektir.
- \*8 Belirtilen bekleme durumundaki güce, sadece televizyon gerekli dahili işlemleri tamamladıktan sonra ulaşılır.
- \*9 Televizyon ağı bağlandığında bekleme modundaki güç tüketimi artar.

## Not

- Sahte kartı veya kapağı (kullanılabilirlik televizyonun modeline bağlıdır) TV CAM (Koşullu Erişim Modülü) yuvasından, CAM'e takılan bir akıllı kartı yerleştirmek haricinde herhangi bir amaçla çıkartmayın.
- Opsiyonel aksesuarlar ülkeye/bölgeye/televizyon modeline/stok durumuna göre bulunur.
- Tasarım ve spesifikasyonlarda bilgi vermeksizin değişiklik yapılabilir.

## Dijital TV fonksiyonu hakkında

- Dijital TV (DVB karasal, uydu ve kablo), interaktif hizmetler ve ağ işlevleri tüm ülkelerde veya bölgelerde kullanılamayabilir. Bazı işlevler etkinleştirilemeyebilir veya bazı sağlayıcılar ve ağ ortamlarında düzgün çalışmayabilir. Bazı TV hizmeti sağlayıcıları, hizmetleri için bir ücret talep edebilir.
- Bu TV, MPEG-2, H.264 / MPEG-4 AVC ve H.265 / HEVC kodlayıcı-kod çözücülerini kullanarak dijital yayını desteklemektedir; ancak, zaman içinde değişebilecek olan tüm operatör / servis sinyalleriyle uyumluluk garanti edilemez.

## Ticari markaya ilişkin bilgi

- HDMI ve HDMI High-Definition Multimedia Interface terimleri ve HDMI Logosu, HDMI Licensing Administrator, Inc. şirketinin ABD'deki ve diğer ülkelerdeki ticari markası ya da tescilli markasıdır.
- Dolby, Dolby Vision, Dolby Audio ve çift D sembolü, Dolby Laboratories'ın ticari markalarıdır. Dolby Laboratories lisansı altında üretilmiştir. Gizli yayınlanmayan çalışmalar. Telif hakkı © 1992-2015 Dolby Laboratories. Tüm hakları saklıdır.
- "BRAVIA", BRAVIA ve BRAVIA Sync, Sony Corporation'ın ticari markaları veya tescilli ticari markalarıdır.
- Gracenote, Gracenote logosu ve logo türü, "Powered by Gracenote" logosu, Gracenote Inc.'nin Amerika Birleşik Devletleri ve/veya diğer ülkelerde tescilli ticari markaları veya ticari markalarıdır.
- Vewd® Core. Copyright 1995-2019 Vewd Software AS. All rights reserved.

- Google, Google Play, Chromecast, YouTube, Android TV ve diğer ilgili işaretler ve logolar Google LLC kuruluşunun ticari markalarıdır.
- Wi-Fi®, Wi-Fi Alliance® ve Wi-Fi Direct®, Wi-Fi Alliance'in tescilli ticari markalarıdır.
- Wi-Fi CERTIFIED™ Logosu, Wi-Fi Alliance'in sertifikasyon işaretidir.
- DTS patentleri için, <http://patents.dts.com> adresini ziyaret edin. DTS, Inc.'in lisansı altında üretilmiştir. DTS, Sembol, & DTS ve Sembol birlikte tescilli ticari markalarıdır ve DTS Digital Surround DTS, Inc.'in ticari markasıdır. © DTS, Inc. Tüm Hakları Saklıdır.
- Bluetooth® kelime markası ve logoları Bluetooth SIG, Inc. şirketinin tescilli ticari markalarıdır ve bu tip markalar Sony Corporation tarafından lisansla kullanılmaktadır. Diğer ticari markalar ve ticari adları ilgili sahiplerine aittir.
- Netflix, Netflix, Inc.'nin tescilli ticari markasıdır.
- DiSEqC™, EUTELSAT'ın bir ticari markasıdır. Bu televizyon DiSEqC 1.0'ı destekler. Bu televizyon motorlu antenleri kumanda etmek için tasarlanmamıştır.
- TUXERA, A.B.D. ve diğer ülkelerde Tuxera Inc.'in tescilli ticari markasıdır.
- USB-IF SuperSpeed USB Trident logosu, USB Implementers Forum, Inc. şirketinin bir tescilli ticari markasıdır. 
- Diğer bütün ticari markalar ilgili sahiplerinin mülkiyetindedir.









[http://rd1.sony.net/help/tv/gaep2/h\\_aep/](http://rd1.sony.net/help/tv/gaep2/h_aep/)

Help Guide/Guide d'aide/Guía de ayuda/  
Helpgids/Hilfe/Guia de ajuda/Guida/  
Hjälpguide/Hjælpevejledning/Käyttöopas/  
Hjelpeveiledning/Przewodnik pomocniczy/  
Uživatelská příručka/Príručka/Súgóútmutató/  
Ghid de asistență/Помощно ръководство/  
Οδηγός βοήθειας/Yardımlar Kılavuzu

<http://www.sony.net/>

© 2019 Sony Visual Products Inc.